


Bestway®

www.bestwaycorp.com
Visit Bestway YouTube channel 



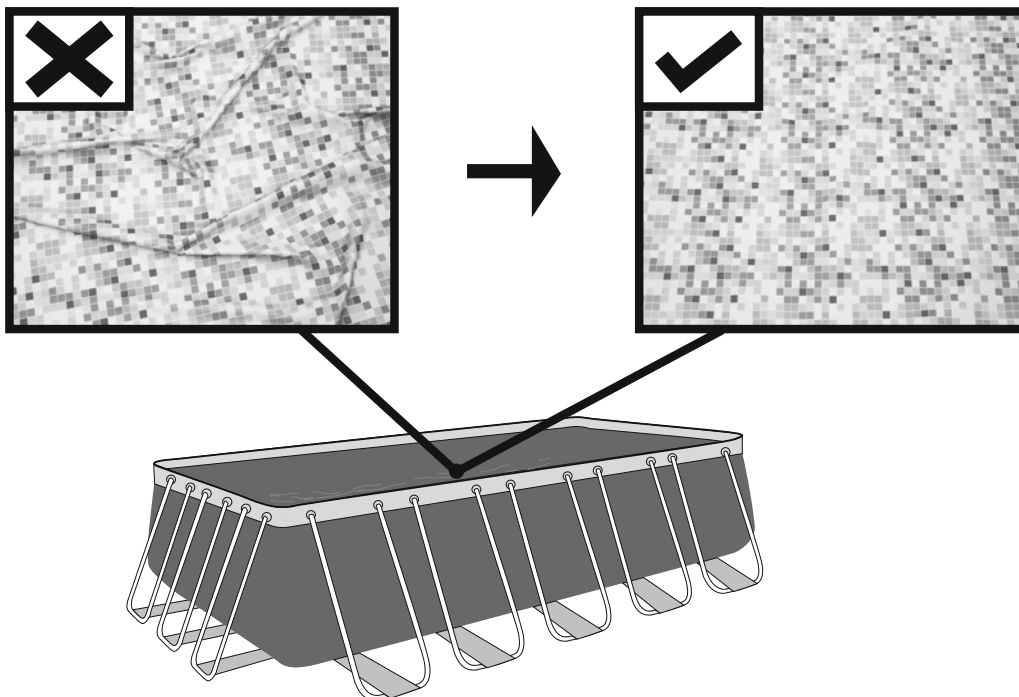


WARNING / ATENÇÃO / ADVERTENCIA / ACHTUNG / VAROITUS WAARSCHUWING / AVVERTENZA / ATTENTION / ΠΡΟΕΙΔΟΠΟΙΗΣΗ ВНИМАНИЕ / OSTRZEŻENIE / FIGYELMEZTETÉS / VARNING

smooth out the bottom
suavizar o fundo
suavizar la parte inferior
glätten den Boden
tasoittaa pohjaan

glad uit de bodem
appianare il fondo
lisser le fond
ΕΞΟΜΑΛΥΝΕΙ ΤΟ ΠΥΘΜΕΝΑ
Распрavьте дно

wygładzić dna
elsimítására az alsó
jämna ut botten



Put 1" to 2" water in the pool to cover the floor. Once pool floor is slightly covered, gently smooth out all wrinkles. Start in the center of the pool and work your way clockwise to the outside.

Encher a piscina com uma quantidade de água suficiente para cobrir a superfície (de 2 a 5 cm). Uma vez que a superfície estiver levemente coberta, eliminar todas as dobras presentes, começando pelo centro da piscina e continuando, no sentido horário, em direção à parte externa.

Ponga de 1" a 2" de agua en la piscina para cubrir el suelo. Cuando la piscina esté un poco cubierta, alise suavemente las arrugas. Comience desde el centro de la piscina y trabaje en sentido horario hacia el exterior.

Füllen Sie 1" bis 2" Wasser in den Pool, so dass der Boden bedeckt ist. Glätten Sie vorsichtig alle Falten sobald der Poolboden leicht bedeckt ist. Beginnen Sie in der Mitte des Pools und arbeiten Sie im Uhrzeigersinn zur Außenseite.

Laita altaaseen 2,5 - 5cm:n kerros vettä pohjan peittämiseksi. Kun altaan pohja on peittynyt, silitä varovasti kaikki rypyt. Aloita keskeltä ja etene myötäpäivään laidoille.

Doe 1" tot 2" water in het zwembad, net voldoende om de bodem onder water te zetten. Wanneer dit gebeurd is worden alle rimpels voorzichtig gladgestreken. Begin in het midden van het zwembad en ga zo rechtsom naar de rand toe.

Riempire la piscina con una quantità d'acqua sufficiente a coprire la superficie (da 2,5 a 5cm) Una volta piscina verso l'esterno muovendosi in senso orario. eseguita questa operazione, eliminare tutte le pieghe presenti sulla superficie partendo dal centro della.

Mette quelques centimètres d'eau dans la piscine pour couvrir le sol. Une fois que le sol de la piscine est légèrement recouvert, lissez tous les plis. Commencez par le centre de la piscine et continuez dans le sens des aiguilles d'une montre vers l'extérieur.

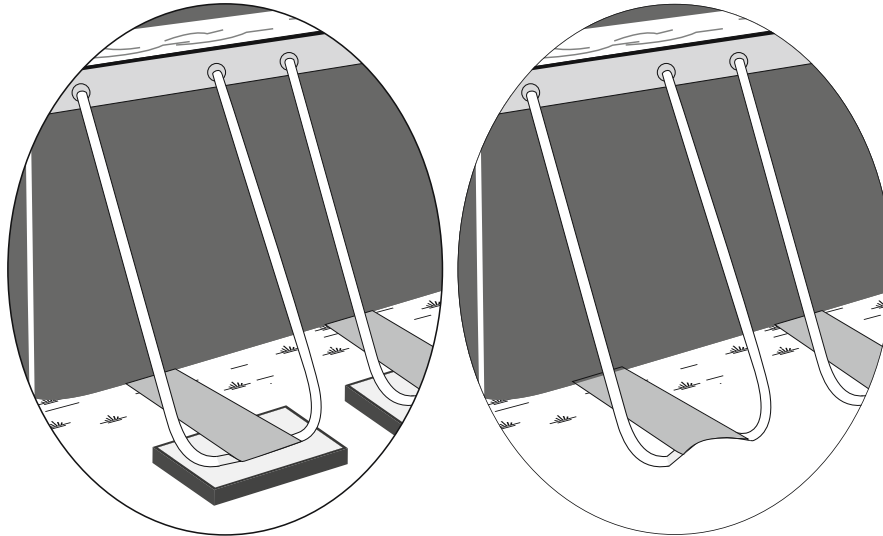
ΒΑΛΤΕ 1" ΕΩΣ 2" ΝΕΡΟ ΣΤΗΝ ΠΙΣΙΝΑ ΓΙΑ ΝΑ ΚΑΛΥΨΕΤΕ ΤΟ ΠΑΤΩΜΑ. ΜΟΛΙΣ ΚΑΛΥΦΘΕΙ ΕΛΑΦΡΑ ΤΟ ΠΑΤΩΜΑ ΤΗΣ ΠΙΣΙΝΑΣ, Ο ΕΓΚΑΤΑΣΤΑΤΗΣ ΠΡΕΠΕΙ ΝΑ ΙΣΙΩΣΕΙ ΟΛΕΣ ΤΙΣ ΠΤΥΧΕΣ. ΞΕΚΙΝΗΣΤΕ ΑΠΟ ΤΟ ΚΕΝΤΡΟ ΤΗΣ ΠΙΣΙΝΑΣ ΚΑΙ ΣΥΝΕΧΙΣΤΕ ΔΕΞΙΟΣΤΡΟΦΑ ΠΡΟΣ ΤΑ ΕΞΩ.

Налейте немного воды в бассейн так, чтобы она покрывала дно на 3-5 сантиметров. Когда вода налита, аккуратно расправьте складки dna. Начинайте с центра бассейна и двигайтесь к краям по часовой стрелке.

Puść wodę do basenu o głębokości 1" - 2", aby jej warstwa zakryła dna basenu. Jeśli dna basenu jest już trochę zakryte wodą, delikatnie wygładź wszystkie jego fałdy. Zaczynj od środka basenu i idąc w kierunku zgodnym z ruchem wskazówek zegara, podążaj do brzegu basenu.

A medencébe engedjen 1" - 2" mélyiségű vizet, hogy az a medence fenekét befedje. Ha a medence alján egy kis mennyiségű víz található, a gyűrődéseket finoman egyenesítse ki. A medence közepétől kezdje és az óramutató járásával megegyezően haladjon a medence szélé felé.

Häll 1" till 2" vatten i poolen för att täcka golvet. Då poolgolvet är något täckt, ska du släta ut alla veck. Börja i mitten av poolen och arbeta dig medsols utåt.



Do not assemble on soft lawn. If you must assemble the pool on a soft surface, timber boards must be placed under the feet of the vertical supports to spread the load.

Não monte num relvado macio. Se necessitar de montar a piscina numa superfície macia, as placas de madeira devem ser colocadas sob os pés dos suportes verticais para distribuir o peso.

No la monte sobre un terreno blando. Si debe montar la piscina sobre un terreno blando, coloque tableros de madera bajo los pies de los soportes verticales para repartir el peso.

Bitte beachten Sie beim Aufstellen, dass weicher Rasen als Untergrund ungeeignet ist. Bei weichem Untergrund müssen Bretter unter die Füße der vertikalen Träger als Lastverteilung gelegt werden.

Ärge pange kokku pehmel murul. Kui olete sunnitud basseini kokku panema pehmel pinnal, tuleb koormuse jaotamiseks asetada vertikaaltugede jalgade alla puitlaud.

Niet monteren op een zacht gazon. Indien u het zwembad moet monteren op een zacht oppervlak moeten er houten plankjes onder de voeten van de verticale steunen geplaatst worden om de belasting te spreiden.

Non montare su prati soffici. Se la piscina deve essere montata su una superficie morbida, collocare assi di legno sotto i piedi dei supporti verticali per distribuire il carico.

Ne montez pas la piscine sur une pelouse qui s'enfonce. Si vous devez monter la piscine sur une surface molle, il faut placer des planches en bois sous les pieds des supports verticaux pour répartir la charge.

ΜΗΝ ΣΥΝΑΡΜΟΛΟΓΗΣΕΤΕ ΠΑΝΩ ΣΕ ΜΑΛΑΚΟ ΓΚΑΖΟΝ. ΕΑΝ ΠΡΕΠΕΙ ΝΑ ΣΥΝΑΡΜΟΛΟΓΗΣΕΤΕ ΤΗΝ ΠΙΣΙΝΑ ΠΑΝΩ ΣΕ ΜΙΑ ΜΑΛΑΚΗ ΕΠΙΦΑΝΕΙΑ, ΠΡΕΠΕΙ ΝΑ ΤΟΠΟΘΕΤΗΘΟΥΝ ΣΑΝΙΔΕΣ ΚΑΤΩ ΑΠΟ ΤΑ ΠΕΛΜΑΤΑ ΤΩΝ ΚΑΘΕΤΩΝ ΣΤΗΡΙΓΜΑΤΩΝ ΓΙΑ ΝΑ ΜΟΙΡΑΣΤΕΙ ΤΟ ΦΟΡΤΙΟ.

Не собирать на мягкой поверхности лужайки. Если нужно собрать бассейн на мягкой поверхности, то необходимо поместить деревянные доски под опоры вертикальных стоек для равномерного распределения веса.

Nie rozkładać produktu na miękkim trawniku. Produkt należy rozkładać na gładkiej powierzchni, w celu rozłożenia ciężaru, pod nóżkami pionowych wsporników należy umieścić drewniane deski.

Ne szerezje össze puha gyepen. Ha lágy felületen kell összeszerelni a medencét, fa léceket kell a függőleges tartóelemek talpai alá helyezni, hogy eloszlassa a terhelést.

Montera ej på mjuk gräsmatta. Om du måste montera poolen på mjukt underlag, måste plankor läggas ut under fötterna på de vertikala stöden för att fördela trycket.

NO.	#56629:#56631	#56441:#56251:#56426:#56442:#56660	#56456:#56458:#56457:#56661	#56670:#56672:#56671:#56673
	2.82m x 1.96m x 84cm (9'3" x 6'5" x 33")	4.04m x 2.01m x 1.00m (13'3" x 6'7" x 39.5")	4.12m x 2.01m x 1.22m (13'6" x 6'7" x 48")	4.88m x 2.44m x 1.22m (16' x 8' x 48")
A	2	2	2	2
B	2	2	2	2
C	2	2	2	0
D	2	2	2	2
E	0	2	2	2
F	0	0	0	4
G	4	4	4	4
H	4	6	6	12
I	4	4	4	0
J	4	6	6	8
K	8	8	8	8
L	16	20	20	24
M	16	20	20	24
N	1	1	1	1
O	2	2	2	2
P	1	1	1	1
Q	1	1	1	1
R	0	0	0	0
S	0	0	0	0
T	0	0	0	0
A	P61356	P61356	P61356	P61748
B	P61357	P61357	P61357	P61749
C	P61358	P61358	P61358	/
D	P61359	P61359	P61359	P61280
E	/	P61360	P61360	P61281
F	/	/	/	P61370
G	P61361	P61361	P61361	P61282
H	P61573	P61362	P61368	P61283
I	P61574	P61363	P61369	/
J	P61364	P61364	P61364	P61284
K	P61365	P61365	P61365	P61285
L	P61366	P61366	P61366	P61286
M	P61367	P61367	P61367	P61287
N	56629ASS18	56251ASS18	56241ASS18	56670ASS18
O	P6H1418	P6H1418	P6H1418	P6H1418
P	P6H1419	P6H1419	P6H1419	P6H1419
Q	P6H1158	P6H1158	P6H1158	P6H1158
R	/	/	/	/
S	/	/	/	/
T	/	/	/	/

NO.	#56626:#56628	#56465:#56467:#56466:#56468	#56470:#56471:#56473:#56662	#56474:#56475:#56476:#56477	#56623:#56625
	4.88m x 4.88m x 1.22m (16' x 16' x 48")	5.49m x 2.74m x 1.22m (18' x 9' x 48")	6.71m x 3.66m x 1.32m (22' x 12' x 52")	7.32m x 3.66m x 1.32m (24' x 12' x 52")	9.56m x 4.88m x 1.32m (31'4" x 16' x 52")
A	0	4	6	8	12
B	0	2	2	2	2
C	0	2	2	2	2
D	4	2	2	2	2
E	4	2	2	2	2
F	8	0	2	2	4
G	4	4	4	4	4
H	16	12	16	18	24
I	0	0	0	0	0
J	12	8	12	14	20
K	8	8	8	8	8
L	32	24	32	36	48
M	32	24	32	36	48
N	1	1	1	1	1
O	0	0	0	0	0
P	1	1	1	1	1
Q	1	1	1	1	1
R	2	2	2	2	2
S	1	1	1	1	1
T	1	1	1	1	1
A	/	P61277	P61277	P61371	P61371
B	/	P61278	P61278	P61372	P61372
C	/	P61279	P61279	P61373	P61373
D	P61280	P61280	P61389	P61389	P61280
E	P61281	P61281	P61390	P61390	P61281
F	P61370	/	P61391	P61391	P61370
G	P61282	P61282	P61282	P61282	P61282
H	P61283	P61283	P61392	P61392	P61392
I	/	/	/	/	/
J	P61284	P61284	P61284	P61284	P61284
K	P61285	P61285	P61285	P61285	P61285
L	P61286	P61286	P61286	P61286	P61286
M	P61287	P61287	P61287	P61287	P61287
N	56626ASS17	56223ASS17	56272ASS17	56229ASS17	56338ASS18
O	/	/	/	/	/
P	P6H1419	P6H1419	P6H1419	P6H1419	P6H1419
Q	P6H1158	P6H1158	P6H1158	P6H1158	P6H1158
R	P6(H1)510	P6(H1)510	P6(H1)510	P6(H1)510	P6(H1)510
S	P6H1323	P6H1323	P6H1323	P6H1323	P6H1323
T	P6H1317	P6H1317	P6H1317	P6H1317	P6H1317

POWER STEEL™ RECTANGULAR POOLS OWNER'S MANUAL



WARNING

Carefully read, understand, and follow all information in this user manual before installing and using the swimming pool. These warnings, instructions, and safety guidelines address some common risks of water recreation, but they cannot cover all risks and dangers in all cases. Always use caution, common sense, and good judgment when enjoying any water activity. Retain this information for future use.

Non Swimmers safety

- Continuous, active, and vigilant supervision of weak swimmers and non-swimmers by a competent adult is required at all times (remembering that children under five are at the highest risk of drowning).
- Designate a competent adult to supervise the pool each time it is being used.
- Weak swimmers or non-swimmers should wear personal protection equipment when using the pool.
- When the pool is not in use, or unsupervised, remove all toys from the swimming pool and its surrounding to avoid attracting children to the pool.

Safety devices

- In order to prevent children from drowning, it is recommended to secure the access to the pool with a protection device. In order to prevent children climbing from the inlet and outlet valve, it is recommended to install a barrier (and secure all doors and windows, where applicable) to prevent unauthorized access to the swimming pool.
- Barriers, pool covers, pool alarms, or similar safety devices are helpful aids, but they are not substitutes for continuous and competent adult supervision.

Safety equipment

- It is recommended to keep rescue equipment (e.g. a ring buoy) by the pool.
- Keep a working phone and a list of emergency phone numbers near the pool.

Safe use of the pool

- Encourage all users especially children to learn how to swim.
- Learn Basic Life Support (Cardiopulmonary Resuscitation - CPR) and refresh this knowledge regularly. This can make a life-saving difference in the event of an emergency.
- Instruct all pool users, including children, what to do in case of an emergency.
- Never dive into any shallow body of water. This can lead to serious injury or death.
- Do not use the swimming pool when using alcohol or medication that may impair your ability to safely use the pool.
- When pool covers are used, remove them completely from the water surface before entering the pool.
- Protect pool occupants from water related illnesses by keeping the pool water treated and practicing good hygiene.
- Consult the water treatment guidelines in the user's manual.
- Store chemicals (e.g. water treatment, cleaning or disinfection products) out of the reach of children.
- Use the signage as outlined below. Signage is to be displayed in a prominent position within 2m of the pool.



Keep children under supervision in the aquatic environment. No diving.

- Removable ladders shall be placed on a horizontal surface.
- Irrespective of materials used for swimming pool construction, accessible surfaces have to be checked regularly to avoid injuries.
- Regularly monitor bolts and screws. Remove splinters or any sharp edges to avoid injuries.
- **ATTENTION:** do not leave the drained pool outside. The empty pool is liable to become deformed and/or displaced due to wind.

- If you have a filter pump, refer to the pump's manual for instructions.

- **WARNING!** The pump cannot be used while people are inside the pool!

- If you have a ladder, refer to the ladder's manual for instructions.

- **WARNING!** The pump cannot be used while people are inside the pool!

- If you have a ladder, refer to the ladder's manual for instructions.

- **WARNING!** The use of a swimming pool implies compliance with the safety instructions described in the operating and maintenance guide. In order to prevent drowning or other serious injuries, pay particular attention to the possibility of unexpected access to the swimming pool by children under 5 years by securing the access to it, and, during the bathing period, keep them under constant adult supervision.

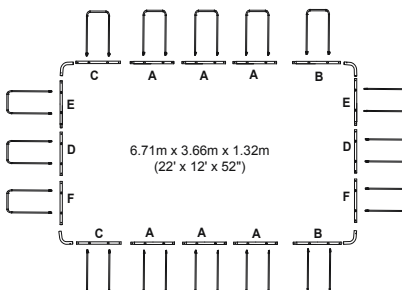
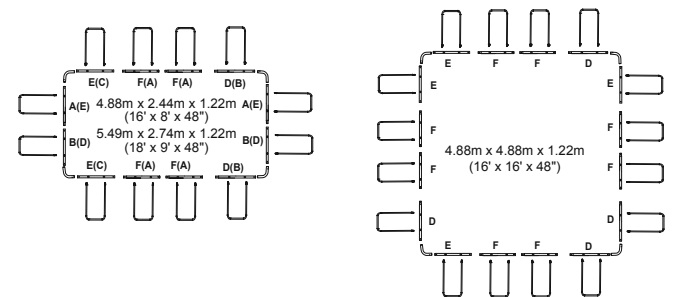
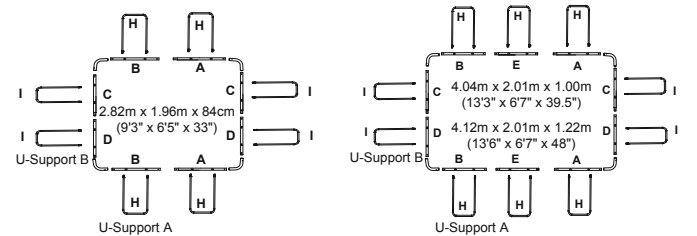
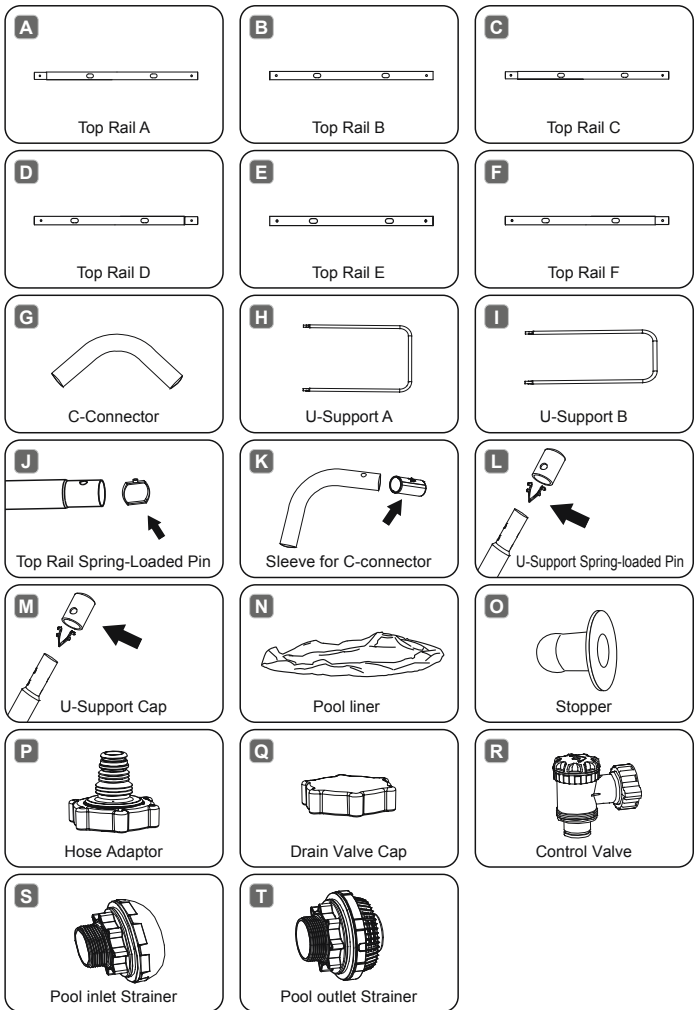
Please read carefully and keep for future reference

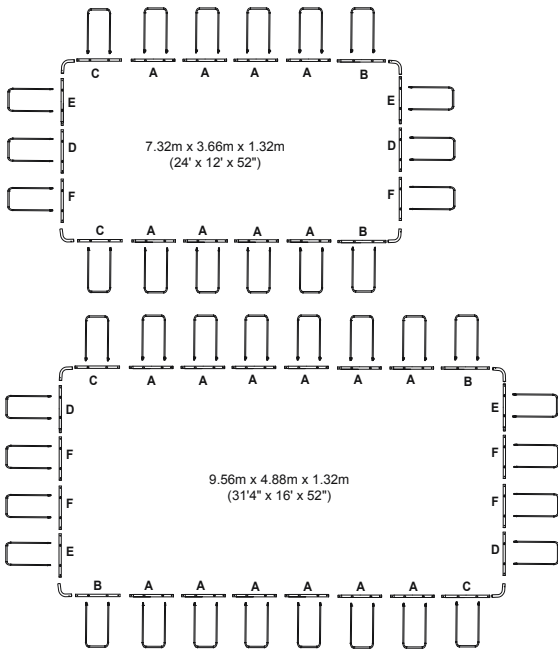
Installation usually takes approximately 20 - 30 minutes with 2-3 people excluding earthworks and filling.

See below for part descriptions.

Components list:

NOTE: Some parts already have been installed on the pool.





NOTE: Drawing for illustration purpose only. May not reflect actual product. Not to scale.

PLEASE READ CAREFULLY AND RETAIN FOR FUTURE REFERENCE.

CHOOSE THE CORRECT LOCATION

NOTE: The pool must be set up on a completely flat and level surface. Please do not install the pool if the surface is inclined or sloped.

Correct conditions to set up the pool:

- The selected location has to be capable of uniformly supporting the weight for the entire time the pool is installed, moreover the location must be flat and must be cleared of all objects and debris including stones and twigs.
- We recommend positioning the pool away from any objects children could use to climb into the pool.

NOTE: Position the pool near an adequate drainage system to deal with overflow or to discharge the pool.

Incorrect conditions to set up the pool:

- On uneven ground the pool may collapse causing serious personal injury and/or damage to personal property and will void the warranty and prevent any service claims.
- Sand should not be used to create a level base; the ground must be dug out if necessary.
- Directly under overhead power lines or trees. Be sure the location does not contain underground utility pipes, lines or cables of any kind.
- Do not set up the pool on driveways, decks, platforms, gravel or asphalt surfaces. The selected location should be firm enough to withstand the pressure of the water; mud, sand, soft / loose soil or tar are not suitable.
- Grass or other vegetation under the pool will die and may cause odors and slime to develop, therefore we recommend removing all grass from the selected pool location.
- Avoid areas prone to aggressive plant and weed species that may grow through the ground cloth or liner.

NOTE: Check with your local city council for by-laws relating to fencing, barriers, lighting and safety requirements and ensure you comply with all laws.

NOTE: If have a filter pump, refer to the pump's manual for instructions.

NOTE: The ladder must match the pool size and should to be used only for entering and exiting the pool. It is forbidden to exceed the permitted payload of the ladder. Check regularly if the ladder is properly assembled.

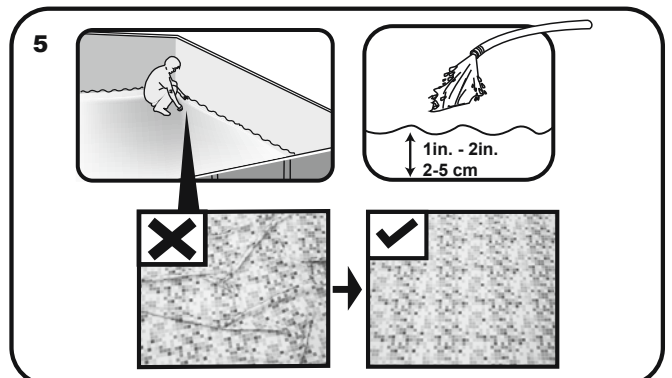
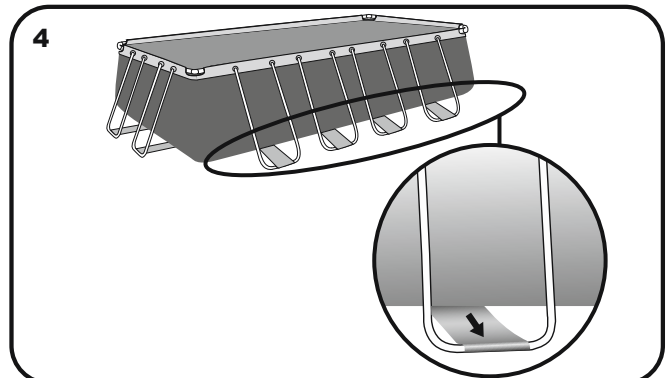
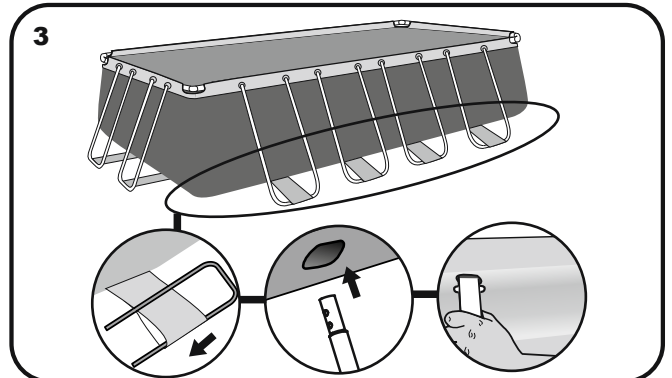
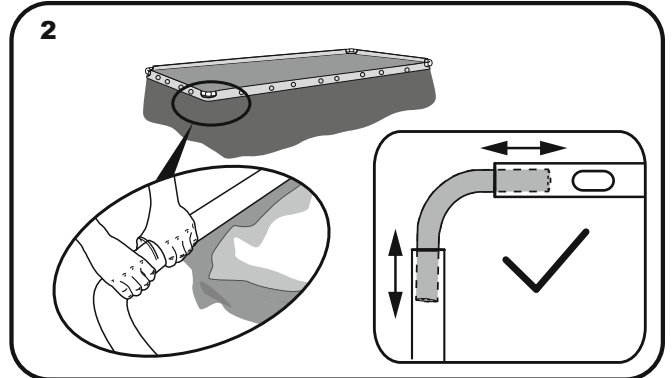
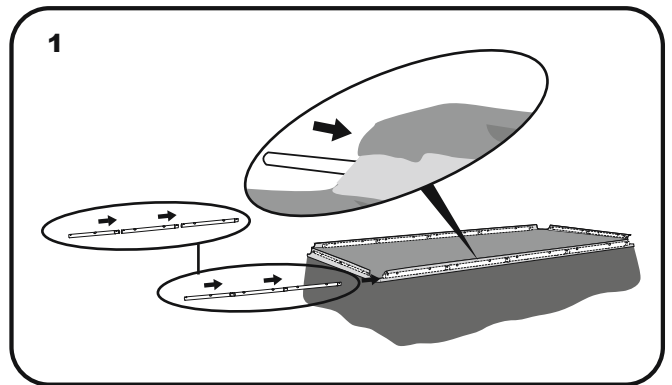
Installation

Assembly of the Rectangular Frame Pool can be completed without tools.

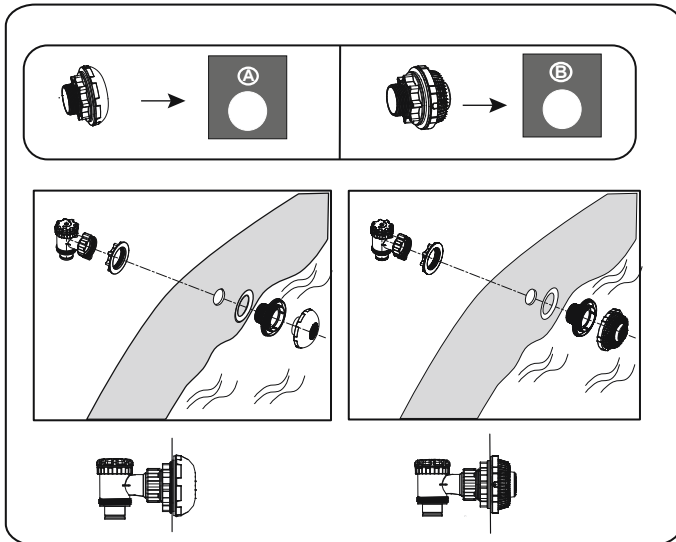
Bestway Inflatables will not be responsible for damage caused to the pool due to mishandling or failure to follow these instructions.

1. Lay out all parts and check that you have the correct quantities as listed in the components list. If you are missing any part do not assemble the pool, contact Bestway Customers Service.
2. Spread out the pool and make sure the pool is right side up, let it sit exposed to direct sunlight for 1 hour or more so that the pool is more flexible during set up.
3. Place the pool near an adequate drainage system to deal with overflow water and ensure the pool's inlet A and outlet B are correctly positioned to allow your filter pump to connect to a power source. **Note:** Do not use extension power cords to power your pump.

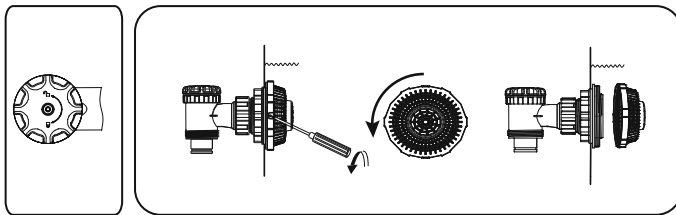
ATTENTION: Do not drag the pool on the ground, this can damage the pool.



Connection Valve Assembly
For pool with connection valve.



NOTE: If you want to connect other pool cleaning kits to the pool through the connection valve, use a Phillips screwdriver to disassemble the Debris Screen from the Connector.



Filling Pool with Water

ATTENTION: Do not leave pool unattended while filling with water.

1. Fill pool until water capacity is 90%, DO NOT OVERFILL as this could cause the pool to collapse. In times of heavy rainfall you may need to empty some of the water to ensure the level is correct.
2. When filling the pool is completed, check that the water is not collecting on any side to ensure the pool is level.

IMPORTANT: If pool is not level, drain water and re-level ground by digging out.

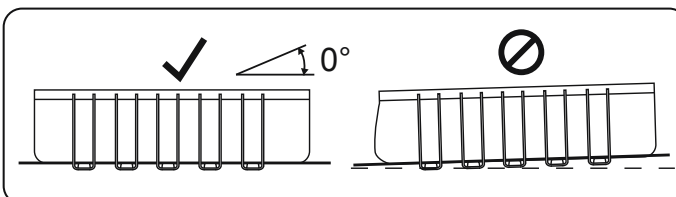
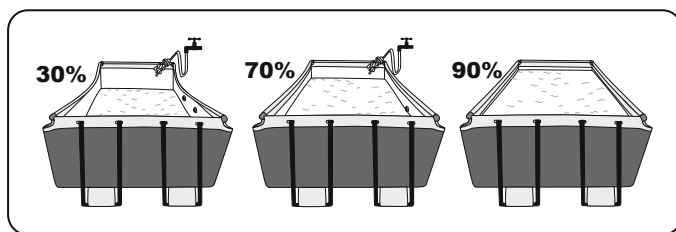
Never attempt to move the pool with water in it, serious personal injury or damage to the pool may result.

WARNING: Your pool may contain a great deal of pressure. If your pool has any bulge or uneven side then the pool is not level, the sides may burst and the water may discharge suddenly causing serious personal injury and/or damage to property.

3. Check pool for any leaks at valves or seams, check ground cloth for any evident water loss. Do not add chemicals until this has been done.

NOTE: In the event of a leak, patch your pool using the underwater adhesive repair patch provided.

Refer to the FAQ's for further information.



POOL MAINTENANCE

WARNING: If you do not adhere to the maintenance guidelines covered herein, your health might be at risk, especially that of children. Pool water treatment is essential for the safety of the users. Using chemicals inappropriately will cause property damage and personal injury.

NOTE: The pump is used to circulate the water and to filter small particles. In order to keep your pool water clean and hygienic, you must also add chemicals.

1. It is recommended not to fill the pool with catchment water, drilling water, or drainage well water: these waters generally contain polluted organic substances including nitrates and phosphates. Filling pools with water from the public network is advised.
2. Always keep your pool clean and apply the correct pool chemicals. Unsanitary water is a serious health hazard. It is recommended to use disinfectant, flocculant, acid or alkali chemicals to treat your pool.
3. Clean the PVC liner regularly with non-abrasive brushes or a pool vacuum cleaner.
4. Throughout the season, the water filtration system must run long enough each day to clean the entire volume of water in the pool.
5. Check the filter cartridge (or sand in a sand filter) regularly and replace dirty cartridges (or sand).
6. Regularly check the screws, bolts and all the metal parts for rust. Replace if necessary.
7. If it rains, check that the water level is not higher than the specified level. If water exceeds the specified levels, drain the pool to the specified level.
8. Do not use the pump when the pool is in use.
9. Cover the pool when not in use.
10. For pool water treatment, the pH value is very important.

ATTENTION: Do not leave the drained pool outside.

The following parameters ensure good quality water

Parameters	Values
Water clarity	clear view of the pool bottom
Colour of the water	no colour should be observed
Turbidity in FNU/NTU	max. 1,5 (preferably less than 0,5)
Nitrate concentration above that of fill water in mg/l	max. 20
Total organic carbon (TOC) in mg/l	max. 4,0
Redox potential against Ag/AgCl 3,5 m KCl in mV	min. 650
pH value	6,8 to 7,6
Free active chlorine (without cyanuric acid) in mg/l	0,3 to 1,5
Free chlorine used in combination with cyanuric acid in mg/l	1,0 to 3,0
Cyanuric acid in mg/l	max 100
Combined chlorine in mg/l	max 0,5 (preferably close to 0,0 mg/l)

ATTENTION: Do not use pump when pool is in use.

During the season of use of the swimming pool, the filtration system must be necessarily put into service every day, enough for a long time to assure at least a complete renewal of the volume of water.

Repair

Check pool for any leaks from valves or seams, check the ground cloth for any evident water loss. Do not add chemicals until this has been done.

NOTE: In the event of a leak, patch your pool using the underwater adhesive repair patch provided. Refer to the FAQs for further information.

Dismantling

1. Unscrew the drain valve cap on the outside of the pool counter clockwise and remove.
2. Connect the adaptor to the hose and put the other end of the hose in the area where you are going to drain your pool. (Check local regulations for drainage by-laws).
3. Screw the control ring of the hose adaptor clockwise onto the drain valve. The drain valve will be open and water will start to drain automatically.

ATTENTION: Water flow can be controlled with the control ring.

4. When draining is finished, unscrew the control ring to close the valve.

5. Disconnect the hose.

6. Screw the cap back onto the drain valve.

7. Air dry pool.

ATTENTION: Do not leave the drained pool outside.

Storage and Winterization

1. Please remove all the accessories and spare parts of the pool and store them clean and dry.

2. Once pool is completely dry, sprinkle with talcum powder to prevent pool from sticking together, fold pool carefully. If pool is not completely dry, mold may result and will damage the pool liner.

3. Store liner and accessories in a dry place with a moderate temperature between 5°C / 41°F and 38°C / 100°F.

4. During the rainy season, pool and accessories should be stored as per above instructions also.

5. Improper draining of the pool might cause serious personal injury and/or damage to personal property.

6. We strongly recommend the pool is disassembled during the off season (winter months).

Store in a dry location out of children's reach.

Limited BESTWAY® Manufacturer's Warranty

The product you have purchased comes with a limited warranty. Bestway® stands behind our quality guarantee and assures, through a replacement warranty, your product will be free from manufacturer's defects.

The following provision is only valid within the European member state countries. The legal regulation of Directive 1999/44/EC will not be effected by this BESTWAY limited warranty.

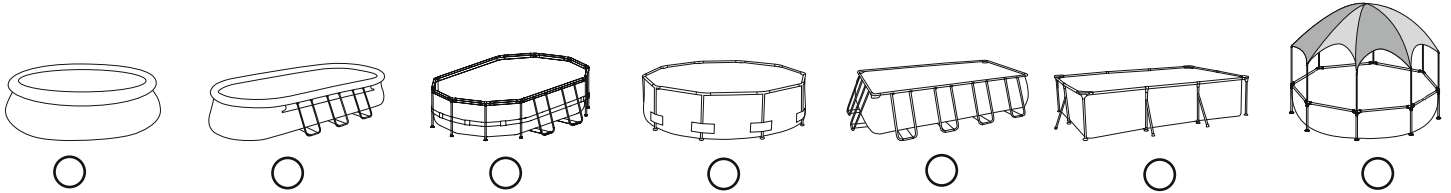
To enact a warranty claim, this form must be completed and submitted with a copy of your receipt/purchase to your local Bestway After Sales Center. Before any claims can be accepted, the Bestway After Sales Center may ask you to send a piece of the defective part to the center (e.g. a cut out of the production batch number / drain valve). Please contact your local Bestway After Sales Center before sending any documents. They will provide full instructions of what is needed for your claim.

Bestway® is not responsible for economic loss due to water or chemical costs. Bestway® will not replace any products deemed to have been damaged due to negligence or used outside of the owner's manual guidelines.

Bestway's warranty covers manufacturing defects discovered while unpacking the product or during use, within the limits of use and respectful of warnings and instructions given within the user's manual. This warranty applies only to the product and must not have been modified by any 3rd parties. The product must be stored and handled in accordance with the technical recommendations.

The Limited Warranty is valid for the period indicated above. The warranty start date is the date of sale shown on the original receipt/purchase invoice.

Please choose the type of your pool:



Date of purchase: _____ Customer Code Number: _____

TO: Bestway® Service Department Date: _____

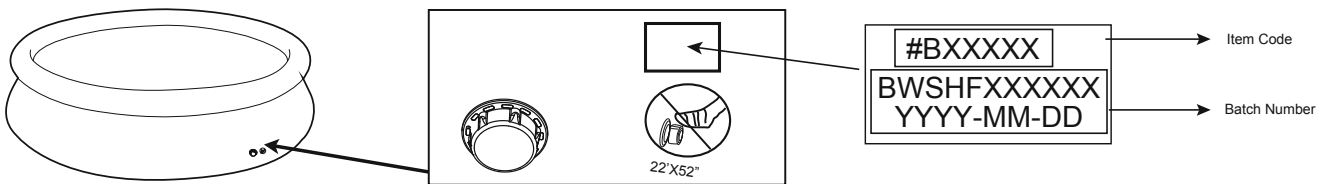
FAX/E-MAIL/TEL: Please refer to your country according to the information found on the back cover or on our website: www.bestwaycorp.com.
Please provide your address details in full. **Note:** Incomplete address details will result in delayed shipments.
Bestway reserves the right to charge for redelivery of undelivered packages where the recipient is at fault.

REQUIRED INFORMATION - PLEASE WRITE THE SHIPPING ADDRESS

Name: _____ Address: _____
 Zip Code: _____ Retailer: _____
 Country: _____ City: _____
 Mobile: _____ Telephone: _____
 Fax: _____ E-mail: _____

Please write the Batch Number and Item Code located near the drain valve

Batch Number: _____ Item Code: _____



Problem description

- Item is torn / Leaking
 Faulty welding
 Faulty upper ring
 Faulty drain valve
 Other (Please describe)
 Missing part (Please use the code for the missing part. This can be found in the owner's manual.)

IMPORTANT: ONLY THE DAMAGED PART WILL BE REPLACED, NOT THE COMPLETE SET.

Bestway reserves the right to request photographic evidence of defective parts, or to require sending the item for additional testing. In order to better assist you, we request all information you provide to be complete.

FOR FAQ, MANUALS, VIDEOS OR SPARE PARTS, PLEASE VISIT OUR WEBSITE: www.bestwaycorp.com
 VIDEOS ARE ALSO AVAILABLE ON OUR BESTWAY CHANNEL ON YOU TUBE: www.youtube.com/user/BestwayService



PISCINAS RECTANGULARES POWER STEEL™

MANUAL DO PROPRIETÁRIO



Visite o canal da Bestway no YouTube

ATENÇÃO

Leia atentamente, compreenda e siga todas as instruções contidas neste manual de utilizador antes de instalar e utilizar a piscina. Estes avisos, instruções e orientações de segurança visam alguns riscos comuns de divertimentos aquáticos, contudo não podem abranger todos os riscos e perigos em todos os casos. Sempre que desfrutar de uma actividade aquática, deve ter cuidado, senso comum e bom discernimento. Preserve esta informação para utilização futura.

Segurança dos Não-Nadadores

- É sempre necessária uma supervisão contínua, activa e vigilante dos nadadores mais vulneráveis e dos não-nadadores por um adulto competente (lembre-se que as crianças com idade inferior a cinco anos correm o risco mais elevado de afogamento).
- Nomeie um adulto competente para supervisionar a piscina sempre que esteja em utilização.
- Os nadadores mais vulneráveis ou não-nadadores devem utilizar equipamento de protecção pessoal sempre que utilizarem a piscina.
- Sempre que a piscina não estiver a ser utilizada ou sem supervisão, retire todos os brinquedos da piscina e dos seus arredores para evitar atrair crianças até à piscina.

Dispositivos de segurança

- De modo a prevenir que as crianças se afoguem, recomenda-se que proteja o acesso à piscina com um dispositivo de protecção. De modo a prevenir que as crianças subam pelas válvulas de entrada e saída, recomenda-se que instale uma barreira (e proteja todas as portas e janelas, sempre que aplicável) para prevenir o acesso não autorizado à piscina.
- Barreiras, coberturas de piscina, alarmes de piscina ou dispositivos de segurança semelhantes são auxiliares muito úteis, embora não substituam a supervisão contínua e competente por um adulto.

Equipamento de segurança

- Recomenda-se que mantenha equipamento de resgate (ex., uma bóia em anel) nas proximidades da piscina.
- Mantenha um telefone funcional e uma lista de telefones de emergência nas proximidades da piscina.

Utilização segura da piscina

- Encoraje todos os utilizadores, em especial as crianças, a aprender a nadar
- Aprenda medidas de Suporte Básico de Vida (Ressuscitação Cardiopulmonar - RCP) e renove este conhecimento regularmente. Isto pode ajudar a salvar vidas em caso de emergência.
- Instrua todos os utilizadores da piscina, incluindo as crianças, acerca do que devem fazer em caso de emergência
- Nunca mergulhe em corpos de água pouco profundos. Isto pode causar ferimentos graves ou morte.
- Não utilize a piscina quando ingerir álcool ou medicamentos que possam afectar a sua capacidade para desfrutar dela em segurança.
- Caso tenha uma cobertura de piscina, retire-a completamente da superfície da água antes de entrar na piscina.
- Proteja os ocupantes da piscina de doenças relacionadas com a água, mantendo a água da piscina tratada e praticando uma boa higiene. Consulte as orientações de tratamento da água contidas no manual de utilizador.
- Armazene os químicos (ex., produtos de tratamento, limpeza e desinfecção da água) fora do alcance das crianças.
- Utilize a sinalização conforme indicado abaixo. A sinalização deve ser exibida numa posição proeminente a 2m da piscina.



- Mantenha as crianças sob supervisão no meio aquático. Não mergulhe.
- As escadas amovíveis devem ser colocadas numa superfície horizontal.
- Independentemente dos materiais utilizados na construção da piscina, as superfícies acessíveis devem ser verificadas regularmente para evitar ferimentos.
- Monitimize regularmente os parafusos e remova lascas ou quaisquer arestas afiadas para evitar ferimentos.

ATENÇÃO: Não deixe a piscina drenada no exterior. Quando vazia, a piscina fica susceptível a sofrer deformações e/ou deslocamentos devido ao vento.

- Se tiver uma bomba de filtro, consulte o manual da bomba para obter instruções.

ATENÇÃO: A bomba não pode ser utilizada enquanto a piscina estiver ocupada!

- Se tiver uma escada, consulte o manual da escada para obter instruções.

ATENÇÃO: A utilização de uma piscina implica o cumprimento das instruções de segurança descritas no guia de funcionamento e manutenção. Para prevenir afogamentos ou outros ferimentos graves, preste especial atenção à possibilidade das crianças com idade inferior a 5 anos acederem à piscina de forma inesperada, através da protecção do acesso à mesma, e mantendo-as sob supervisão constante de um adulto durante o período de banhos.

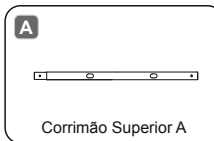
Por favor leia cuidadosamente e reserve para referência futura

A instalação demora normalmente cerca de 20-30 minutos com 2-3 pessoas excluindo trabalhos de remoção de solos e enchimento.

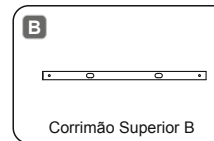
Ver, abaixo, a descrição dos componentes.

Lista de componentes:

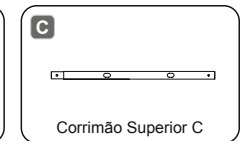
NOTA: Algumas peças já foram instaladas na piscina.



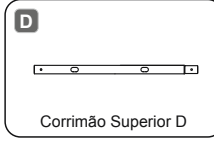
Corrimão Superior A



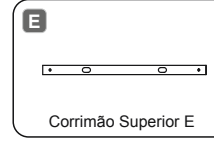
Corrimão Superior B



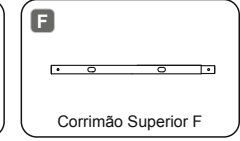
Corrimão Superior C



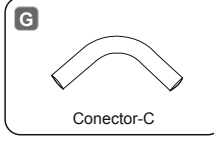
Corrimão Superior D



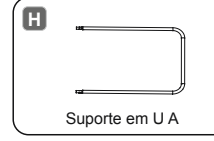
Corrimão Superior E



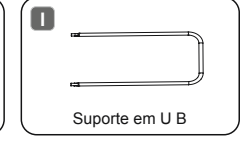
Corrimão Superior F



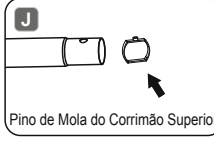
Conector-C



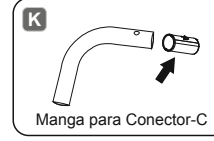
Suporte em U A



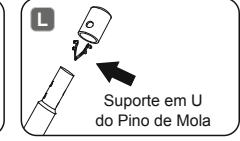
Suporte em U B



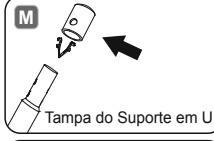
Pino de Mola do Corrimão Superior



Manga para Conector-C



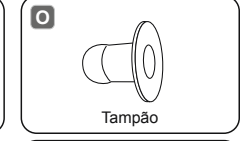
Suporte em U do Pino de Mola



Tampa do Suporte em U



Forro da piscina



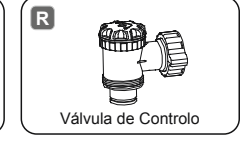
Tampão



Adaptador de Mangueira



Tampa da Válvula de Drenagem



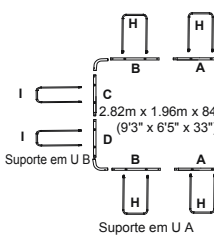
Válvula de Controlo



Filtro de entrada da piscina

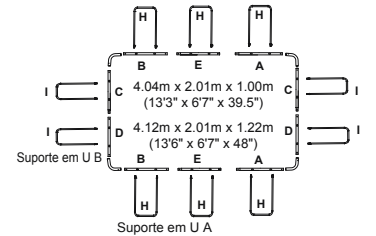


Filtro de saída da piscina



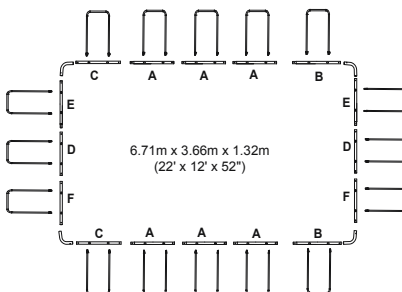
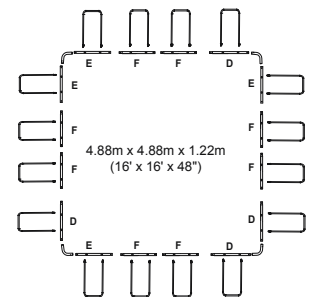
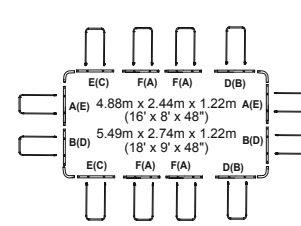
Suporte em U B

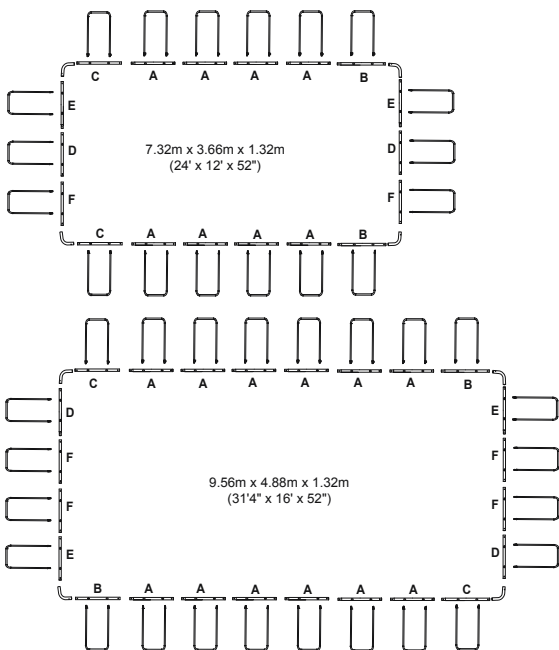
Suporte em U A



Suporte em U B

Suporte em U A





NOTA: O desenho serve apenas para fins ilustrativos. Pode não ilustrar o produto real. Não está à escala.

LEIA ATENTAMENTE E GUARDE PARA REFERÊNCIA FUTURA.

ESCOLHA A LOCALIZAÇÃO CORRECTA

NOTA: A piscina tem de ser montada numa superfície completamente plana e nivelada. Não instalar a piscina sobre uma superfície inclinada.

Condição correcta para instalar a piscina:

- A localização seleccionada tem de ser capaz de suportar uniformemente o peso durante todo o tempo em que a piscina esteja instalada, adicionalmente a localização deve ser plana e deve estar livre de quaisquer objectos e detritos inclusive pedras e ramos.

- Recomendamos que posicione a piscina afastada de quaisquer objecto que as crianças possam utilizar para trepar para a piscina.

NOTA: Posicione a piscina perto de um sistema de drenagem adequado para lidar com transbordamentos ou a descarga da piscina.

Condições incorrectas para instalar a piscina:

- Em terreno desnivelado a piscina pode colapsar causando ferimentos pessoais sérios e/ou danos a propriedade pessoal e isso irá invalidar a garantia e prevenir quaisquer reclamações de assistência.

- Não deve ser utilizada areia para criar uma base nivelada; o solo deve ser escavado caso necessário.

- Directamente por baixo de linhas de electricidade superiores ou árvores. Certifique-se que a localização não contém tubagens, linhas ou cabos de infraestruturas de qualquer tipo subterrâneos.

- Não instale a piscina em acessos de garagem, decks, plataformas, superfícies de gralva ou asfalto. A localização seleccionada deve ser firme o suficiente para suportar a pressão da água; a lama, areia, solo suave / solto ou alcatrão não são adequados.

- A relva e outra vegetação por baixo da piscina irá morrer e pode causar o desenvolvimento de odores e lamas, assim, recomendamos que remova toda a erva da localização da piscina seleccionada.

- Evite áreas com tendência a espécies de planta e ervas daninhas agressivas que possam crescer através do tecido de cobertura de solo ou o plástico de revestimento.

NOTA: Verifique com a sua câmara municipal quanto a legislação relacionada com requisitos de vedações, barreiras, iluminação e segurança e certifique-se que respeita todas as leis.

NOTA: Caso possua uma bomba de filtro consulte o manual da bomba para obter instruções.

NOTA: A escada deve ser adequada ao tamanho da piscina e deve ser usada apenas para entrar e sair da piscina. É proibido exceder a carga permitida da escada. Verifique regularmente se a escada está montada devidamente.

Instalação

A montagem da Piscina Rectangular pode ser efectuada sem ferramentas.

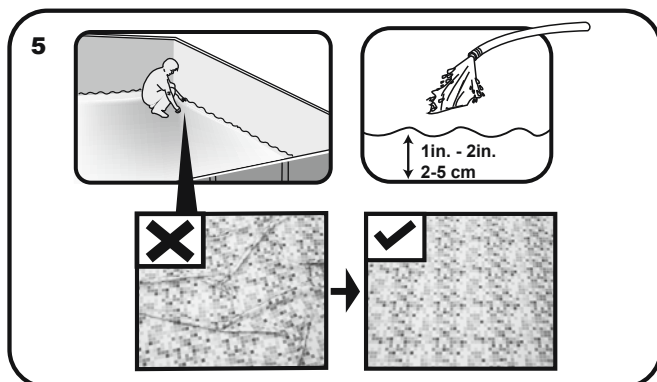
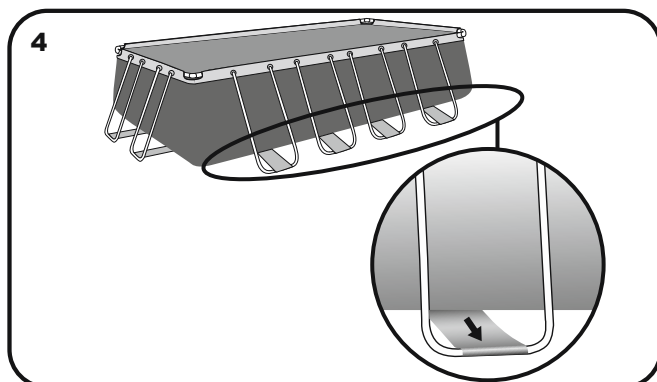
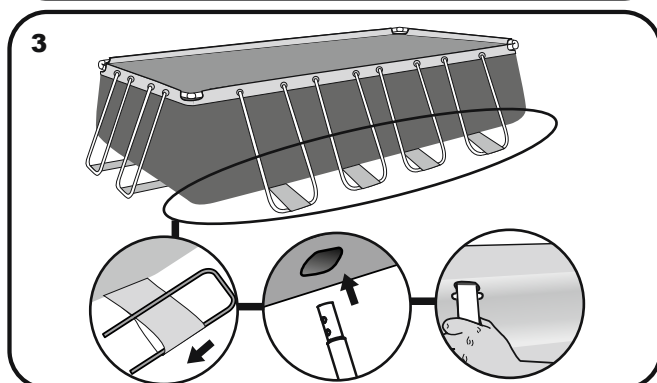
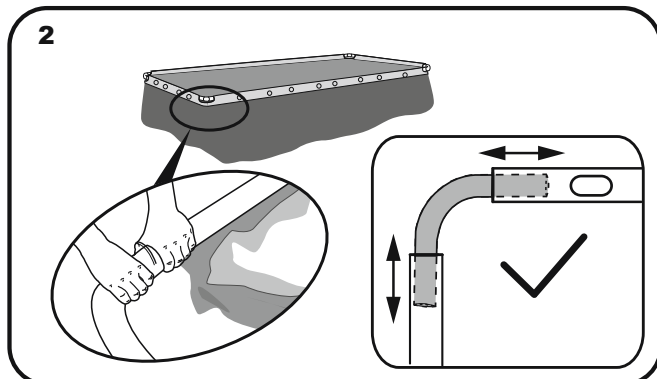
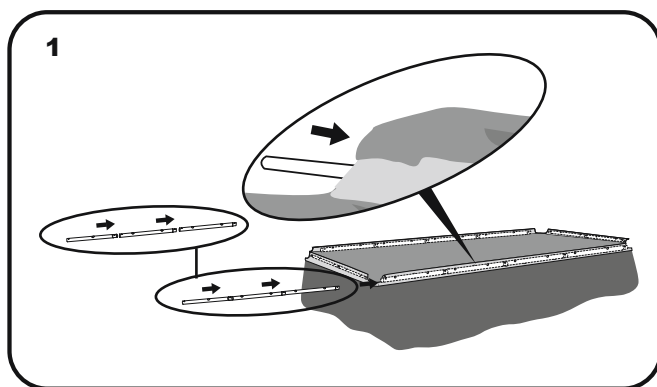
Bestway Inflatables não se responsabilizará por danos causados à piscina devidos à falta de cuidado e ao não cumprimento destas instruções.

- Disponha todos os componentes e verifique se tem as quantidades correctas como indicado na lista de componentes. Caso lhe esteja a faltar alguma peça não monte a piscina, contacte o Serviço de Apoio ao Cliente Bestway.

- Abra a piscina e assegure-se de que a mesma esteja com o lado direito voltado para cima, deixando-a directamente exposta à luz solar por uma hora ou mais, de modo a facilitar-lhe a montagem.

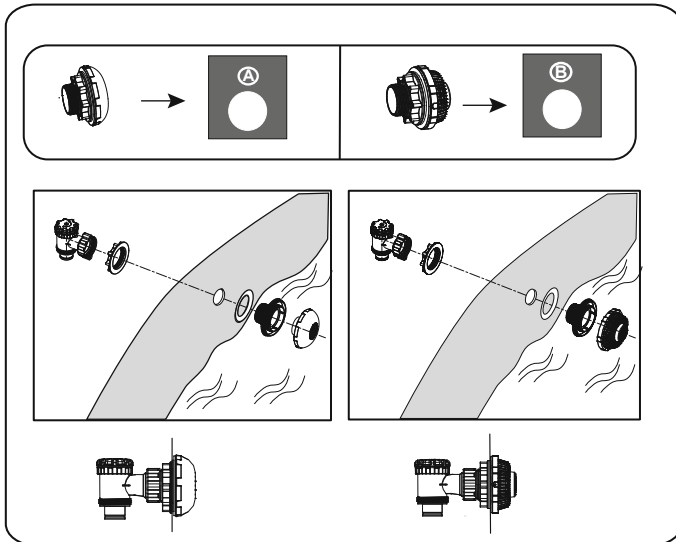
- Coloque a piscina na proximidade de um sistema de drenagem adequado para lidar com água de transbordo e certifique-se que a entrada A e a saída B da piscina estão posicionadas correctamente de forma a permitir que a sua bomba de filtro seja ligada à fonte de alimentação.

Nota: Não utilize extensões para alimentar a sua bomba. **ATENÇÃO:** Não arraste a piscina pelo chão, isso pode danificar a piscina.

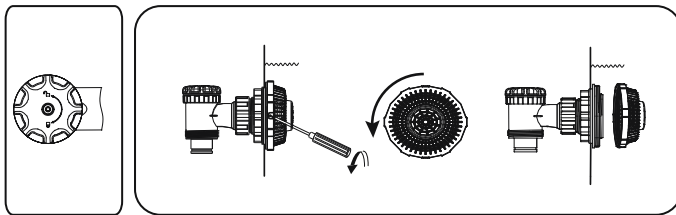


Montagem da Válvula de Ligação

Para piscina com válvula de ligação.



NOTA: Caso pretenda ligar outros kits de limpeza de piscina à piscina através da válvula de ligação, utilize uma chave de parafusos Phillips para desmontar o Filtro de Detritos do Conector.



Enchimento da Piscina Com Água

ATENÇÃO: Supervisionar a piscina quando a mesma estiver a ser enchida.

1. Encher a piscina até 90% da sua capacidade. **NÃO ENCHER DEMASIANDO** a piscina, visto que poderia desmontar-se. Em caso de chuva forte, será necessário escoar um pouco de água para manter o correcto nível.

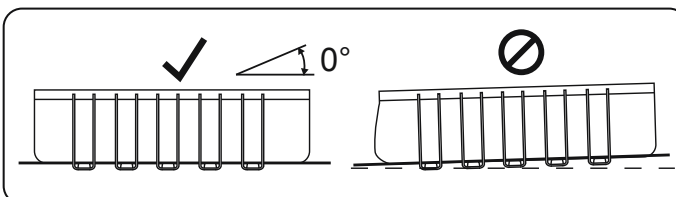
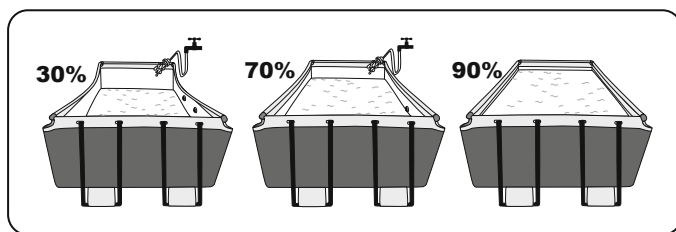
2. Quando o enchimento da piscina estiver concluído, certificar-se de que a água não se esteja a acumular em de um lado; sinal de que a piscina não foi colocada sobre superfície plana.

IMPORTANTE: Se a piscina não estiver nivelada, escoar a água e nivelar o terreno. Não tentar, de modo algum, deslocar a piscina se a mesma estiver cheia, isto poderia causar sérios ferimentos e/ou danos à piscina!

ATENÇÃO: A sua piscina pode conter bastante pressão. Caso a sua piscina tenha qualquer protuberância ou lado desnivelado, então a piscina não está nivelada, os lados podem estourar e a água poderá ser descarregada subitamente causando ferimentos pessoais graves e/ou danos de propriedade.

3. Controlar se há perda de ar das válvulas ou emendas, assim como a tela impermeável. Colocar produtos químicos somente após ter completado esta operação.

NOTA: Em caso de fuga, remende a sua piscina usando o remendo de reparação adesivo subaquático fornecido. Consulte as FAQ para obter mais informações.



MANUTENÇÃO DA PISCINA

Atenção: Caso não respeite as indicações de manutenção indicadas no presente, a sua saúde pode ficar em risco, especialmente a das suas crianças. O tratamento da água da piscina é essencial para a segurança dos utilizadores. A utilização inapropriada de químicos irá causar danos de propriedade e ferimentos pessoais.

NOTA: A bomba é utilizada para circular a água e para filtrar pequenas partículas. Para manter a sua piscina limpa e higiénica, deve também adicionar químicos.

1. Recomenda-se que não encha a piscina com água de captação, de perfuração ou do poço: geralmente estas águas contêm substâncias orgânicas poluídas, incluindo nitratos e fosfatos. Recomenda-se que encha a piscina com água da rede pública.
2. Mantenha sempre a sua piscina limpa e aplique os químicos de piscina correctos. A água insalubre é um risco grave para a saúde. Recomenda-se que utilize desinfectante, floculante, e químicos ácidos ou alcalinos para tratar a sua piscina.
3. Limpe o forro de PVC regularmente com escovas não abrasivas ou um aspirador de piscina.
4. Ao longo da estação, o sistema de filtração da água deve operar tempo suficiente todos os dias para limpar todo o volume de água na piscina.
5. Verifique o cartucho de filtro (ou a areia no filtro de areia) regularmente e substitua os cartuchos sujos (ou a areia).
6. Verifique regularmente os parafusos, pinos e todas as peças metálicas quanto à existência de ferrugem. Substitua se necessário.
7. Caso chova, verifique se o nível da água não é mais alto que o nível especificado. Caso a água exceda os níveis especificados, drene a piscina até ao nível especificado.
8. Não utilize a bomba quando a piscina está a ser utilizada.
9. Cubra a piscina quando esta não estiver a ser utilizada.
10. No tratamento da água da piscina, o valor do pH é muito importante.

ATENÇÃO: Não deixe a piscina drenada no exterior.

Os parâmetros seguintes garantem uma água de boa qualidade

Parâmetros	Valores
Limpidez da água	visibilidade clara do fundo da piscina
Cor da água	a água não deve ter qualquer cor
Turbidez em FNU/NTU	máx. 1,5 (de preferência inferior a 0,5)
Concentração de nitratos acima da concentração da água de enchimento em mg/l	máx. 20
Carbono orgânico total (TOC) em mg/l	máx. 4,0
Potencial redox perante Ag/AgCl 3,5 m KCl em mV	min. 650
valor do pH	6,8 a 7,6
Cloro activo livre (sem ácido cianúrico) em mg/l	0,3 a 1,5
Cloro livre utilizado em combinação com ácido cianúrico em mg/l	1,0 a 3,0
Ácido cianúrico em mg/l	máx. 100
Cloro combinado em mg/l	máx. 0,5 (de preferência próximo de 0,0 mg/l)

ATENÇÃO: Não utilize a bomba quando a piscina estiver em utilização.

Durante a estação de utilização da piscina, o sistema de filtração deve necessariamente ser operado todos os dias, durante o tempo suficiente para assegurar pelo menos uma renovação completa do volume de água.

Reparação

Verifique a piscina quanto a fugas a partir das válvulas ou juntas, verifique o pano de solo quanto a perdas de água evidentes. Não adicione químicos até isto estar realizado.

NOTA: Em caso de fuga, remende a sua piscina usando o remendo de reparação adesivo subaquático fornecido. Consulte as FAQ para obter mais informações.

Desmontagem

1. Desaperte a tampa da válvula de drenagem em sentido anti-horário e remova.
 2. Ligue o adaptador à mangueira e coloque a outra extremidade da mangueira na área onde vai drenar a sua piscina. (Verifique os regulamentos locais quanto à legislação sobre drenagens).
 3. Aparafuse o anel de controlo do adaptador de mangueira em sentido horário na válvula de drenagem. A válvula de drenagem será aberta e a água começará a drenar automaticamente.
 4. Quando a drenagem estiver concluída, desaparafuse o anel de controlo para fechar a válvula.
 5. Desligue a mangueira.
 6. Aparafuse a tampa de novo na válvula de drenagem.
 7. Seque a piscina ao ar.
- ATENÇÃO:** Não deixe a piscina drenada no exterior.

Armazenamento e Protecção para o Inverno

1. Por favor remova todos os acessórios e peças sobresselentes da piscina e armazene-as limpas e secas.
2. Assim que a piscina estiver totalmente seca, polvilhe com pó de talco para evitar que a piscina cole, dobre a piscina cuidadosamente. Caso a piscina não estiver totalmente seca, podem surgir fungos que irão danificar o forro da piscina.
3. Armazene o forro e os acessórios num local seco com uma temperatura moderada entre 5°C / 41°F e 38°C / 100°F.
4. Durante a estação das chuvas, a piscina e os acessórios também devem ser armazenados consoante as instruções acima.
5. A drenagem inadequada da piscina pode causar ferimentos pessoais graves e/ou danos a propriedade.
6. Recomendamos fortemente que a piscina seja desmontada fora da estação (meses de inverno). Armazene num local seco fora do alcance das crianças.

Garantia Limitada do Fabricante BESTWAY®

O produto que adquiriu inclui uma garantia limitada. A Bestway® suporta a nossa garantia de qualidade e assegura, através de uma garantia de substituição, que o seu produto estará livre de defeitos de fabrico.

O fornecimento seguinte é válido apenas nos países membros da União Europeia: O regulamento legal da Directiva 1999/44/CE não será afectado por esta garantia limitada BESTWAY.

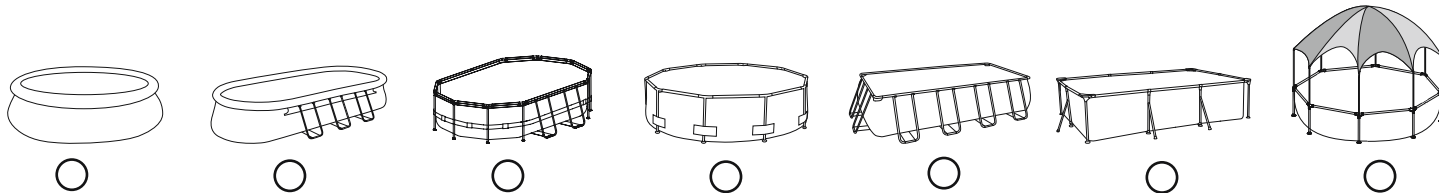
Para interpor um pedido de garantia, deve preencher este formulário, anexar uma cópia da sua factura de compra e enviá-los para o seu Centro de Pós-Vendas Bestway local. Antes que qualquer pedido de garantia possa ser aceite, o Centro de Pós-Vendas Bestway pode pedir-lhe que envie uma parte do componente defeituoso para o centro (ex. um recorte do número do lote de produção / válvula de drenagem). Por favor contacte o seu Centro de Pós-Vendas Bestway antes de enviar quaisquer documentos. Eles fornecerão instruções completas sobre o que é necessário para a sua reclamação.

A Bestway® não se responsabiliza por perdas económicas devido a custos de água ou químicos. A Bestway® não substituirá quaisquer produtos que sejam considerados negligenciados ou que tenham sido utilizados sem atenção às orientações do manual do proprietário.

A garantia Bestway abrange defeitos de fabrico detectados durante a desembalagem do produto ou durante a utilização, no âmbito dos limites de utilização respeitável dos avisos e instruções fornecidos no manual do utilizador. Esta garantia aplica-se apenas a produtos que não tenham sido modificados por terceiros. O produto deve ser armazenado e manuseado de acordo com as recomendações técnicas.

A Garantia Limitada é válida a partir do período indicado acima. A data de início da garantia corresponde à data indicada no recibo/factura de compra original.

Por favor escolha o seu tipo de piscina:



Data de Compra: _____ Código Numérico de Cliente: _____

PARA: Departamento de Serviço Bestway® Data: _____

FAX/E-MAIL/TEL: Por favor indique o seu país de acordo com a informação que encontrará no verso ou na nossa página: www.bestwaycorp.com
Forneça os dados da sua morada completa. **Nota:** Os dados incompletos de endereço resultarão em atrasos nos envios.
A Bestway reserva-se o direito de cobrar o reenvio de embalagens não entregues por responsabilidade do destinatário.

INFORMAÇÃO NECESSÁRIA - POR FAVOR PREENCHA A SUA MORADA DE ENTREGA

Nome: _____ Endereço: _____

Código postal: _____ Retalhista: _____

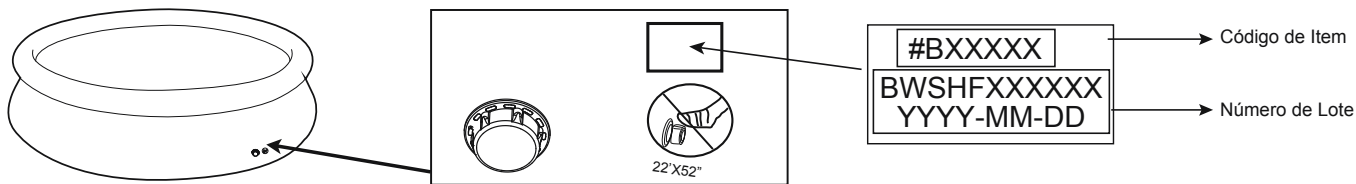
País: _____ Cidade: _____

Telemóvel: _____ Telefone: _____

Fax: _____ E-mail: _____

Por favor escreva o seu Número de Lote e Código de Item localizados junto à válvula de drenagem

Número de Lote: _____ Código de Item: _____



Descrição do problema

- Rasgões / Fugas no item Soldadura defeituosa Anel superior defeituoso Válvula de drenagem defeituosa
- Outro (por favor descreva) Peça em falta (Por favor utilize o código para a peça em falta. Este pode ser encontrado no manual do proprietário.)

IMPORTANTE: APENAS A PEÇA DANIFICADA SERÁ SUBSTITUÍDA, NÃO O CONJUNTO COMPLETO.

A Bestway reserva-se o direito de solicitar provas fotográficas das peças defeituosas, ou solicitar o envio do item para testes adicionais. De forma a poder ajudá-lo melhor, pedimos que todas as informações por si fornecidas estejam completas.

PARA TER ACESSO ÀS PERGUNTAS FREQUENTES, MANUAIS, VÍDEOS OU PEÇAS DE SUBSTITUIÇÃO,
POR FAVOR VISITE A NOSSA PÁGINA: www.bestwaycorp.com
OS VÍDEOS ESTÃO TAMBÉM DISPONÍVEIS NO NOSSO CANAL BESTWAY NO YOU TUBE: <http://youtube.com/user/BestwayService>.

PISCINAS RECTANGULARES POWER STEEL™

MANUAL DE INSTRUCCIONES



Visite el canal de YouTube de Bestway

ADVERTENCIA

Lea atentamente, comprenda y siga toda la información contenida en este manual antes de instalar y utilizar la piscina. Estas advertencias, instrucciones y normas de seguridad abordan algunos de los riesgos más comunes relacionados con el ocio acuático, pero no cubren todos los riesgos y peligros en cualquier caso. Sea siempre prudente y utilice el sentido común y el buen juicio cuando disfrute de cualquier actividad acuática. Conserve esta información para un uso futuro.

Seguridad de los no nadadores

- Los nadadores principiantes y los no nadadores requieren de la supervisión continua, activa y atenta de un adulto competente en todo momento (recuerde que los menores de cinco años cuentan con el mayor riesgo de ahogamiento).
- Asigne a un adulto competente la tarea de supervisar la piscina cada vez que esta esté en uso.
- Los nadadores principiantes o los no nadadores deben llevar un equipo de protección personal cuando utilicen la piscina.
- Cuando no se esté utilizando la piscina, o no cuente con supervisión, retire todos los juguetes de ella y de sus alrededores para que no atraigan a los niños.

Dispositivos de seguridad

- Para prevenir el ahogamiento infantil, se recomienda asegurar el acceso a la piscina con algún dispositivo de seguridad. Para prevenir que los niños suban sobre las válvulas de entrada y de salida, se recomienda instalar una barrera (y asegurar todas las puertas y ventanas, donde sea necesario) para prevenir el acceso no autorizado a la piscina.
- Las barreras, cubiertas de piscina, alarmas de piscina o dispositivos de seguridad similares son ayudas útiles, pero no sustituyen la supervisión competente y constante de un adulto.

Equipos de seguridad

- Se recomienda tener los equipos de rescate (ej.: salvavidas) cerca de la piscina.
- Tenga un teléfono activo y una lista de números de emergencia cerca de la piscina.

Uso seguro de la piscina

- Anime a todos los usuarios, y especialmente a los niños, a aprender a nadar.
- Aprenda métodos de reanimación básica (reanimación cardiopulmonar - RCP) y repase este conocimiento regularmente. Esto puede marcar la diferencia en caso de emergencia.
- Enseñe a todos los usuarios de la piscina, niños incluidos, qué hacer en caso de emergencia.
- No se zambulla en aguas poco profundas. Esto podría causar graves daños o incluso muerte.
- No utilice la piscina cuando se encuentre bajo los efectos del alcohol o de medicamentos que puedan afectar a su capacidad de usar la piscina de manera segura.
- Cuando se utilizan las cubiertas de piscina, retírelas completamente de la superficie del agua antes de entrar en la piscina.
- Proteja a los usuarios de la piscina de enfermedades manteniendo el tratamiento del agua de la piscina y practicando buenos hábitos higiénicos. Consulte las directrices para el tratamiento del agua en el manual del usuario.
- Almacene los productos químicos (ej.: tratamientos para el agua, productos de limpieza o desinfección) fuera del alcance de los niños.
- Utilice la señalización como se especifica más abajo. La señalización se debe colocar en una posición visible y destacada dentro de un radio de 2 metros de la piscina.



- Supervise a los niños en el entorno acuático. Prohibido tirarse de cabeza.
- Las escaleras extraíbles deben colocarse sobre una superficie horizontal.
- Independientemente del material utilizado para la construcción de la piscina, las superficies accesibles deben comprobarse regularmente para evitar lesiones.
- Compruebe regularmente los tornillos y tuercas; retire las astillas o cualquier borde afilado para evitar lesiones.
- **ATENCIÓN:** No deje la piscina vacía en el exterior. La piscina vacía podría deformarse y/o desplazarse debido al viento.
- Si cuenta con una bomba de filtrado, consulte el manual de instrucciones de la bomba. **¡ADVERTENCIA!** La bomba no se puede poner en marcha mientras haya personas en el interior de la piscina.
- Si tiene una escalera, consulte su correspondiente manual para las instrucciones. **¡ADVERTENCIA!** El uso de una piscina implica el cumplimiento de las instrucciones de seguridad descritas en el manual de uso y mantenimiento. Para evitar ahogamiento y otras lesiones graves, preste una especial atención a la posibilidad de acceso inesperado a la piscina de niños de menos de 5 años, tomando las medidas de seguridad necesarias y, durante el periodo del baño, téngales bajo la vigilancia constante de un adulto.

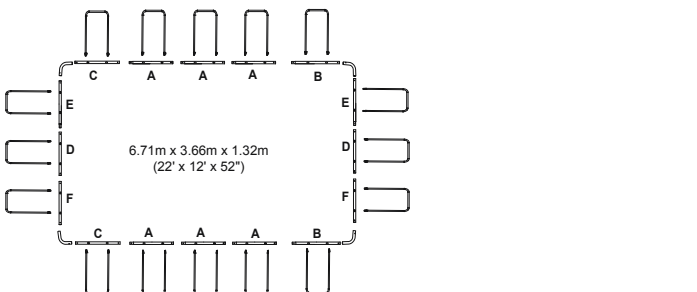
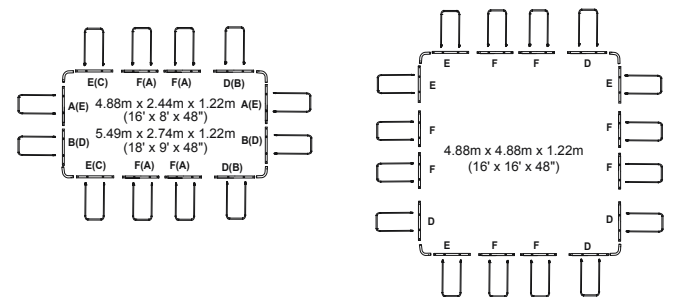
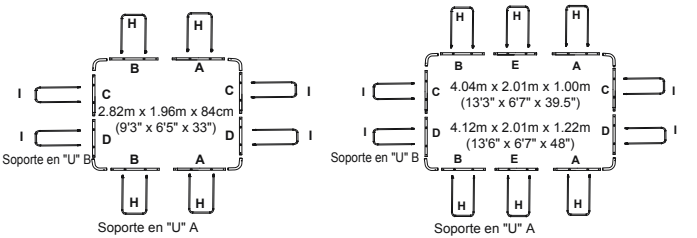
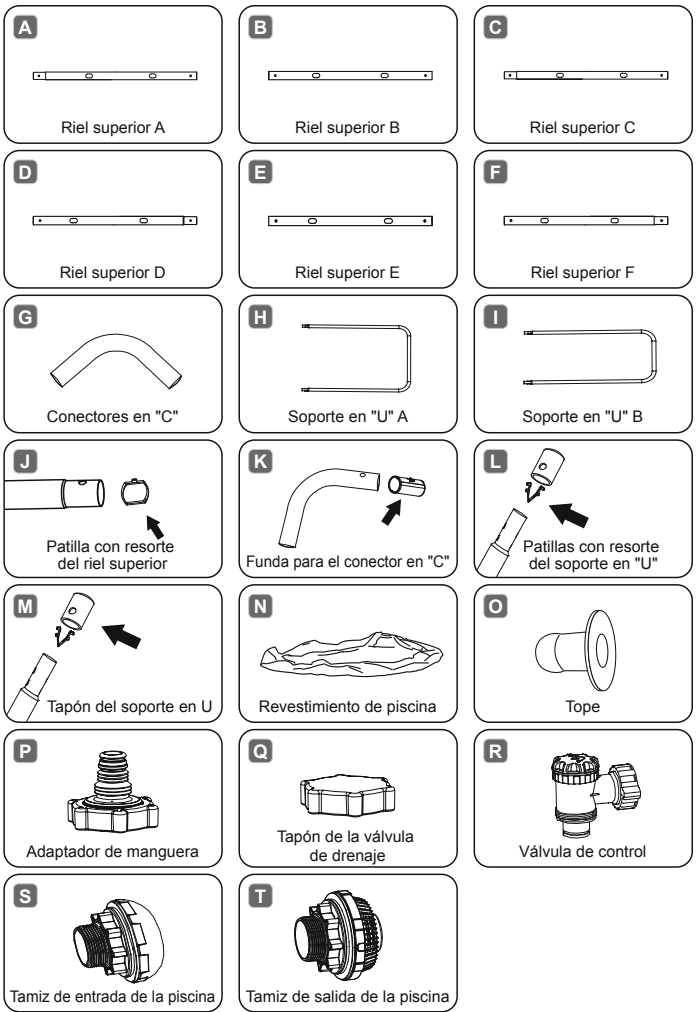
Lea atentamente y conserve para consultas futuras

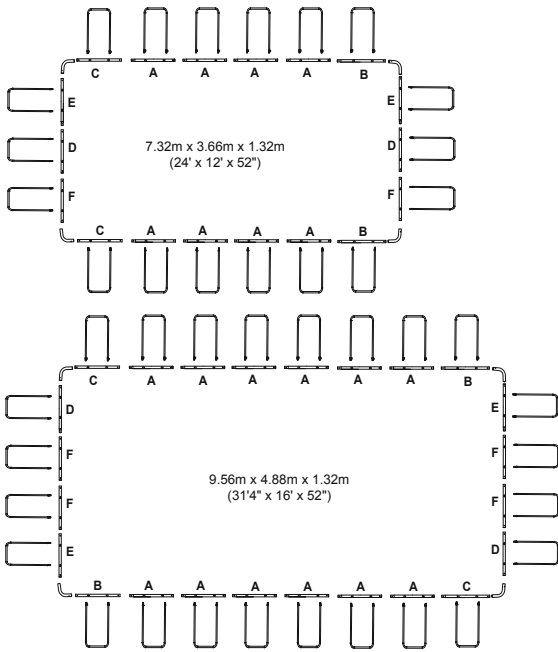
La instalación normalmente dura 20-30 minutos si la llevan a cabo 2-3 personas, excluyendo las excavaciones y el llenado.

Vea a continuación la descripción de las piezas.

Contenido:

NOTA: Algunas partes ya han sido instaladas en la piscina.





NOTA: Las ilustraciones se incluyen únicamente a título indicativo. Puede que no se correspondan con el producto real. No a escala.

LEA ATENTAMENTE Y GUARDE PARA CONSULTARLO EN EL FUTURO.

ELIJA UNA UBICACIÓN ADECUADA

NOTA: La piscina debe montarse en una superficie completamente plana y nivelada. No instale la piscina si la superficie está inclinada o en pendiente.

Condiciones adecuadas para instalar la piscina:

- La ubicación seleccionada debe ser capaz de soportar de forma uniforme el peso de la piscina durante todo el tiempo que permanezca montada; asimismo, la ubicación debe tener una superficie plana y debe estar libre de objetos y residuos como piedras o ramas.
- Le recomendamos colocar la piscina alejada de cualquier objeto que los niños pudieran utilizar para escalar e introducirse en ella.

NOTA: Coloque la piscina cerca de un sistema de drenaje adecuado para dar salida a los desbordamientos de agua o vaciar la piscina.

Condiciones inadecuadas para instalar la piscina:

- Sobre un suelo con desniveles, pues la piscina podría derrumbarse provocando lesiones personales o pérdidas materiales graves; además, dejaría la garantía sin validez e impediría la presentación de reclamaciones de mantenimiento o reparación.
- No debe utilizarse arena para crear una base nivelada; en caso necesario, habrá que realizar excavaciones en el suelo.
- Directamente debajo de árboles o líneas de alta tensión. Asegúrese de que no pasan tuberías, líneas o cables por debajo del lugar de instalación.
- No coloque la piscina en entradas, terrazas, plataformas, superficies de gravilla o asfalto. La ubicación seleccionada debería ser lo suficientemente firme para soportar la presión del agua; no situar sobre lodo, arena, suelo blando o suelto o alquitrán.
- El césped o la vegetación bajo de la piscina se marchitará y podría provocar malos olores o la aparición de fango. Por eso, recomendamos eliminar todo el césped de la ubicación elegida para la piscina.
- Evite aquellas zonas donde puedan brotar plantas o malas hierbas que pudieran dañar el fondo o el revestimiento de la piscina.

NOTA: Consulte a las autoridades locales para conocer las normativas en materia de vallas, barreras, iluminación y seguridad y asegúrese de cumplirlas.

NOTA: Si cuenta con una bomba de filtrado, consulte el manual de instrucciones de la bomba.

NOTA: La escalera debe adaptarse al tamaño de la piscina y debe utilizarse únicamente para entrar y salir de ella. Queda prohibido exceder la carga útil máxima permitida de la escalera. Compruebe periódicamente el correcto montaje de esta última.

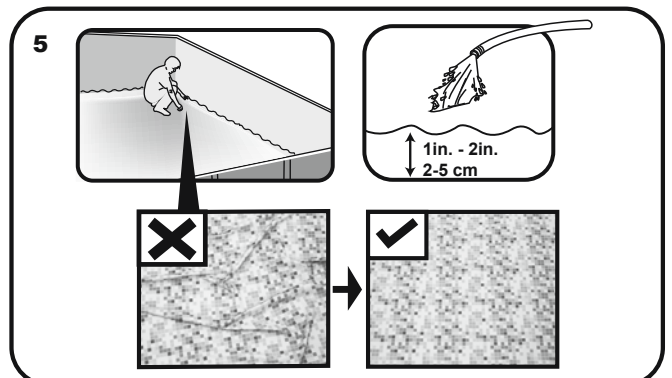
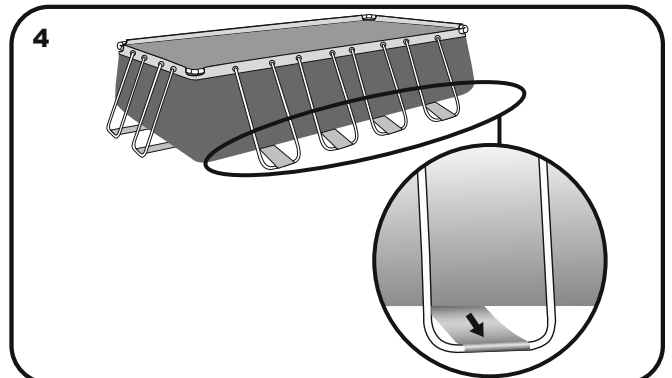
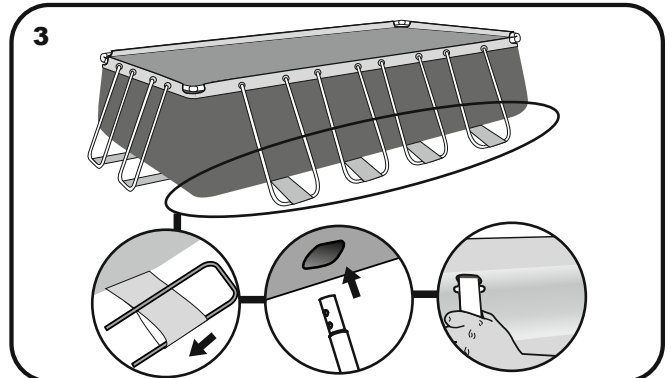
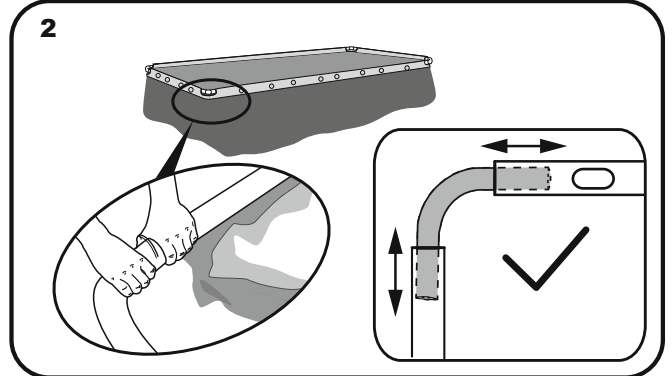
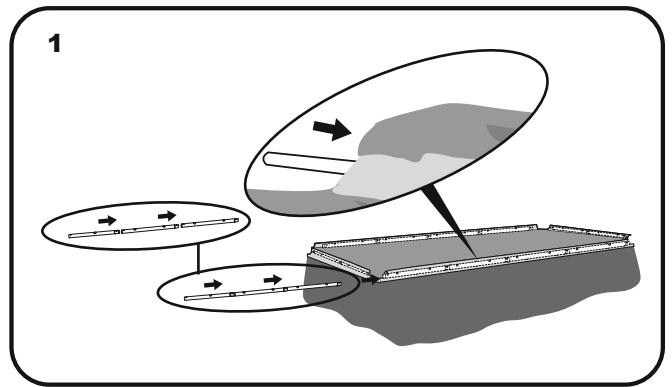
Instalación

El montaje de la piscina del cuadro rectangular se puede realizar sin herramientas.

Bestway Inflatables no es responsable por daños provocados en la piscina debidos a un mal manejo o a la falta de respeto de estas instrucciones.

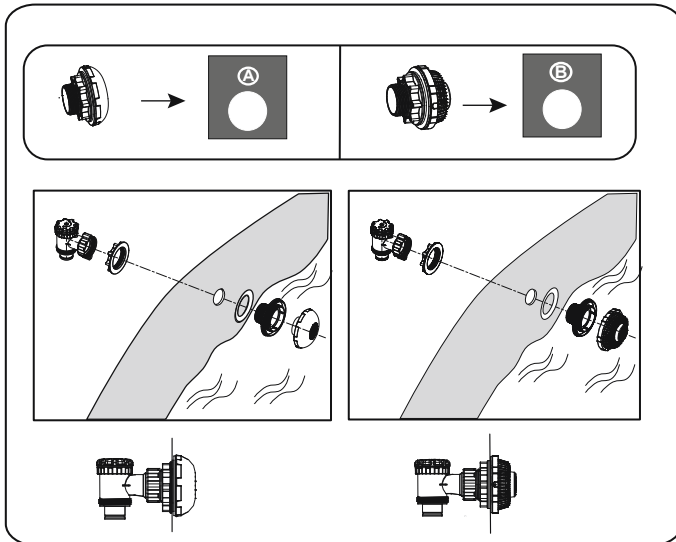
1. Coloque todas las piezas sobre el suelo y compruebe que dispone de todas ellas en la cantidad indicada en la lista de contenido. En caso de que falte alguna pieza, no monte la piscina y póngase en contacto con el servicio de atención al cliente de Bestway.
2. Extienda la piscina y asegúrese de que está cara arriba, déjela extendida a la luz del sol directa durante una hora o más para que sea más flexible durante el montaje.
3. Coloque la piscina cerca de un sistema de drenaje adecuado para dar salida a los desbordamientos de agua y garantizar que la entrada A y la salida B estén correctamente ubicadas para permitir que la bomba se conecte a una fuente de alimentación. **Nota:** No use cables de prolongación para conectar la bomba a la red eléctrica.

ATENCIÓN: No arrastre la piscina sobre el suelo, la piscina podría sufrir daños.

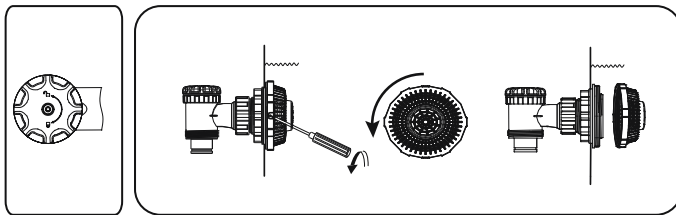


Montaje de la válvula de conexión

Para piscinas equipadas con válvula de conexión.



NOTA: Si desea conectar otros kits de limpieza de piscinas a la piscina a través de la válvula de conexión, use un destornillador Phillips para desmontar la Rejilla para residuos del conector.



Llenado de la Piscina Con Agua

ATENCIÓN: No deje la piscina sin vigilancia mientras la está llenando de agua.

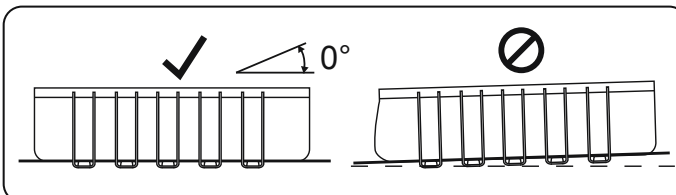
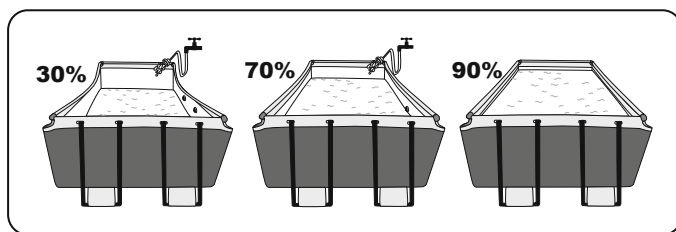
1. Llene la piscina hasta el 90% de la capacidad. **NO LLENE DEMASIADO** ya que esto puede hacer que la piscina se hunda. Si llueve bastante, podría ser necesario quitar un poco de agua de la piscina para asegurarse de que el nivel es correcto.
2. Cuando la piscina se haya llenado por completo, compruebe que el agua no se acumula en ningún lado para que la piscina esté equilibrada.

IMPORTANTE: Si la piscina no está equilibrada, drene el agua y vuelva a equilibrar el suelo cavando. No intente nunca mover la piscina con agua dentro de la misma, pueden provocarse graves daños personales o daños en la piscina.

ADVERTENCIA: Su piscina puede contener una gran cantidad de presión. Si su piscina presenta alguna protuberancia o irregularidad en los laterales, significa que la piscina no está nivelada, los laterales podrían romperse y el agua podría desbordarse de repente, causando graves daños personales y/o materiales.

3. Compruebe si la piscina presenta pérdidas en las válvulas o las juntas, compruebe la tela de suelo para ver si hay alguna pérdida evidente de agua. No añada productos químicos hasta haber realizado esta comprobación.

NOTA: En caso de observarse una fuga de agua, repare la piscina usando el parche de reparación adhesivo sumergible incluido. Consulte las preguntas frecuentes (FAQ) para obtener más información.



MANTENIMIENTO DE LA PISCINA

ADVERTENCIA: Si no respeta las instrucciones de mantenimiento aquí señaladas, puede poner en peligro su salud y, en especial, la de los niños. El tratamiento del agua de la piscina es fundamental para la seguridad de los usuarios. El uso inadecuado de los productos químicos causa daños materiales y lesiones físicas.

NOTA: La bomba se utiliza para hacer circular el agua y filtrar pequeñas partículas. Para mantener el agua limpia y en perfectas condiciones higiénicas, es necesario el uso de productos químicos.

1. Se recomienda no llenar la piscina con agua proveniente de cuencas, pozos o drenajes: este tipo de agua generalmente contiene sustancias orgánicas contaminadas, incluyendo nitratos y fosfatos. Se aconseja llenar la piscina con agua proveniente de la red pública.
2. Mantenga la piscina siempre limpia y utilice los productos químicos para piscinas que correspondan. Un agua insalubre presenta serios riesgos para la salud. Se recomienda el uso de productos químicos desinfectantes, focalantes, ácidos o alcalinos para el tratamiento de su piscina.
3. Limpie el revestimiento de PVC regularmente con cepillos suaves o con un aspirador para piscinas.
4. Durante la temporada de uso de la piscina, el sistema de filtración del agua debe permanecer en marcha el tiempo suficiente cada día como para mantener limpia todo el volumen de agua de la piscina.
5. Compruebe el cartucho del filtro (o la arena en un filtro de arena) regularmente y reemplace los filtros sucios (o la arena).
6. Compruebe con regularidad los tornillos, los pernos y todas las piezas de metal para detectar la presencia de óxido. Cámbielos si fuera necesario.
7. Si llueve, compruebe que el nivel del agua no supera el nivel máximo especificado. Si el agua supera el nivel máximo especificado, drene la piscina hasta el nivel correcto.
8. No utilice la bomba mientras la piscina se encuentre en uso.
9. Cubra la piscina cuando no se vaya a utilizar.
10. Para el tratamiento del agua de la piscina, los niveles de pH son muy importantes.

ATENCIÓN: No deje la piscina vacía en el exterior.

Los siguientes parámetros garantizan la calidad del agua

Parámetros	Valores
Claridad del agua	vista clara del fondo de la piscina
Color del agua	no debería percibirse ningún color
Turbiedad en FNU/NTU	máx. 1,5 (preferiblemente menos de 0,5)
Concentración de nitratos en el agua de llenado en mg/l	máx. 20
Carbono orgánico total (TOC) en mg/l	máx. 4,0
Potencial de reducción contra Ag/AgCl 3,5 m KCl en mV	mín. 650
valor de pH	de 6,8 a 7,6
Cloro libre (sin ácido cianúrico) en mg/l	de 0,3 a 1,5
Cloro libre utilizado en combinación con ácido cianúrico en mg/l	de 1,0 a 3,0
Ácido cianúrico en mg/l	máx. 100
Cloro combinado en mg/l	máx. 0,5 (preferiblemente próximo a 0,0 mg/l)

ATENCIÓN: No utilice la bomba mientras la piscina esté en uso.

Durante la temporada de baño, el sistema de filtrado debe ponerse en funcionamiento todos los días durante el tiempo suficiente para asegurar por lo menos un ciclo de renovación completa del volumen total de agua.

Reparación

Compruebe la piscina para verificar que no haya fugas en las válvulas o las costuras, compruebe la esterilla de suelo para cualquier pérdida evidente de agua. No añada productos químicos hasta que no lo haya hecho.

NOTA: En caso de observarse una fuga de agua, repare la piscina usando el parche de reparación adhesivo sumergible incluido. Consulte las preguntas frecuentes (FAQ) para obtener más información.

Desmontaje

1. Desenrosque el tapón de la válvula de drenaje girando en sentido antihorario y retírelo.
 2. Conecte el adaptador a la manguera y coloque el otro extremo de la manguera en la zona donde va a vaciar la piscina. (Consulte las normativas locales para conocer las disposiciones en materia de drenaje).
 3. Enrosque el anillo de control del adaptador de la manguera en la válvula de drenaje girando en sentido horario. La válvula de drenaje se abrirá y el agua empezará a fluir automáticamente.
- ATENCIÓN:** El caudal de agua se puede ajustar con el anillo de control.
4. Una vez finalizado el vaciado, desenrosque el anillo de control para cerrar la válvula.
 5. Desconecte la manguera.
 6. Enrosque el tapón nuevamente en la válvula de drenaje.
 7. Deje secar la piscina al aire.

ATENCIÓN: No deje la piscina vacía en el exterior.

Almacenamiento y preparación para el invierno

1. Retire todos los accesorios y las piezas de repuesto de la piscina, guárdelos limpios y secos.
2. Cuando la piscina esté completamente seca, espolvoree con polvo de talco para evitar que las superficies de la piscina se adhieran entre sí y dóblela con cuidado. Si la piscina no está completamente seca, podría desarrollarse moho y dañar el revestimiento de la piscina.
3. Guarde el revestimiento y los accesorios en un lugar seco con una temperatura moderada, entre 5°C / 41°F y 38°C / 100°F.
4. Durante la estación lluviosa, la piscina y los accesorios deben almacenarse siguiendo las instrucciones anteriores.
5. Un drenaje inadecuado de la piscina podría provocar lesiones personales graves y/o daños materiales.
6. Recomendamos encarecidamente desmontar la piscina fuera de temporada (los meses de invierno). Guárdelo en un lugar seco fuera del alcance de los niños.

Garantía limitada del fabricante BESTWAY®

El producto que ha comprado viene acompañado de una garantía limitada. En Bestway® cumplimos nuestra garantía de calidad y le aseguramos, mediante una garantía de sustitución, que su producto estará libre de defectos de fabricación.

La siguiente disposición solo es válida en los estados miembros de la Unión Europea. La disposición legal de la directiva 1999/44/CE no se verá afectada por esta garantía limitada de BESTWAY.

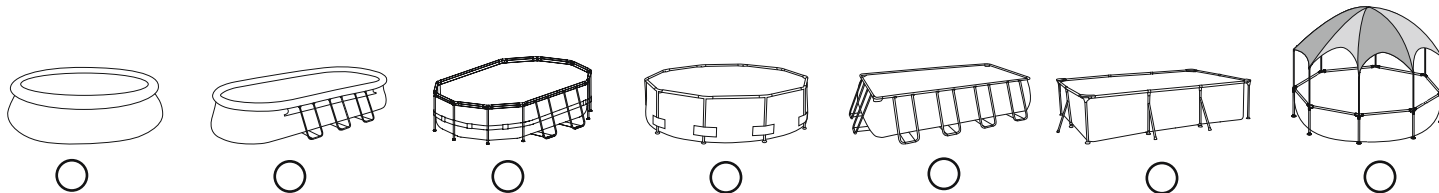
Si desea presentar una reclamación en garantía, cumplimente este impreso y envíelo a su centro de servicios posventa de Bestway local acompañado de una copia del recibo de compra. Antes de aceptar cualquier reclamación, el centro de servicios posventa de Bestway le pedirá que envíe una parte de la pieza defectuosa a dicho centro (por ejemplo, número de lote de fabricación recortado/válvula de drenaje). Póngase en contacto con su centro de servicios de posventa de Bestway antes de enviar cualquier documento; dicho centro le informará debidamente de lo necesario para tramitar su reclamación.

Bestway® no se responsabiliza por pérdidas económicas provocadas por costes químicos o de agua. Bestway® no restituirá ningún producto que pueda haber sido dañado a causa de una negligencia o que se haya utilizado incumpliendo las normas del manual del usuario.

La garantía de Bestway cubre los defectos de fabricación detectados al desembalar el producto o durante su uso, dentro de los límites de uso y siempre que se respeten las advertencias e instrucciones indicadas en el manual del usuario. Esta garantía se aplica solo a aquellos productos que no hayan sido modificados por terceros. El producto debe almacenarse y manipularse de acuerdo con las recomendaciones técnicas.

La garantía limitada será válida durante el plazo indicado anteriormente. La fecha de inicio de la garantía es la fecha de la venta que aparece en la factura o recibo de compra original.

Seleccione su tipo de piscina:



Fecha de compra: _____ Número de código de cliente: _____

PARA: Bestway® Service Department Fecha: _____

FAX/CORREO-E/TEL: Póngase en contacto con la dirección de su país que encontrará en la contraportada o en nuestra página web: www.bestwaycorp.com
Indique su dirección completa. **Nota:** Si los datos de la dirección no están completos, podrían producirse retrasos en los envíos.
Bestway se reserva el derecho a cobrar por el reenvío de paquetes no entregados por ausencia del destinatario.

INFORMACIÓN OBLIGATORIA - ESCRIBA LA DIRECCIÓN DE ENVÍO

Nombre: _____ Dirección: _____

Código postal: _____ Distribuidor: _____

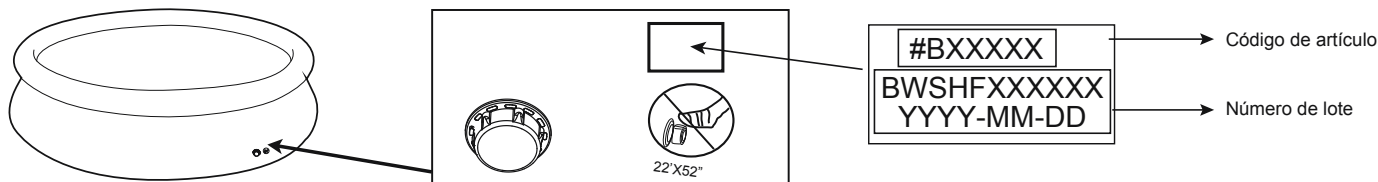
País: _____ Ciudad: _____

Móvil: _____ Teléfono: _____

Fax: _____ E-mail: _____

Escriba el número de lote y el código de artículo situado cerca de la válvula de drenaje

Número de lote: _____ Código de artículo: _____



Descripción del problema

La pieza está rota/tiene fugas Soldadura defectuosa Anillo superior defectuoso Válvula de drenaje defectuosa

Otros (describalos) Falta una pieza (utilice el código de la pieza que falta. Lo encontrará en el manual del usuario).

IMPORTANTE: SOLO SE SUSTITUIRÁ LA PIEZA DAÑADA, NO EL CONJUNTO COMPLETO.

Bestway se reserva el derecho a solicitar pruebas fotográficas de las piezas defectuosas, o a solicitar que se envíe la pieza para efectuar pruebas adicionales. Para poder ayudarle mejor, es importante que nos proporcione información exhaustiva.

PARA CONSULTAR FAQ, MANUALES, VÍDEOS O COMPRAR PIEZAS DE REPUESTO,
VISITE NUESTRA PÁGINA: www.bestwaycorp.com
TAMBIÉN ENCONTRARÁ VÍDEOS EN NUESTRO CANAL BESTWAY DE YOUTUBE: <http://youtube.com/user/BestwayService>.



POWER STEEL™ RECTANGULAR POOLS BENUTZERHANDBUCH



Besuchen Sie den YouTube-Kanal von Bestway

ACHTUNG

Vor dem Bau und der Benutzung des Schwimmbeckens werden sämtliche Informationen in dieser Anleitung sorgfältig gelesen, verstanden und befolgt. Diese Warnhinweise, Anleitungen und Sicherheitsrichtlinien umfassen einige allgemeine Risiken in Bezug auf Freizeitbeschäftigung im Wasser, sie können jedoch nicht sämtliche Risiken und Gefährdungen in allen Fällen behandeln. Bei jeglicher Aktivität im Wasser wird Vorsicht, gesunder Menschenverstand und gutes Urteilsvermögen walten gelassen. Diese Angaben werden für die spätere Nutzung aufbewahrt.

Sicherheit von Nichtschwimmern

- Es ist jederzeit eine ständige, aktive und wachsame Beaufsichtigung schwacher Schwimmer und Nichtschwimmer durch eine sachkundige erwachsene Aufsichtsperson erforderlich (es wird daran erinnert, dass das größte Risiko des Ertrinkens bei Kindern unter 5 Jahren besteht).
- Es wird eine sachkundige erwachsene Person bestimmt, die das Becken überwacht, wenn es benutzt wird.
- Schwache Schwimmer oder Nichtschwimmer sollten persönliche Schutzausrüstung tragen, wenn sie ins Schwimmbecken gehen.
- Wenn das Schwimmbecken nicht benutzt oder überwacht wird, werden sämtliche Spielsachen aus dem Schwimmbecken und seiner Umgebung entfernt, um zu verhindern, dass Kinder davon angezogen werden.

Sicherheitsvorrichtungen

- Um das Ertrinken von Kindern zu verhindern, wird empfohlen, den Zugang zum Schwimmbecken mit einer Schutzvorrichtung zu sichern. Um Kinder vom Klettern über das Einlass- und Auslassventil abzuhalten, Es wird empfohlen, eine Absperrung zu errichten (und sämtliche Türen und Fenster zu sichern, sofern zutreffend), um unberechtigten Zutritt zum Schwimmbecken zu vermeiden.
- Absperrungen, Beckenabdeckungen, Alarmanlagen oder ähnliche Sicherheitsvorrichtungen sind sinnvolle Hilfsmittel, ersetzen jedoch keine ständige und sachkundige Überwachung durch erwachsene Personen.

Sicherheitsausrüstung

- Es wird empfohlen, Rettungs-ausrüstung (z. B. einen Rettungsring) in der Nähe des Beckens aufzubewahren.
- Ein funktionierendes Telefon und eine Liste von Notrufnummern werden in der Nähe des Schwimmbeckens aufbewahrt.

Sichere Nutzung des Schwimmbeckens

- Sämtliche Nutzer, insbesondere Kinder, werden dazu ermuntert, schwimmen zu lernen.
- Erste Hilfe (Herz-Lungen-Wiederbelebung) erlernen und diese Kenntnisse regelmäßig auffrischen. Das kann bei einem Notfall einen lebensrettenden Unterschied ausmachen.
- Sämtliche Beckenbenutzer, einschließlich Kinder, anweisen, was in einem Notfall zu tun ist.
- Niemals in flaches Wasser springen. Das kann zu schweren Verletzungen oder zum Tode führen.
- Das Schwimmbecken nicht benutzen, wenn man unter dem Einfluss von Alkohol oder Medikamenten steht, welche die Fähigkeit zur sicheren Nutzung des Beckens beeinträchtigen können.
- Beckenabdeckungen vor dem Betreten des Schwimmbeckens vollständig von der Wasseroberfläche entfernen, wenn sie verwendet werden.
- Die Nutzer des Schwimmbeckens werden vor durch das Wasser verbreiteten Krankheiten geschützt, indem das Wasser stets aufbereitet und hygienisch unbedenklich gehalten wird. Die Richtlinien zur Wasseraufbereitung in der Gebrauchsanleitung werden zu Rate gezogen.
- Chemikalien (z. B. Produkte für die Wasseraufbereitung, Reinigung oder Desinfektion) außerhalb der Reichweite von Kindern aufbewahren.
- Die nachstehenden Zeichen werden verwendet. Die Zeichen sind an einer gut sichtbaren Stelle innerhalb von 2 000 mm in der Nähe des Schwimmbeckens anzubringen.



- Beaufsichtigen Sie stets Kinder in Poolumgebung und in Wassernähe. Keine Tauchsprünge.
- Abnehmbare Leitern sind auf einer waagerechten Fläche anzuordnen.
- zugängliche Flächen müssen regelmäßig überprüft werden, um Verletzungen zu vermeiden, unabhängig von den für den Bau des Schwimmbeckens verwendeten Materialien.
- Prüfen Sie regelmäßig Bolzen und Schrauben; entfernen Sie Späne, Spreißel sowie sämtliche scharfen Kanten, um Verletzungen zu vermeiden.
- **ACHTUNG!** Lassen Sie den entleerten Pool nicht im Freien. Der leere Pool neigt dazu, durch den Wind verformt und/oder verschoben zu werden.
- Wenn Sie über eine Filterpumpe verfügen, beachten Sie die Anweisungen des Filterpumpen-Handbuchs.
- **ACHTUNG!** Die Pumpe darf nicht betrieben werden, wenn sich Menschen im Pool aufhalten!
- Wenn Sie über eine Leiter verfügen, beachten Sie die Anweisungen des Leiter-Handbuchs.
- **ACHTUNG!** Die Nutzung eines Swimmingpools setzt die Einhaltung der im Betriebs- und Wartungshandbuch beschriebenen Sicherheitsanweisungen voraus. Um der Gefahr des Ertrinkens und anderer schwerer Unfälle vorzubeugen, achten sie besonders darauf, dass Kinder unter 5 Jahren den Pool nicht unerwartet betreten und sichern sie den Zugang entsprechend ab. Stellen Sie weiterhin während der Badezeiten eine konstante Beaufsichtigung der Kinder durch Erwachsene sicher.

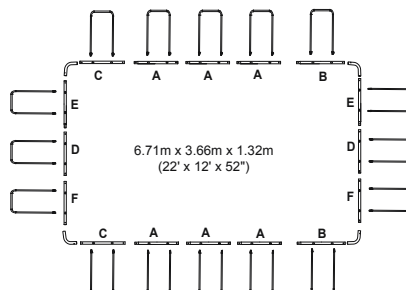
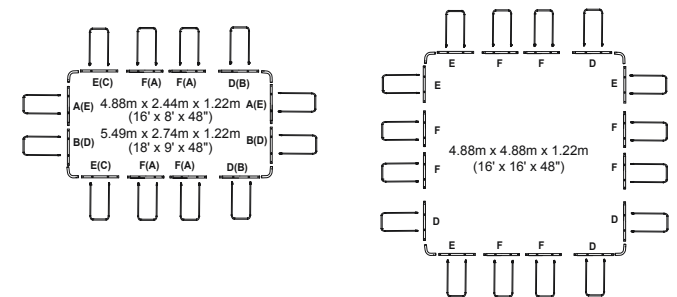
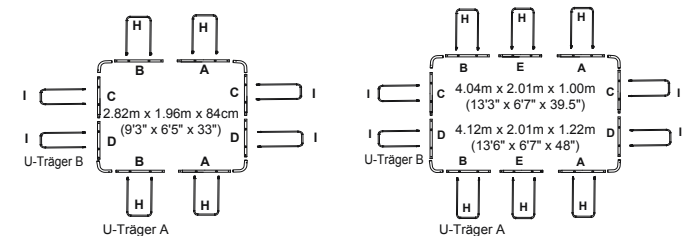
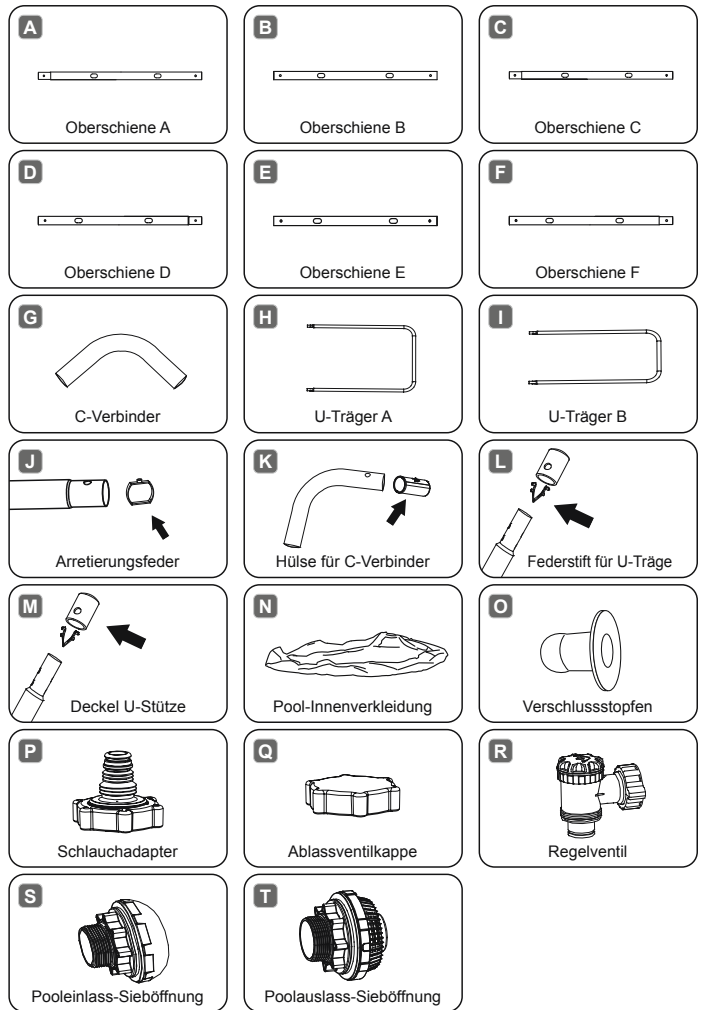
Bitte sorgfältig lesen und als künftige Referenz aufbewahren.

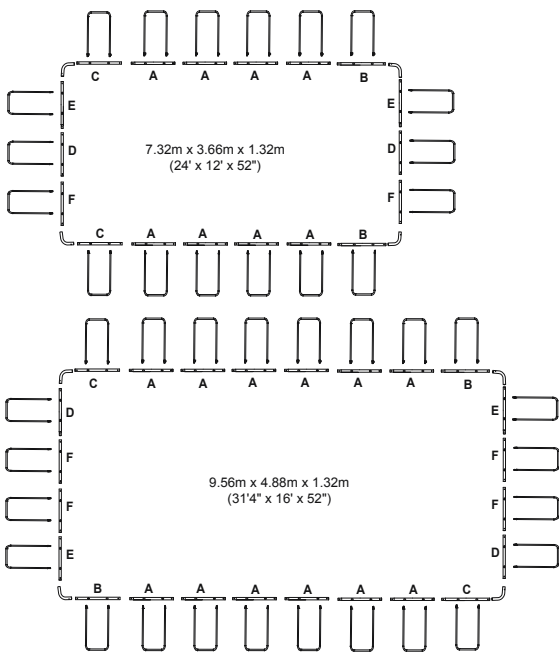
Die Montage durch 2-3 Personen erfordert in der Regel etwa 20-30 Minuten, exklusive ggf. erforderlicher Bodenarbeiten und Befüllung.

Siehe unten zur Beschreibung der Bauteile.

Bauteilübersicht:

HINWEIS: Einige Teile wurden bereits am Pool installiert.





HINWEIS: Zeichnung dient nur zu Illustrationszwecken. Abweichungen zum Produkt möglich. Nicht maßstabsgetreu.

BITTE AUFMERKSAM DURCHLESEN UND ZUM SPÄTEREN NACHSCHLAGEN AUFBEWAHREN.

WÄHLEN SIE EINE GEEIGNETE STELLE AUS

HINWEIS: Der Pool muss auf einer vollkommen flachen und ebenen Oberfläche aufgestellt werden. Installieren Sie den Pool nicht, wenn die Oberfläche geneigt oder abschüssig ist.

Erforderliche Voraussetzungen für den Aufbau des Pools:

- Der gewählte Bereich muss geeignet sein, das vollständige Gewicht über die gesamte Nutzungsdauer nach dem Aufbau des Pools zu tragen. Weiterhin muss der Untergrund eben und frei von Gegenständen und Verunreinigungen sein, inklusive Steinen und Zweigen.
- Wir empfehlen die Aufstellung in ausreichender Entfernung von Objekten, mit deren Hilfe Kinder in den Pool klettern könnten.

HINWEIS: Stellen Sie den Pool in der Nähe eines geeigneten Abflusssystems auf, um überlaufendes Poolwasser aufzufangen oder den Pool zu entleeren.

Ungeeignete Voraussetzungen für den Aufbau des Pools:

- Der Aufbau auf unebenem Untergrund kann zum Einstürzen des Pools und zu ernsthaften Verletzungen und / oder Sachschäden sowie zum Verlust jeglicher Garantie- und Service-Ansprüche führen.
- Es darf kein Sand verwendet werden, um einen ebenen Untergrund zu schaffen; der Untergrund muss ausgegraben werden, wenn erforderlich.
- Direkt unter Freileitungen oder Bäumen auf. Vergewissern Sie sich, dass der Bereich keine unterirdischen Versorgungsrohre, Leitungen oder Kabel jeglicher Art enthält.
- Stellen Sie den Pool nicht auf Zufahrtswegen, Veranden, Podesten, Kies- oder Asphalt-Oberflächen auf. Der gewählte Bereich muss dem Gewicht des Wassers standhalten; Schlamm, Sand, weicher / lockerer Erdboden oder Teer sind nicht geeignet.
- Rasen oder andere Vegetation wird unter dem Pool absterben, wodurch es zu Geruchs- und Schleimbildung kommen kann. Wir empfehlen daher, sämtliches Gras vor der Aufstellung aus dem gewählten Bereich zu entfernen.
- Meiden Sie Bereiche, die für aggressiv wachsende Pflanzen- und Unkrautarten anfällig sind, welche durch das Bodengewebe oder die Verkleidung treiben könnten.

HINWEIS: Informieren Sie sich bei Ihrer örtlichen Stadtverwaltung über Verordnungen bezüglich Einzäunung, Absperrung, Beleuchtung sowie Sicherheitsvorschriften und stellen Sie die Einhaltung aller Gesetze sicher.

HINWEIS: Wenn Sie über eine Filterpumpe verfügen, beachten Sie die Anweisungen des Filterpumpen-Handbuchs.

HINWEIS: Die Leiter muss für die Poolgröße geeignet sein und darf nur zum Betreten und Verlassen des Pools benutzt werden. Es ist untersagt, die zulässige Tragkraft der Leiter zu überschreiten. Prüfen Sie in regelmäßigen Abständen, ob die Leiter ordnungsgemäß montiert ist.

Installation

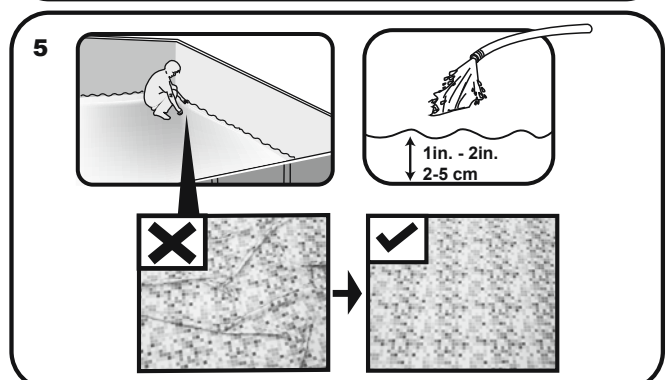
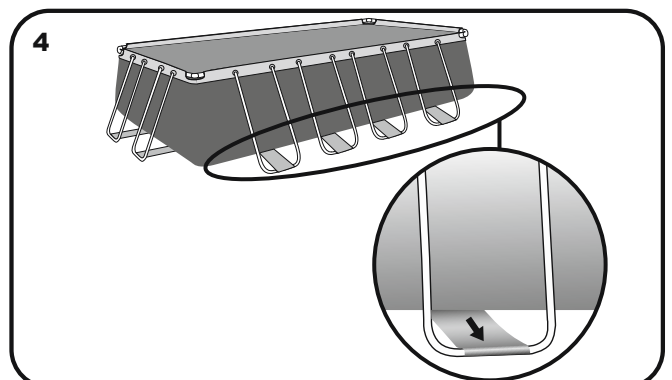
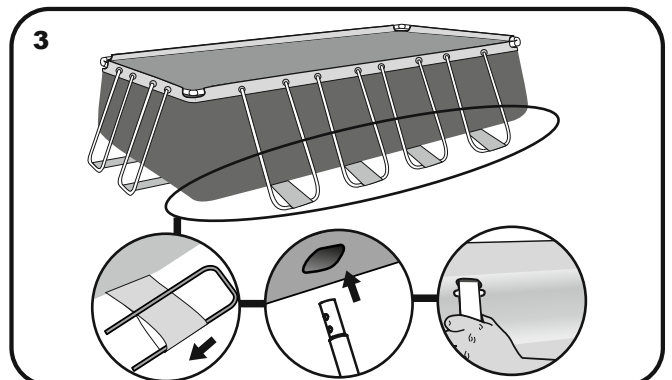
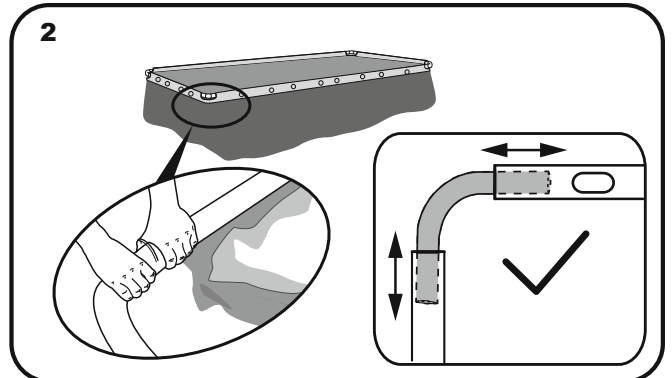
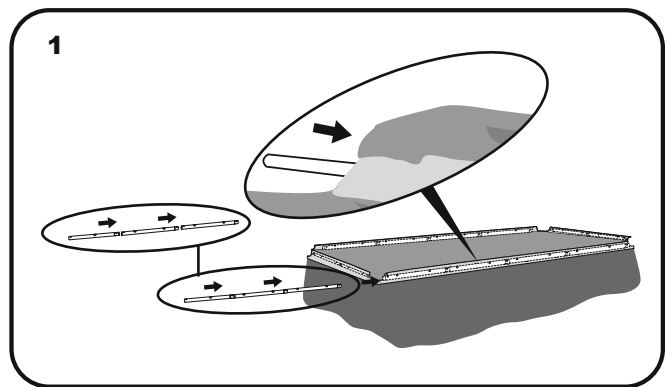
Der Rahmen des rechteckigen Pools kann ganz ohne Werkzeuge montiert werden.

Die Firma Bestway Inflatables kann nicht für Schäden am Pool durch die falsche Behandlung oder Nichtbeachtung dieser Anweisungen haftbar gemacht werden.

1. Breiten Sie alle Teile aus und überprüfen Sie die in der Bauteilliste angegebenen Stückzahlen. Sollte ein Teil fehlen, führen Sie keine Montage des Pools durch und kontaktieren Sie bitte den Bestway Kundendienst.
2. Falten Sie den Pool auseinander und prüfen Sie, dass die richtige Seite nach oben zeigt. Lassen Sie ihn für mindestens 1 Stunde dem direkten Sonnenlicht ausgesetzt, so dass der Pool während des Aufbaus flexibler ist.
3. Platzieren Sie den Pool in der Nähe eines geeigneten Abflusssystems, um überlaufendes Wasser ableiten zu können und stellen Sie sicher, dass Einlass A und Auslass B des Pools korrekt positioniert sind, damit Sie Ihre Filterpumpe an eine Spannungsversorgung anschließen können.

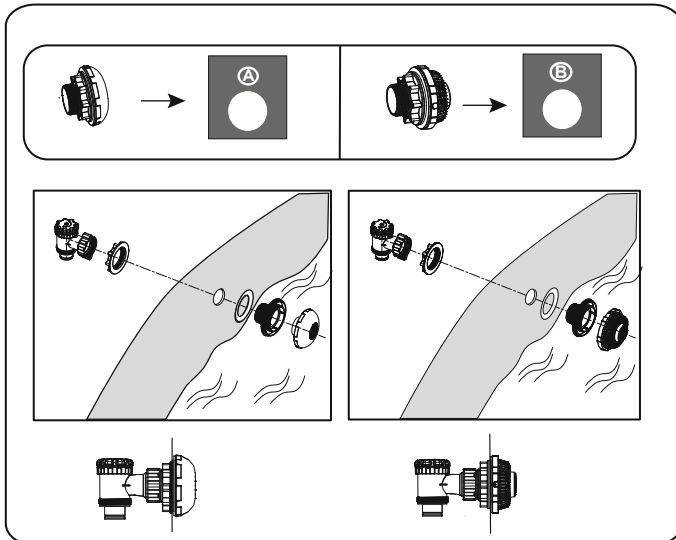
HINWEIS: Verwenden Sie keine Verlängerungskabel, um Ihre Pumpe anzuschließen.

ACHTUNG: Ziehen Sie den Pool nicht über den Boden, da dies den Pool beschädigen kann.

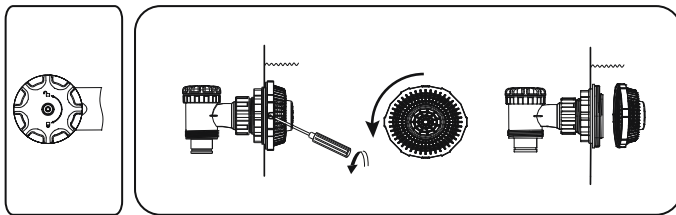


Montage Ventilverbindung

Bei Pools mit Anschlussventil.



HINWEIS: Wenn Sie über das Anschlussventil ein anderes Poolreinigungs-Kit anschließen möchten, verwenden Sie bitte einen Kreuzschlitzschraubendreher, um das Sieb im Innenbereich zu entfernen.



Füllen des Pools Mit Wasser

ACHTUNG: Lassen Sie den Pool während des Einfüllens des Wassers nicht unbeaufsichtigt.

1. Füllen Sie den Pool bis zu 90% seines Fassungsvermögens mit Wasser. **ÜBERFÜLLEN** Sie den Pool nicht, das dies zu einem Reißen führen kann. Bei starken Regenfällen müssen Sie unter Umständen etwas Wasser entleeren, um den richtigen Füllstand zu gewährleisten.

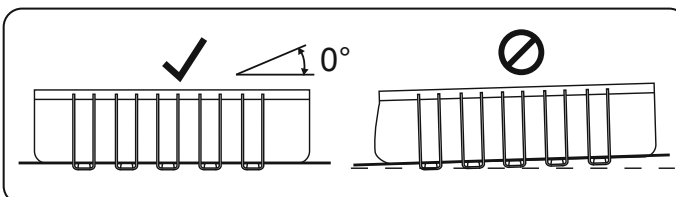
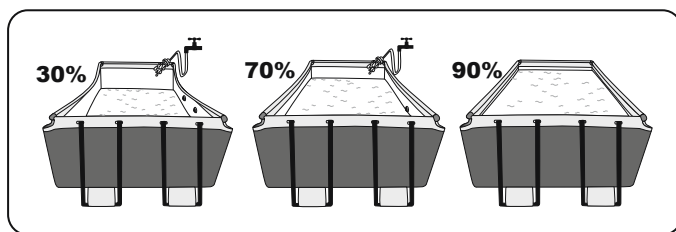
2. Nachdem der Pool vollständig befüllt ist, prüfen Sie, dass sich das Wasser nicht auf einer Seite sammelt, um zu gewährleisten, dass der Pool eben ist.

WICHTIG: Lassen Sie, wenn der Pool nicht eben ist, das Wasser ab und nivellieren Sie den Boden durch Aushub. Versuchen Sie nicht, den Pool mit darin befindlichem Wasser zu bewegen. Dabei kann es zu schweren Verletzungen oder Schäden am Pool kommen.

ACHTUNG: Der Pool kann eine Menge Druck enthalten. Wenn Ihr Pool Ausbuchtungen oder unebene Seiten aufweist, dann ist der Pool nicht auf einer Ebene. Die Seiten können platzen und das Wasser plötzlich entweichen, was zu schweren Verletzungen und / oder Sachschäden führen kann.

3. Prüfen Sie den Pool auf Leckstellen an den Ventilen oder Nähten. Kontrollieren Sie das Bodengewebe auf sichtbare Wasserleckstellen. Fügen Sie erst dann Chemikalien hinzu.

HINWEIS: Flicken Sie den Pool im Falle eines Lecks mit dem mitgelieferten wasserfesten, selbstklebenden Reparaturflicken. Für weitere Informationen wird auf die FAQ verwiesen.



POOLWARTUNG

ACHTUNG: Wenn Sie die hier ausgeführten Wartungsanweisungen nicht beachten, kann dies zu ernststen Gesundheitsgefahren führen, besonders für Ihre Kinder. Eine laufende Poolwasseraufbereitung ist von wesentlicher Bedeutung für die Sicherheit der Benutzer. Der unsachgemäße Einsatz von Chemikalien führt zu ernsthaften Personen- und Sachschäden. **HINWEIS:** Die Pumpe wird zur Wasserzirkulation und zum Ausfiltern kleiner Partikel verwendet. Um Ihr Poolwasser sauber und hygienisch zu halten, müssen auch Chemikalien hinzugefügt werden.

1. Es wird dringend empfohlen, den Pool nicht mit Regenwasser, Wasser aus Stau- und Auffangbecken, Spülungswasser und Drainagewasser zu befüllen: Diese Arten von Wasser enthalten in der Regel verschmutzte organische Substanzen, einschließlich Nitrate und Phosphate. Es wird empfohlen, Pools mit Wasser aus dem öffentlichen Wassernetz zu befüllen.
2. Halten Sie Ihren Pool stets sauber und fügen Sie die richtigen Poolchemikalien hinzu. Unhygienisches Wasser stellt eine ernsthafte Gesundheitsgefährdung dar. Es wird empfohlen, Desinfektionsmittel, Flockungsmittel und saure oder alkalische Chemikalien für die Wasseraufbereitung in Ihrem Pool zu verwenden.
3. Reinigen Sie regelmäßig die PVC-Innenverkleidung mit nicht scheuernden Bürsten oder einem Vakuum-Poolreiniger.
4. Während der Badesaison muss das Filtersystem täglich ausreichend lange laufen, um das gesamte Poolwasser zu reinigen.
5. Überprüfen Sie regelmäßig die Filterkartusche (bzw. den Sand in einem Sandfilter) und tauschen Sie verschmutzte Kartuschen (bzw. verschmutzten Sand) aus.
6. Überprüfen Sie regelmäßig die Schrauben, Bolzen und alle anderen Metallteile auf Rost. Ersetzen Sie diese, wenn erforderlich.
7. Überprüfen Sie bei Regen, dass der Wasserstand nicht über die zulässige Höhe steigt. Übersteigt der Wasserstand die zulässige Höhe, lassen Sie so viel Wasser aus dem Pool ab, dass die zulässigen Grenzwerte eingehalten werden.
8. Betreiben Sie die Pumpe nicht, während der Pool benutzt wird.
9. Decken Sie den Pool ab, wenn er nicht benutzt wird.
10. Für die Poolwasseraufbereitung ist der pH-Wert sehr wichtig.

ACHTUNG: Lassen Sie den entleerten Pool nicht im Freien. Die folgenden Parameter gewährleisten gute Wasserqualität

Parameter	Werte
Klarheit des Wassers	Klare Sicht auf den Poolboden
Farbe des Wassers	Es sollte keine Verfärbung ersichtlich sein
Trübung in FNU/NTU	max. 1,5 (vorzugsweise weniger als 0,5)
Nitratkonzentration oberhalb des natürlichen Gehaltes des Füllwassers in mg/l	max. 20
Gesamter organischer Kohlenstoff (TOC) in mg/l	max. 4,0
Redoxpotential gegen Ag/AgCl 3,5 m KCl in mV	min. 650
pH-Wert	6,8 bis 7,6
Freies aktives Chlor (ohne Cyanursäure) in mg/l	0,3 bis 1,5
Freies Chlor, verwendet in Verbindung mit Cyanursäure in mg/l	1,0 bis 3,0
Cyanursäure in mg/l	max. 100
Gebundenes Chlor in mg/l	max. 0,5 (vorzugsweise nahe bei 0,0 mg/l)

ACHTUNG: Bitte schalten Sie die Pumpe bei Poolbenutzung aus. Während der Pool-Saison muss das Filtersystem täglich ausreichend in Betrieb sein, um eine komplette Aufbereitung des Wassers zu gewährleisten.

Reparatur

Prüfen Sie den Pool sorgfältig auf Lecks aus Ventilen oder Nähten und prüfen Sie die Bodenplane auf erkennbare Wasserverluste. Geben Sie keine Chemikalien hinzu, bevor Sie dies getan haben.

HINWEIS: Flicken Sie den Pool im Falle eines Lecks mit dem mitgelieferten wasserfesten, selbstklebenden Reparaturflicken. Für weitere Informationen wird auf die FAQ verwiesen.

Demontage

1. Schrauben Sie die Kappe des Ablassventils gegen den Uhrzeigersinn ab und entfernen Sie die Kappe.
2. Verbinden Sie den Adapter mit dem Schlauch und bringen Sie das andere Ende in dem Bereich an, in den Sie das Poolwasser ableiten möchten. (Halten Sie sich an die örtlichen Bestimmungen und Verordnungen zur Wasserableitung).
3. Schrauben Sie den Steuerring des Schlauchadapters im Uhrzeigersinn auf das Ablassventil. Das Ablassventil wird geöffnet und das Wasser beginnt automatisch abzulaufen.

ACHTUNG: Der Wasserfluss kann mit dem Steuerring reguliert werden.

4. Schrauben Sie den Steuerring nach dem Entleeren wieder zu, um das Ventil zu schließen.
5. Entfernen Sie den Schlauch.
6. Schrauben Sie die Kappe wieder auf das Ablassventil.
7. Lassen Sie den Pool an der Luft trocknen.

ACHTUNG: Nach dem Trocknen in geschlossenen Räumen lagern.

Lagerung und Überwinterung

1. Entfernen Sie sämtliches Zubehör und alle Ersatzteile vom Pool und lagern Sie diese sauber und trocken.
2. Ist der Pool vollständig getrocknet, bestäuben Sie ihn mit Talkumpuder, um ein Zusammenhaften zu vermeiden, und falten Sie den Pool vorsichtig zusammen. Ist der Pool nicht vollständig getrocknet, kann sich Schimmel bilden, der die Innenverkleidung des Pools beschädigt.
3. Lagern Sie die Innenverkleidung und das Zubehör an einem trockenen Ort bei gemäßigten Temperaturen zwischen 5 °C / 41 °F und 38 °C / 100 °F.
4. Während der Regenzeit müssen der Pool sowie alle Zubehöreile auch wie oben ausgeführt gelagert werden.
5. Eine unsachgemäße Entleeren des Pools kann zu ernststen Personen- und/oder Sachschäden führen.
6. Wir empfehlen dringend, den Pool außerhalb der Badesaison (während der Wintermonate) abzubauen. Lagern Sie ihn an einem trockenen Ort außerhalb der Reichweite von Kindern.

Eingeschränkte BESTWAY® Herstellergewährleistung

Das von Ihnen erworbene Produkt unterliegt einer eingeschränkten Gewährleistung. Bestway® steht hinter seiner Qualitätsgarantie und versichert, durch eine Austausch-Gewährleistung, dass Ihr Produkt frei von herstellungsbedingten Defekten ist.

Die nachstehende Vorschrift ist nur in EU-Mitgliedstaaten gültig. Die gesetzliche Regelung der Richtlinie 1999/44/EG bleibt durch diese eingeschränkte Bestway Gewährleistung unberührt.

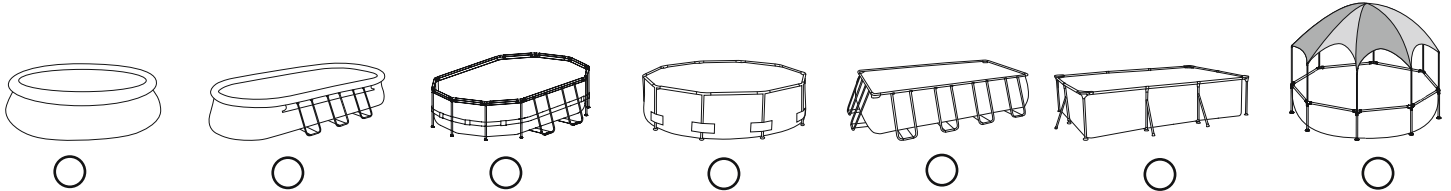
Um Gewährleistungsansprüche geltend zu machen, muss dieses Formular ausgefüllt und mit einer Kopie Ihres Empfangs-/Kaufbelegs versehen an Ihren lokalen Bestway Kundendienst (Bestway Aftersales Center) gesendet werden. Bevor Ihre Ansprüche akzeptiert werden können, wird das Bestway Aftersales Center Sie möglicherweise um die Zusendung defekter Teile (z. B. Ausschnitt der Seriennummer / Ablassventil) bitten. Bitte wenden Sie sich vor dem Absenden von Dokumenten an den lokalen Bestway Kundendienst. Dieser informiert Sie darüber, was für Ihren Gewährleistungsanspruch benötigt wird.

Bestway® haftet nicht für wirtschaftliche Schäden aufgrund von Kosten für Wasser und Chemikalien. Bestway® ersetzt keinerlei Produkte, die als nachlässig behandelt oder außerhalb der Richtlinien des Benutzerhandbuchs verwendet angesehen werden.

Die Bestway Gewährleistung deckt Herstellungsmängel ab, die beim Auspacken oder während der Verwendung des Produkts innerhalb der Nutzungsbeschränkungen sowie unter Berücksichtigung der Warnhinweise und Anweisungen des Benutzerhandbuchs entdeckt werden. Diese Gewährleistung erstreckt sich ausschließlich auf Produkte, welche nicht durch jedwede Drittparteien modifiziert wurden. Die Lagerung und die Handhabung des Produkts müssen entsprechend der technischen Empfehlungen erfolgen.

Die eingeschränkte Gewährleistung gilt für den oben angegebenen Zeitraum. Als Beginn des Gewährleistungszeitraums gilt das Datum des ursprünglichen Empfangs-/Kaufbelegs.

Bitte wählen Sie die Art Ihres Pools aus:



Kaufdatum: _____ Kundennummer: _____

AN: Bestway® Kundendienst Datum: _____

FAX/E-MAIL/TEL: Bitte beachten Sie die Hinweise für Ihr Land entsprechend der Informationen auf der Rückseite der Produktverpackung oder auf unserer Website: www.bestwaycorp.com

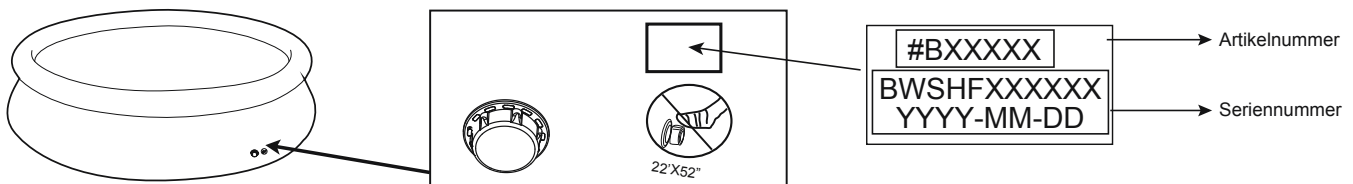
Bitte geben Sie Ihre vollständige Anschrift an. **Hinweis:** Unvollständige Adressdaten führen zu Versandverzögerungen. Bestway behält sich das Recht vor, die Kosten für unberechtigte Rücklieferungen in Rechnung zu stellen.

ERFORDERLICHE INFORMATIONEN - BITTE GEBEN SIE DIE LIEFERADRESSE AN

Name: _____ Anschrift: _____
 PLZ: _____ Händler: _____
 Land: _____ Stadt: _____
 Handy: _____ Telefon: _____
 Fax: _____ E-mail: _____

Bitte geben Sie die Seriennummer und die Artikelnummer an, die sich in der Nähe des Ablassventils befinden

Seriennummer: _____ Artikelnummer: _____



Problembeschreibung

- Risse im Artikel / Leckage
 Fehlerhaftes Verschweißen
 Fehlerhafter oberer Ring
 Fehlerhaftes Ablassventil
 Sonstiges (bitte beschreiben)
 Fehlendes Teil (Bitte verwenden Sie die Artikelnummer des fehlenden Teils. Diese finden Sie im Benutzerhandbuch.)

WICHTIG: ES WIRD LEDIGLICH DAS BESCHÄDIGTE TEIL AUSGETAUSCHT, NICHT DAS GESAMTE SET.

Bestway behält sich das Recht vor, fotografische Nachweise für defekte Teile oder die Zusendung des Artikels für weitere Prüfungen anzufordern. Um Ihnen bestmögliche Hilfestellung bieten zu können, bitten wir Sie um vollständige Angaben.

FÜR FAQ, HANDBÜCHER, VIDEOS ODER ERSATZTEILE BESUCHEN SIE BITTE UNSERE WEBSITE: www.bestwaycorp.com
 VIDEOS SIND AUCH AUF UNSEREM BESTWAY CHANNEL BEI YOUTUBE ERHÄLTLICH: <http://youtube.com/user/BestwayService>.



SUORAKULMAISET POWER STEEL™ -ALTAAT KÄYTTÖOPAS



Käy katsomassa Bestwayn YouTube-kanavaa

VAROITUS

Lue huolellisesti, ymmärrä ja noudata kaikkia tämän käyttöoppaan tietoja ennen uima-altaan asennusta ja käyttöä. Nämä varoitukset, ohjeet ja turvallisuusohjeet koskevat yleisiä vedessä virkistämisen riskejä, mutta ne eivät pysty kattamaan kaikkia riskejä ja vaaroja kaikissa tapauksissa. Ole aina varovainen, käytä tervettä järkeä ja hyvää arvostelukykyä, kun olet vedessä. Säilytä nämä tiedot myöhemmä käyttöä varten.

Uimataidottomien turvallisuus

- Jatkuva, aktiivinen ja tarkkaavainen heikkojen uimareiden tai uimataidottomien valvonta pätevän aikuisen toimesta vaaditaan kaikkina aikoina (muistaen, että alle 5-vuotiaat lapset ovat suurimmassa hukkumisvaarassa).
- Määrää pätevä aikuinen valvomaan altaasta joka kerta, kun sitä käytetään.
- Heikkojen uimareiden tai uimataidottomien tulisi käyttää henkilönsuojalaitteita altaassa.
- Kun allas ei ole käytössä tai se on vartioimaton, poista kaikki lelut altaasta ja sen ympäristöstä, jotta lapsilla ei olisi houkutusta mennä altaalle.

Turvallitteet

- Jotta lapsia estettäisiin hukkumasta, suosittelemme sulkemaan pääsyn altaalle suojalaitteella. Jotta lapsia estettäisiin kiipeämästä sisään- ja ulostuloventtiiliin, suosittelemme asentamaan esteen (ja lukitsemaan kaikki ovet ja ikkunat, kun sovellettavissa) luvattoman pääsyn estämiseksi altaaseen.
- Reunat, allaspeitteet, allashälyttimet tai vastaavat turvallitteet ovat hyödyllisiä apuvälineitä, mutta ne eivät korvaa jatkuvaa ja pätevää aikuisen valvontaa.

Turvallitteisto

- Suosittelemme säilyttämään pelastuslaitteistoja (esim. pelastusrenkas) altaalla.
- Pidä toimiva puhelin ja luettelo hätäpuhelinnumeroista lähellä altaasta.

Altaan turvallinen käyttö

- Kannusta kaikkia käyttäjiä, erityisesti lapsia opettelemaan uimaan
- Opi perusensiapu (paineluvetytys) ja päivitä tätä osaamista säännöllisesti. Tämä voi pelastaa elämän hätätilanteessa.
- Ohjeista kaikkia altaan käyttäjiä, lapset mukaan lukien, mitä tehdä hätätilanteessa
- Älä koskaan sukella altaan matalaan osaan. Tämä voi aiheuttaa vakavan vamman tai kuoleman.
- Älä käytä uima-allasta, kun käytät alkoholia tai lääkitystä, jotka voivat heikentää kykyäsi käyttää altaasta turvallisesti.
- Kun allaspeitteitä käytetään, poista ne kokonaan altaan pinnalta ennen altaaseen menoa.
- Suojaa altaan käyttäjiä veteen liittyviltä sairauksilta pitämällä altaan vesi käsiteltyä ja noudattamalla hyviä hygieniakäytäntöjä. Katso vedenkäsittelyohjeita käyttöoppaasta.
- Säilytä kemikaalit (esim. vedenkäsittely-, puhdistus- tai desinfiointituotteet) poissa lasten ulottuvilta.
- Käytä alla esitettyjä opasteita. Opasteet on sijoitettava näkyvälle paikalle enintään 2 m altaasta.



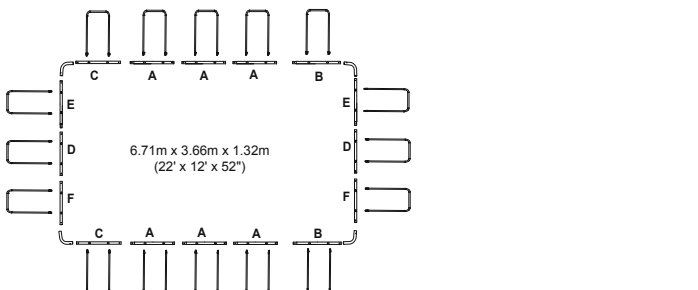
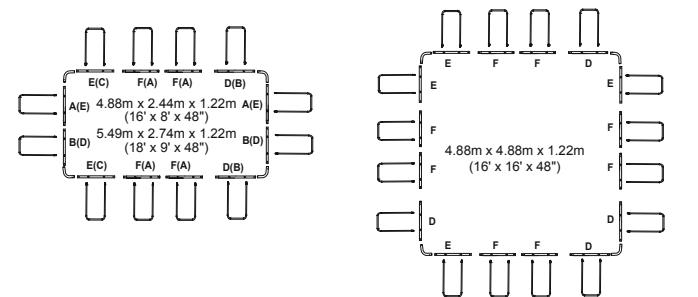
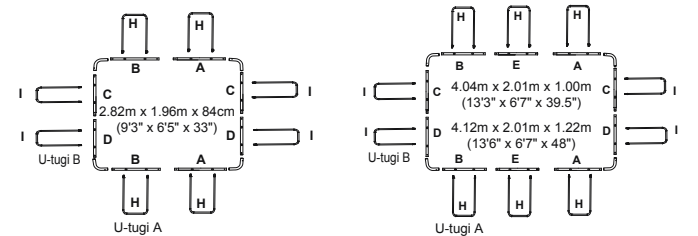
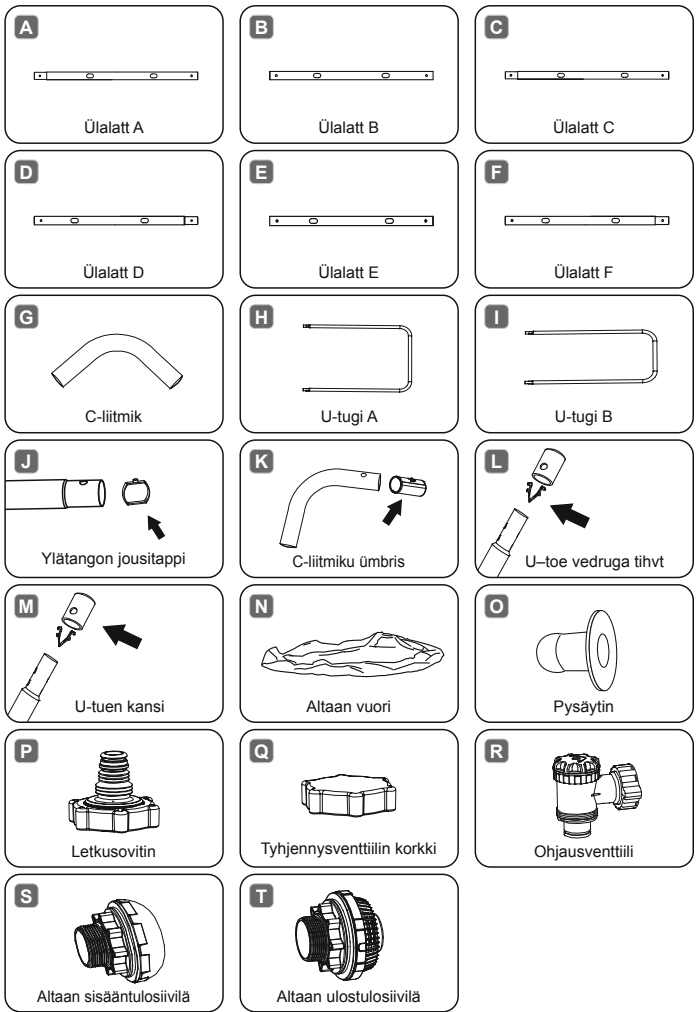
- Älä jätä lapsia ilman valvontaa, kun lähistöllä on vettä. Ei sukeltamista.
- Irrotettavat tikkaat on sijoitettava tasaiselle pinnalle.
- Riippumatta altaan rakentamiseen käytetyistä materiaaleista, käytettävissä olevat pinnat on tarkastettava säännöllisesti vammojen välttämiseksi.
- Tarkasta pulkit ja ruuvit säännöllisesti. Poista tikut tai muut terävät reunat vammojen välttämiseksi.
- **HUOMIO:** Älä jätä tyhjennettyä altaasta ulos. Tyhjä altaan muoto voi vääristyä ja/tai allas voi siirtyä paikaltaan tuulen vuoksi.
- Jos suodatinpumppu asennetaan, noudata pumpun ohjekirjan ohjeita.
- **VAROITUS!** Pumpua ei saa käyttää, kun altaassa on ihmisiä!
- Jos tikkaat asennetaan, noudata tikkaiden ohjekirjan ohjeita.
- **VAROITUS!** Uima-altaan käyttö viittaa käyttö- ja huolto-oppaassa kuvattujen turvallisuusohjeiden noudattamiseen. Hukkumisen tai muiden vakavien vammojen estämiseksi kiinnitä erityistä huomiota alle 5-vuotiaiden lasten odottamattomaan pääsyyn altaalle lukitsemalla pääsy sille, ja uinnin aikana pätevän aikuisen on valvottava heitä jatkuvasti.

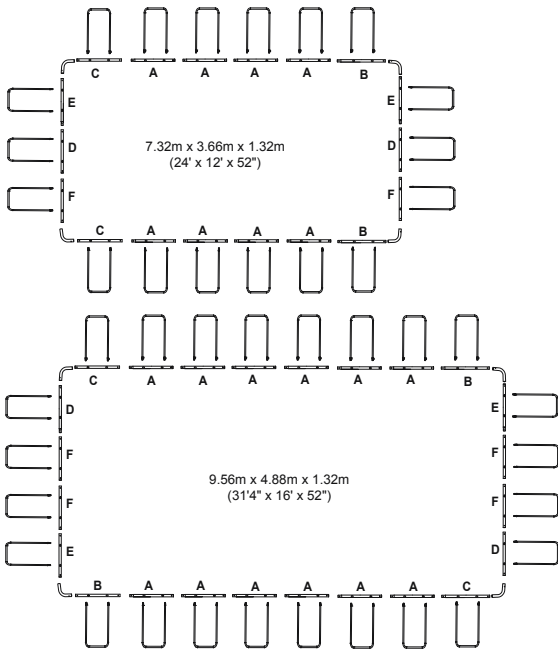
Lue nämä tiedot huolellisesti ja säilytä mahdollista tulevaa tarvetta varten

Asennus kestää yleensä noin 20-30 minuuttia, kun asennuksessa on mukana 2-3 henkilöä. Aikaan ei lueta mukaan uima-altaan sijoituspaikan maan käsittelyä ja altaan täyttämistä. Seuraavassa on osien kuvaukset.

Osaluettelo:

HUOMAA: Jotkin osat on jo asennettu altaaseen.





MÄRKUS. Kõik joonised on vaid illustratiivsed. Ei pruugi kujutada tegelikku toodet. Ei ole skaleeritav.

LUE HUOLELLISESTI JA SÄÄSTÄ TULEVAAT KÄYTTÖÄ VARTEN.

VALITSE ASIANMUKAINEN SIOJITUSPAIKKA

HUOMAA: Allas on asetettava täysin tasaiselle ja vaakasuoralle pinnalle. Älä asenna allasta, jos pinta on kalteva.

Oikeat olosuhteet altaan asennukseen:

- Valitun sijainnin on pystyttävä tukemaan tasaisesti painoa koko altaan asennuksen ajan. Lisäksi sijainnin on oltava tasainen ja se on tyhjennettävä kaikista esineistä ja roskista mukaan lukien kivet ja risut.

- Suosittelemme altaan sijoittamista pois sellaisista esineistä, joita lapset voisivat käyttää altaaseen kiipeämiseen.

HUOMAA: Sijoita allas lähelle riittävää viemärijärjestelmää, joka käsittelee ylivuodot tai altaan päästöt.

Virheelliset olosuhteet altaan asennukseen:

- Allas voi romahtaa epätasaisella alustalla aiheuttaen vakavia henkilövammoja ja/tai omaisuusvaurioita. Tämä mitätöi takuun ja estää huoltovaatteet.
- Hiekkaa ei saa käyttää tasaisen pohjan luomiseen; alustaa on kaivettava tarvittaessa.
- Suoraan sähkölinjojen tai puiden alle. Varmista, että sijoituspaikka ei sisällä maanalaista sähkö- ja vesi- tai lämmitysputkia, -letkuja tai kaapeleita.
- Älä asenna allasta ajoteille, kansille, alustoille, sora- tai asfalttipinnoille. Valitun sijoituspaikan on oltava riittävän kova kestämään veden painetta. Muta, hiekka, pehmeä/irtonainen maaperä tai piki eivät ole sopivia.
- Ruoho tai muu kasvillisuus altaan alla kuolee ja voi aiheuttaa hajujen tai liejun kehittymistä. Siksi suosittelemme poistamaan kaiken ruohon altaan valitusta sijoituspaikasta.
- Vältä alueita, joissa on aggressiivisia kasvi- tai rikkaruoholajikkeita, jotka voivat kasvaa pohjakankaan tai allasmuovin läpi.

HUOMAA: Tarkasta paikalliselta rakennusviranomaiselta säännöt, jotka koskevat aitoja, esteitä, valaistusta ja turvavaatimuksia, ja varmista, että noudatetaan kaikkia lakeja.

HUOMAA: Jos sinulla on suodatinpumppu, lue pumpun käyttöohjeet.

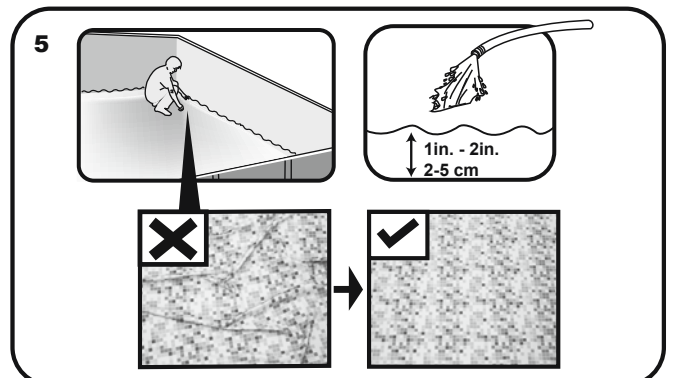
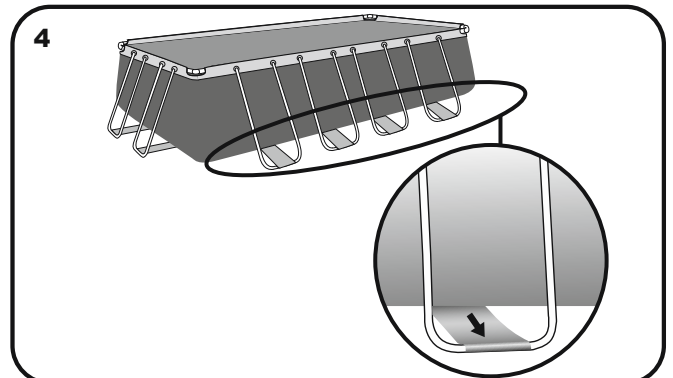
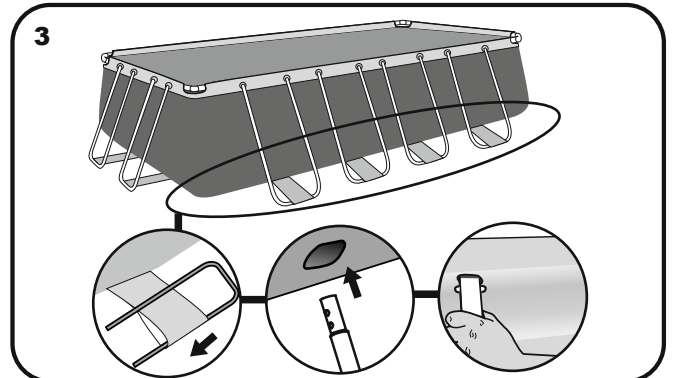
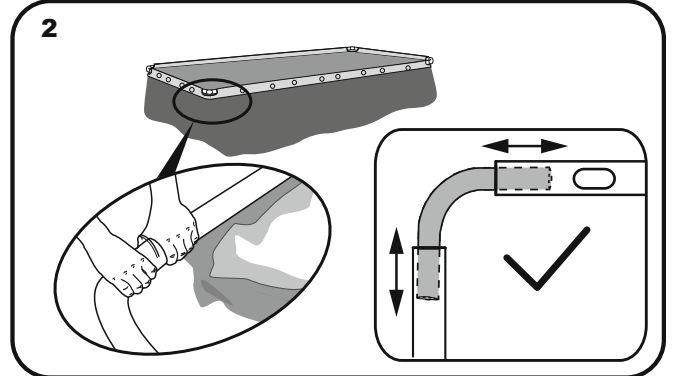
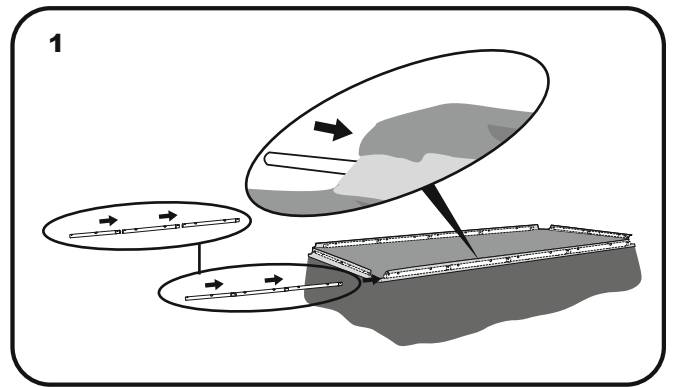
HUOMAA: Tikkaiden on sovittava altaan kokoon, ja niitä saa käyttää vain altaaseen siirtymiseen tai sieltä poistumiseen. Tikkaiden sallitun hyötykuorman ylittäminen on kiellettyä. Tarkasta säännöllisesti, ovatko tikkaat asianmukaisesti koottu.

Asennus

Suorakulmareunusallas voidaan koota ilman työkaluja.

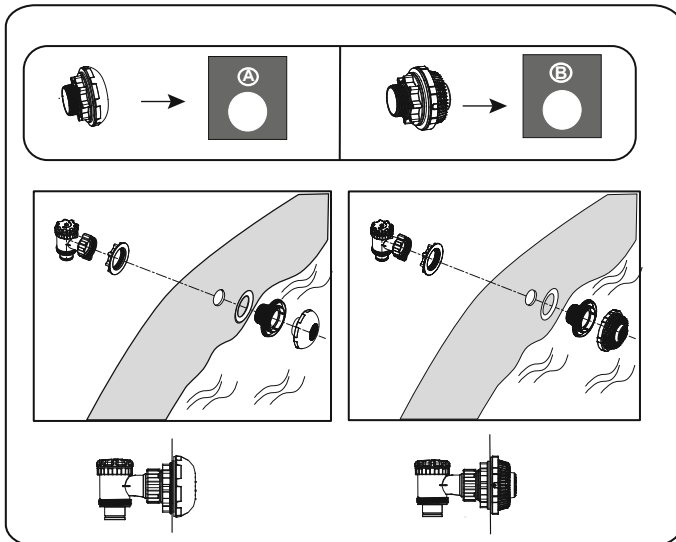
Bestway Inflatables ei vastaa altaan vahingoista, jotka aiheutuvat väärästä käsittelystä tai näiden ohjeiden noudattamatta jättämisestä.

1. Levitä kaikki osat ja tarkasta, että sinulla on oikeat määrät osaluettelon määrittämällä tavalla. Jos sinulta puuttuu joitain osia, älä kokoa allasta, vaan ota yhteyttä Bestwayn asiakaspalveluun.
 2. Levitä allas ja varmista, että se on oikein päin. Anna sen olla suorassa auringonvalossa vähintään 1 tunnin ajan, jotta se on joustavampi asennuksen aikana.
 3. Sijoita allas sopivan viemäriönnin läheisyyteen ylivuotavan veden varalta ja varmista, että altaan sisääntulo A ja ulostulo B ovat oikein asetettu siten, että suodatinpumppu voidaan kytkeä voimanlähteeseen. **Huomaa:** Älä käytä jatkojohtoja pumpun virransyöttöön.
- HUOMIO:** Älä raahaa allasta maata pitkin, sillä tämä voi vahingoittaa allasta.

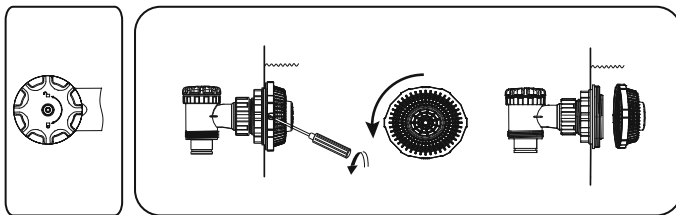


Ühendusklaapi koost

Allas, jossa on kytkentäventtiili.



MÄRKUS. Kui soovite ühendada ühendusklaapi kaudu mõnda teist puhastuskomplekti, kasutage prahifiltri liitmikult eemaldamiseks ristpeaga kruvikeerajat.



Altaan Täyttäminen Vedellä

HUOMAA: Älä jätä allasta valvomatta täytön aikana.

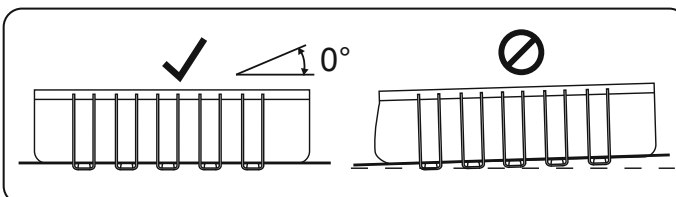
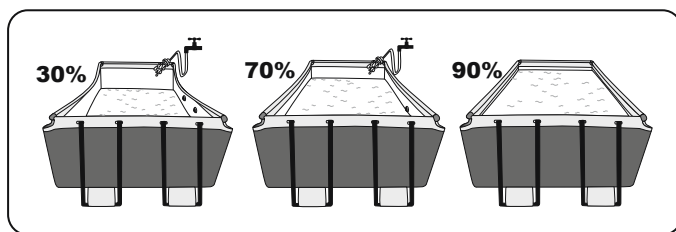
- Täytä allasta 90%:n tilavuuteen. **ÄLÄ TÄYTÄ LIIKAA**, koska silloin allas voi romahtaa. Rankkasateella voit joutua tyhjentämään osan vedestä varmistaksesi, että veden taso on oikea.
- Kun altaan täyttö on valmis, tarkista, että vesi ei nouse enemmän jollain sivulla, jolloin allas ei ole suorassa.

TÄRKEÄÄ: Jos allas ei ole suorassa, tyhjennä vesi ja tasaa alusta kaivamalla. Älä koskaan yritä siirtää allasta, jossa on vettä. Seurauksena voi olla vakava henkilövahinko tai altaan vahingoittuminen.

VAROITUS: Teie basseini võib olla kõrge surve all. Kui basseiniil on mõni pundunud koht või ebaühtlane külg, ei ole basseini loodis, küljed võivad puruneda ja vesi võib ootamatult välja paiskuda, põhjustades tõsiseid kehavigastusi ja/või varalist kahju.

- Tarkista, ettei allas vuoda venttiileistä tai saumoista. Tarkista maakankaasta mahdolliset vuodot. Älä lisää kemikaaleja ennen tämän vaiheen suorittamista.

HUOMAA: Mikäli vuotoja on, paikkaa altaasi käyttämällä mukana toimitettua vedessä käytettävää korjauspaikkaa. Katso usein kysytyjä kysymyksiä saadaksesi lisätietoja.



ALTAAN HUOLTO

VAROITUS: Jos et noudata tässä annettuja kunnossapito-ohjeita, terveytesi ja erityisesti lapsiesi terveys voi vaarantua. Allasveden käsittely on oleellista käyttäjien turvallisuuden kannalta. Kemikaalien epäasianmukainen käyttö aiheuttaa omaisuusvahinkoja ja henkilövahinkoja.

HUOMAA: Pumpua käytetään kierrättämään vettä ja suodattamaan pienihiukkaset. Altaan veden pitämiseksi puhtaana ja hygieenisena siihen on lisättävä kemikaaleja.

- Suosittelemme, että allasta ei täytetä valumavedellä, porausvedellä tai viemärivedellä. nämä vedet yleisesti sisältävät saastuneita orgaanisia aineita mukaan lukien nitraatit ja fosfaatit. Altaiden täyttöä vedellä julkisesta verkosta suositellaan.
- Pidä allas aina puhtaana ja käytä oikeita allaskemikaaleja. Epähygieeninen vesi on vakava terveysriski. Suosittelemme käyttämään desinfiointiainetta, hiutaloitamisainetta, happamia tai emäksisiä kemikaaleja altaan käsittelyyn.
- Puhdista PVC-allasmuovi säännöllisesti hankaamattomilla harjoilla tai allasimurilla.
- Vedensuodatusjärjestelmää on käytettävä koko kauden ajan päivittäin riittävän pitkään, jotta se ehtii puhdistaa kaiken altaassa olevan veden.
- Tarkasta suodatinpatruuna (tai hiekka hiekkasuodattimessa) säännöllisesti ja vaihda liikkeet patruunat (tai hiekka).
- Tarkista ruuvit, pultit ja kaikki metalliosat säännöllisesti ruostumisen varalta. Vaihda tarvittaessa.
- Jos sataa, tarkista, ettei veden pinta ole korkeammalla kuin ohjeiden mukaisella tasolla. Jos veden pinta ylittää ohjeiden mukaisen tason, tyhjennä allasta ohjeiden mukaiselle tasolle.
- Älä käytä pumpua altaan ollessa käytössä.
- Peitä allas, kun sitä ei käytetä.
- Allasveden käsittelyn kannalta pH-arvo on erittäin tärkeä.

HUOMIO: Älä jätä tyhjennettyä allasta ulos.

Seuraavat parametrit varmistavat hyvän vedenlaadun

Parametrit	Arvot
Veden kirkkkaus	selkeä näkyvyys altaan pohjaan
Veden väri	mitään väriä ei saisi havaita
Sameus FNU/NTU:ssa	maks 1,5 (mieluiten alle 0,5)
Nitraattipitoisuus enemmän kuin täyttövadessa mg/l	maks. 20
Orgaanisen hiilen kokonaismäärä (TOC) mg/l	maks. 4,0
Redokspotentiaali vastaan Ag/AgCl 3,5 m KCl mV:ssä	väh. 650
pH-arvo	6,8 - 7,6
Vapaa aktiivinen kloori (ilman syanurihappoa) mg/l	0,3 - 1,5
Vapaa kloori käytettynä yhdessä syanuri-hapon kanssa mg/l	1,0 - 3,0
Syanurihappoa mg/l	maks. 100
Yhdistetty kloori mg/L	maks. 0,5 (mieluiten lähellä 0,0 mg/l)

TÄHELEPANU! Ärge kasutage pumpa basseini kasutamise ajal.

Ujumisbasseini kasutamishooajal tuleb filtreerimisüsteemi kasutada iga päev vähemalt sellise aja vältel, mis tagaks vee mahu täieliku uuendamise.

Korjaus

Tarkasta allas vuotojen varalta venttiileistä tai saumoista. Tarkasta maakangas näkyvän veden menetyksen varalta. Älä lisää kemikaaleja, ennen kuin tämä on tehty.

HUOMAA: Mikäli vuotoja on, paikkaa altaasi käyttämällä mukana toimitettua vedessä käytettävää korjauspaikkaa. Katso usein kysytyjä kysymyksiä saadaksesi lisätietoja.

Purkaminen

- Avaa tyhjennysventtiiliin korkki vastapäivään ja poista.
- Kytke liitin letkuun ja laita letkun pää alueelle, jonne aiot tyhjentää altaan. (Tarkasta paikalliset määräykset tyhjennystä koskevien sääntöjen varalta).
- Kruvige voolikuadapteri juhröngas päripäeva äravooluklapile. Äravooluklapp avaneb ja vesi hakkab automaatselt välja voolama.
- TÄHELEPANU!** Veevoolu saab juhröngaga juhtida.
- Tühjendamise lõppedes keerake juhröngas klapi sulgemiseks lahti.
- Ühendage voolik lahti.
- Keerake kork tagasi äravooluklapile.
- Kuivatage basseini õhu käes.
- TÄHELEPANU!** Ärge jätke tühjendatud basseini õue.

Varastointi ja talvikuntoon laittaminen

- Poista kaikki lisävarusteet ja varaosat altaasta. Varasto ne puhtaana ja kuivana.
- Kun allas on täysin kuiva, ripottele talkkijauhetta estääksesi allasta liimautumasta yhteen. Taita allas varovaisesti. Jos allas ei ole täysin kuiva, hometta voi muodostua. Se vaurioittaa allasmuovia.
- Varastoi allasmuovi ja lisävarusteet kuivassa paikassa kohtuullisessa lämpötilassa 5 °C / 41°F – 38 °C / 100 °F.
- Sateisella säällä allas ja lisävarikkeet on varastoitava yllä annettujen ohjeiden mukaisesti.
- Altaan virheellinen tyhjennys voi aiheuttaa vakavia henkilövahinkoja ja/tai omaisuusvahinkoja.
- Suosittelemme vahvasti altaan purkamista käyttösesonin ulkopuolella (talvikuukausiksi). Säilytä kuivassa paikassa poissa lasten ulottuvilta.

Rajoitettu BESTWAY® valmistajan takuu

Ostamasi tuotteen mukana tulee rajoitettu takuu. Bestway® antaa tuotteille laatu- ja vaihtotakuun. Takaamme, että tuotteessa ei ole valmistusvirheitä.

Seuraava säännös on voimassa vain Euroopan unionin jäsenvaltioissa. Tämä BESTWAYN rajoitettu takuu ei vaikuta direktiivin 1999/44/EY säännöksiin.

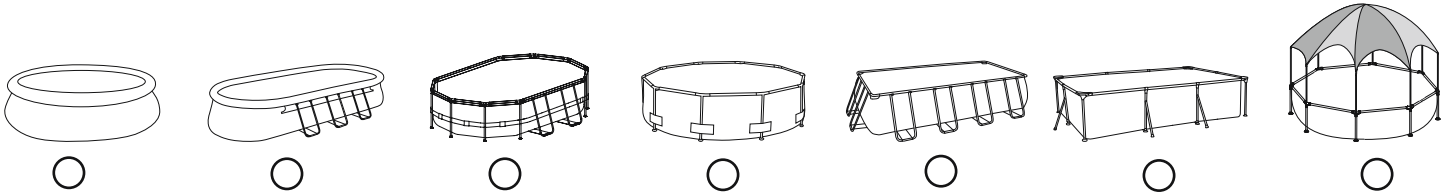
Tee takuuvaade täyttämällä tämä lomake ja toimittamalla ostokuitin kopio paikalliseen Bestwayn asiakaspalveluun. Ennen kuin vaade voidaan hyväksyä, Bestwayn asiakaspalvelu saattaa pyytää sinua lähettämään osan viallisesta osasta asiakaspalveluun (esim. sinua voidaan pyytää leikkaamaan valmistusnumero / poistoventtiili). Ota yhteyttä Bestwayn paikalliseen asiakaspalveluun ennen asiakirjojen lähettämistä. Saat tarkat ohjeet, mitä tarvitaan vaateesi tekemiseksi.

Bestway® ei ole vastuussa taloudellisesta menetyksestä, joka johtuu vesi- tai kemikaalikuistannuksista. Bestway® ei korvaa tuotteita, joiden katsotaan vahingoittuneen laiminlyönnin seurauksena tai joita on käytetty käyttöoppaan ohjeiden vastaisesti.

Bestwayn takuu kattaa valmistajan virheet, jotka on havaittu tuotetta purettaessa tai käytettäessä, käyttöoppaan käyttörajoituksia, varoituksia ja ohjeita noudattaen. Tämä takuu kattaa vain tuotteet joita ei ole muokattu ulkopuolisten toimesta. Tuote pitää varastoida ja sitä pitää käsitellä teknisten suositusten mukaisesti.

Rajoitettu takuu on voimassa yllä esitetyn ajan. Takuu aika alkaa alkuperäisen kuitin/ostolaskun sisältämästä myyntipäivästä.

Valitse altaasi tyyppi:



Ostopäivä: _____ Asiakaskoodin numero: _____

VASTAANOTTAJA: Bestway® Service Department Päivämäärä: _____

FAKSI/SPOSTI/PUH: Katso oman maasi tiedot takakannesta tai sivustoltamme löytyvien tietojen mukaisesti: www.bestwaycorp.com

Anna täydelliset osoitetietosi. **Huomaa:** Epätäydelliset osoitetiedot viivästyttävät lähetyksiä.

Bestway varaa oikeuden veloittaa toimittamattomien pakettien uudelleentoimituksesta, josvika on vastaanottajan.

VAADITUT TIEDOT - KIRJOITA TOIMITUSOSOITE

Nimi: _____ Osoite: _____

Postinumero: _____ Jälleenmyyjä: _____

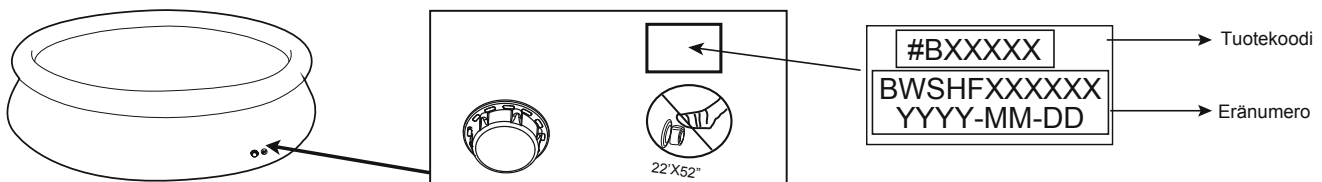
Maa: _____ Kunta: _____

Matkapuhelin: _____ Puhelin: _____

Faksi: _____ S-POSTI: _____

Kirjoita eränumero ja tuotekoodi, jotka sijaitsevat lähellä tyhjennysventtiiliä

Eränumero: _____ Tuotekoodi: _____



Ongelman kuvaus

Esine on repeytynyt / Vuotaa Virheellinen hitsaus Viallinen ylärengas Viallinen tyhjennysventtiili

Muu, mikä Puuttuva osa (Ilmoita puuttuvan osan koodi. Tämä löytyy käyttöoppaasta.)

TÄRKEÄÄ: VAIN VAURIOITUNUT OSA KORVATAAN, EI KOKO TUOTETTA.

Bestway varaa oikeuden pyytää valokuvatodisteita viallisista osista tai pyytää tuotteen lähettämistä lisätestejä varten.

Voidaksemme auttaa sinua parhaalla mahdollisella tavalla edellytämme, että täytät kaikki tiedot.

INTERNET-SIVUSTOSTA LÖYTYY USEIN KYSYTTYJÄ KYSYMYKSIÄ JA NIIDEN VASTUKSIA,

VIDEOITA JA TIETOJA VARAOSISTA: www.bestwaycorp.com

VIDEOITA ON MYÖS NÄHTÄVISSÄ BESTWAY-KANAVALLAMME YOUTUBESSA: <http://youtube.com/user/BestwayService>.

Bestway®

POWER STEEL™ RECHTHOEKIGE ZWEMBADEN GEBRUIKERSHANDLEIDING



Bezoek het Bestway YouTube-kanaal

WAARSCHUWING

Lees, begrijp en volg zorgvuldig alle informatie in deze gebruikershandleiding vooraleer het zwembad te installeren en te gebruiken. Deze waarschuwingen, instructies en veiligheidsrichtlijnen gaan over sommige courante risico's van waterrecreatie, maar ze omvatten niet alle risico's en gevaaren in alle gevallen. Wees altijd voorzichtig en gebruik gezond verstand en beoordelingsvermogen wanneer u van wateractiviteiten geniet. Bewaar deze informatie voor toekomstig gebruik.

Veiligheid van niet-zwemmer

- Continu, actief en waakzaam toezicht van zwakke zwemmers en niet-zwemmers door een competente volwassene is altijd vereist (denk eraan dat kinderen onder de vijf jaar oud het hoogste risico op verdrinking lopen).
- Duid een competente volwassene aan om toezicht te houden op het zwembad telkens wanneer het gebruikt wordt.
- Zwakke zwemmers of niet-zwemmers zouden persoonlijke beschermingsuitrusting moeten dragen wanneer ze het zwembad gebruiken.
- Wanneer het zwembad niet in gebruik is of er geen toezicht is, verwijder alle speelgoed uit het zwembad en zijn omgeving om te vermijden kinderen aan te trekken naar het zwembad.

Veiligheidsmiddelen

- Ten einde verdrinking van kinderen te vermijden, is het aanbevolen om de toegang tot het zwembad te beveiligen met een beschermingselement. Ten einde te voorkomen dat kinderen van de invoer- en afvoerkleppen klimmen, is het aanbevolen een barrière te installeren (en alle deuren en vensters waar van toepassing te beveiligen) om onbevoegde toegang tot het zwembad te voorkomen.
- Barrières, zwembadafdekkingen, zwembadalarmen of gelijkaardige veiligheidsmiddelen zijn nuttige hulpmiddelen, maar het zijn geen vervangingen voor een continu en competent toezicht door volwassenen.

Veiligheidsapparatuur

- Het is aanbevolen om reddingsapparatuur (bijv. een ring-boei) nabij het zwembad te hebben.
- Houd ook een werkende telefoon en een lijst met noodnummers nabij het zwembad.

Veilig gebruik van het zwembad

- Moedig alle gebruikers vooral kinderen aan om te leren zwemmen
- Leer om te reanimeren (cardiopulmonaire reanimatie - CPR) en vernieuw deze kennis regelmatig. Dit kan een levensreddend verschil uitmaken in een noodgeval.
- Onderricht alle zwembadgebruikers, inbegrepen kinderen, wat te doen in een noodgeval
- Duik nooit in ondiep water. Dit kan leiden tot ernstige verwondingen of tot de dood.
- Gebruik het zwembad niet wanneer u alcohol of medicatie gebruikt die uw vermogen om het zwembad veilig te gebruiken, zou kunnen aantasten.
- Wanneer zwembadafdekkingen gebruikt worden, verwijder deze volledig uit het wateroppervlak voor u in het zwembad gaat.
- Bescherm de zwembadgebruikers tegen met water verband houdende ziekten door het zwembadwater behandeld te houden en goede hygiëne in acht te nemen. Raadpleeg de richtlijnen voor waterbehandeling in de gebruikershandleiding.
- Bewaar chemicaliën (bijv. voor waterbehandeling of reinigings- en ontsmettingsproducten) buiten het bereik van kinderen.
- Gebruik de aanduidingsborden zoals hieronder aangegeven. Er moeten aanduidingsborden staan in een prominente positie binnen de 2m van het zwembad.



- Houd de kinderen onder toezicht in de wateromgeving. Niet duiken.
- Er moeten verwijderbare ladders staan op een horizontaal oppervlak.
- Ongeacht de gebruikte materialen voor de zwembadconstructie, moeten de toegankelijke oppervlakken regelmatig gecontroleerd worden om verwondingen te vermijden.
- Controleer regelmatig bouten en schroeven, verwijder splinters of andere scherpe randen om verwondingen te vermijden.
- **AANDACHT:** Laat het leeggelopen zwembad niet buiten staan. Het lege zwembad kan vervormd en/of verplaatst worden omwille van de wind.
- Als u een filterpomp hebt, raadpleeg de handleiding van de pomp voor instructies.
- **WAARSCHUWING!** De pomp kan niet worden gebruikt wanneer er zich mensen in het zwembad bevinden!
- Als u een ladder hebt, raadpleeg de handleiding van de ladder voor instructies.
- **WAARSCHUWING!** Het gebruik van een zwembadkit impliceert het naleven van de veiligheidsinstructies beschreven in de gebruiks- en onderhoudshandleiding. Ten einde verdrinking of andere ernstige verwondingen te vermijden, moet u bijzondere aandacht verlenen aan de mogelijkheid van een onverwachte toegang tot het zwembad door kinderen jonger dan 5 jaar door de toegang ertoe te beveiligen en de kinderen tijdens het zwemmen voortdurend onder toezicht te houden van volwassenen.

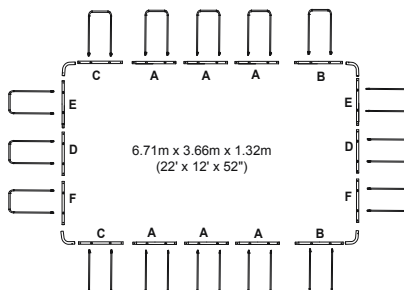
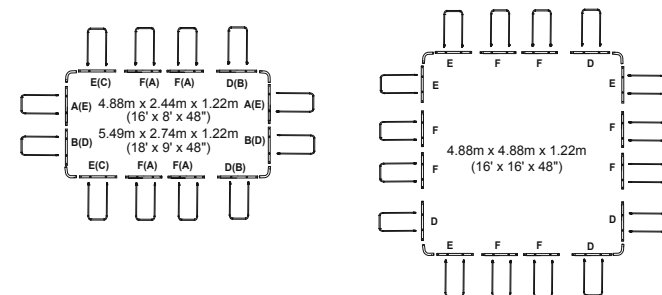
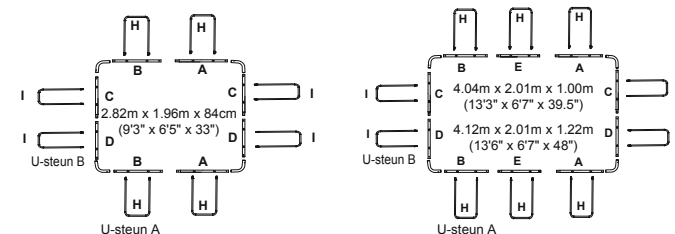
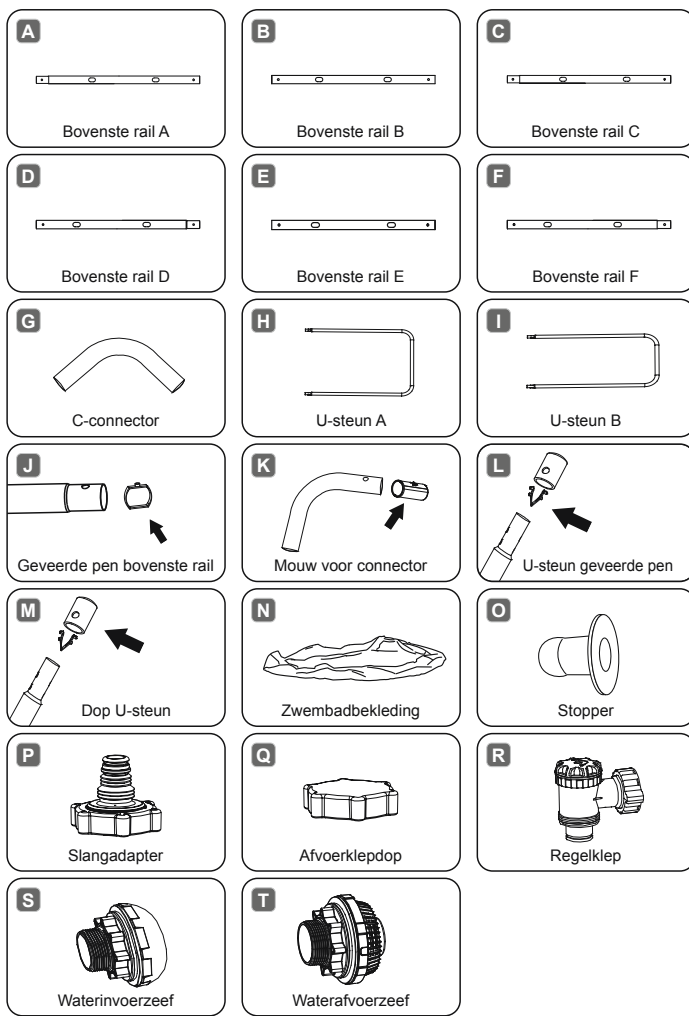
Zorgvuldig lezen en bewaren voor toekomstige referentie

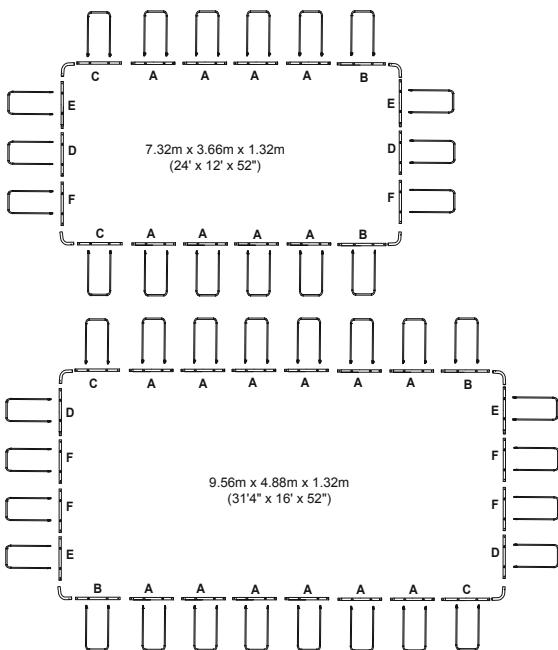
De installatie vergt meestal ongeveer 20-30 minuten met 2-3 mensen exclusief grondwerken en vullen.

Zie hieronder voor de beschrijving van de onderdelen.

Onderdelenlijst:

OPMERKING: Sommige delen werden al op het zwembad geïnstalleerd.





OPMERKING: Tekening enkel voor illustratiedoeleinden. Mogelijk geen weerspiegeling van het werkelijke product. Niet op schaal.

LEES ZORGVULDIG EN BEWAAR VOOR LATERE RAADPLEGINGEN.

KIES DE CORRECTE LOCATIE

OPMERKING: Het zwembad moet op een volledig vlak en effen oppervlak opgesteld worden. Stel het zwembad niet op als de ondergrond heft of oneffen is.

Correcte omstandigheid om het zwembad op te zetten:

- De geselecteerde locatie moet in staat zijn tot het uniform ondersteunen van het gewicht gedurende de hele tijd dat het zwembad geïnstalleerd is. Bovendien moet de locatie plat zijn en vrij van voorwerpen en rommel, zoals bijvoorbeeld steentjes en takjes.
- Wij adviseren het zwembad te plaatsen op een afstand van voorwerpen die kinderen kunnen gebruiken om in het zwembad te klimmen.

OPMERKING: Plaats het zwembad bij een goed afwateringssysteem, zodat het water kan overlopen of het zwembad geleegd kan worden.

Incorrecte omstandigheden om het zwembad op te zetten:

- Op een oneffen ondergrond kan het zwembad omslaan, met persoonlijk letsel en/of schade aan eigendommen tot gevolg. Bovendien vervalt hierdoor de garantie en serviceaanvragen.
- Zand mag niet gebruikt worden om een ondergrond te creëren; indien nodig moet de grond moet worden uitgegraven.
- Directly under overhead power lines or trees. Zorg ervoor dat de locatie geen ondergrondse pijpleidingen, bedradingen of welk soort kabels dan ook bevat.
- Zet het zwembad niet op op opritten, bootdekken, platforms, of op grind of asfalt. De gekozen locatie moet stevig genoeg zijn om de druk van het water aan te kunnen; modder, zand, zachte of losse aarde of teer zijn niet geschikt.
- Gras of andere vegetatie onder het zwembad gaat dood en kan stank veroorzaken en slijm ontwikkelen. Daarom adviseren wij al het gras te verwijderen van de gekozen zwembadlocatie.
- Vermijd gebieden die vatbaar zijn voor agressieve planten- of onkruidsoorten die uit de grond zouden kunnen komen.

OPMERKING: Controleer bij uw plaatselijke gemeente of er regelgevingen zijn voor schuttingen/afscheidings/ belichting en veiligheidsvoorschriften en zorg ervoor dat u met geen enkele van deze regelgevingen in overtreding bent.

OPMERKING: Als u een filterpomp heeft, zie dan de handleiding van de pomp voor instructies.

OPMERKING: De ladder moet overeenkomen met de afmeting van het zwembad en mag alleen gebruikt worden om in en uit het zwembad te gaan. Het is verboden om de nuttige belasting van de trap te overschrijden. Controleer regelmatig of de trap goed is gemonteerd.

Installatie

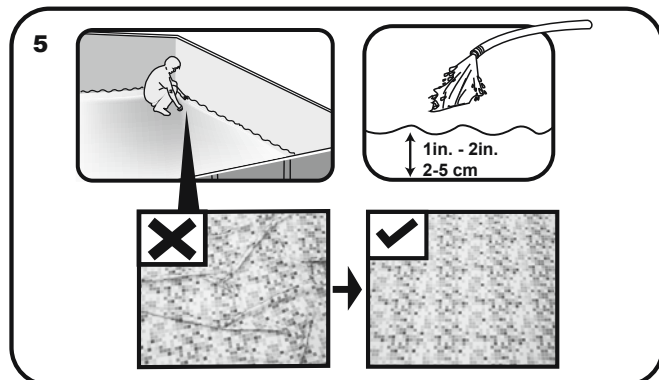
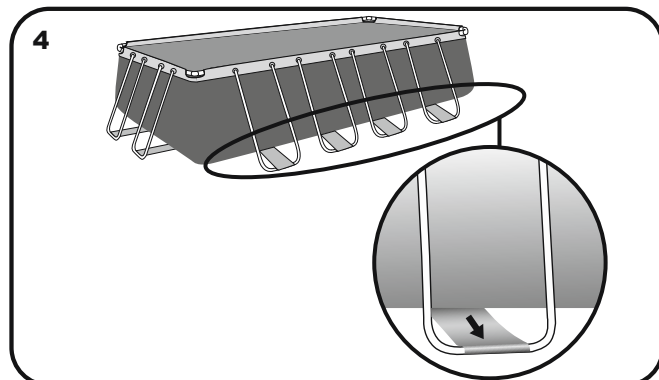
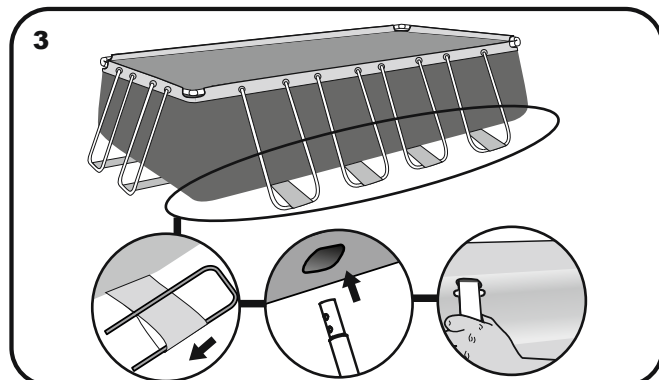
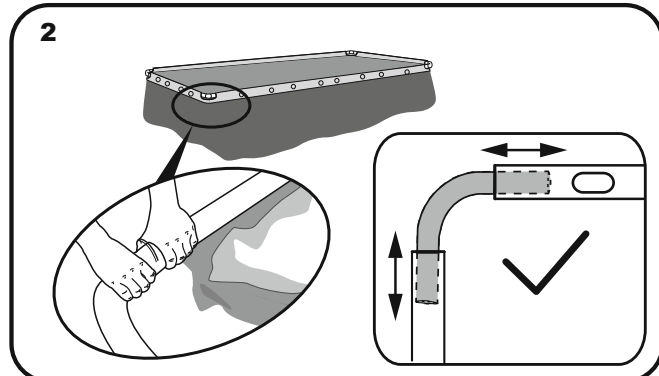
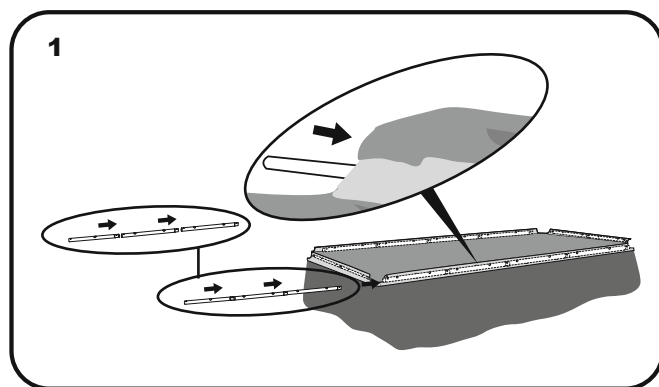
Het rechthoekige frame van het zwembad kan zonder gereedschap worden gemonteerd.

Bestway Inflatables kan niet aansprakelijk gesteld worden voor schade aan het zwembad die toe te schrijven is aan een verkeerde hantering of het niet naleven van deze aanwijzingen.

1. Leg alle onderdelen neer en controleer of u de correcte hoeveelheden heeft, zoals opgesomd in de onderdelenlijst. Als u een onderdeel mist, monteer het zwembad dan niet, maar neem contact op met de klantenservice van Bestway.
2. Als het zwembad geleverd werd met een bodemzeil, spreid dit dan zorgvuldig open op de gewenste plaats. Zorg ervoor dat het zwembad zich in de buurt van een stopcontact van 220-240volt AC bevindt, voorzien van een beveiliging tegen restspanning.
3. Plaats het zwembad nabij een adequaat afvoersysteem om overstromend water te kunnen afvoeren en zorg ervoor dat invoer A en afvoer B van het zwembad correct gepositioneerd zijn zodat uw filterpomp aangesloten kan worden op een stroombron.

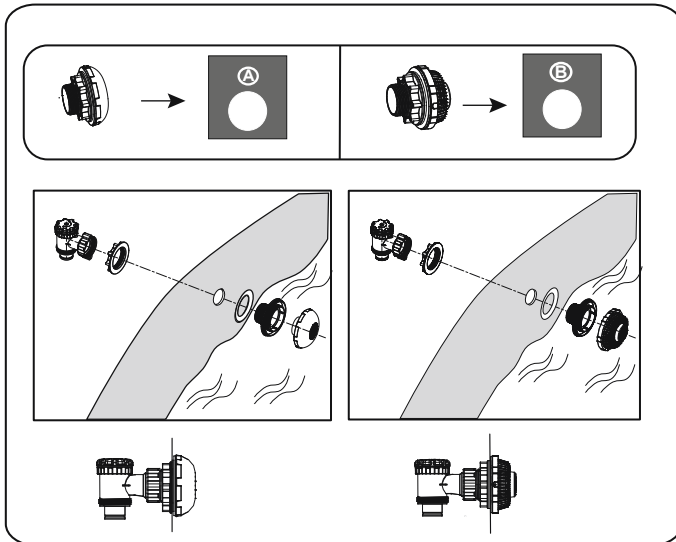
OPMERKING: Gebruik geen verlengsnoeren om uw pomp op de stroom aan te sluiten.

AANDACHT: Trek het zwembad niet over de grond, dit kan het zwembad beschadigen.

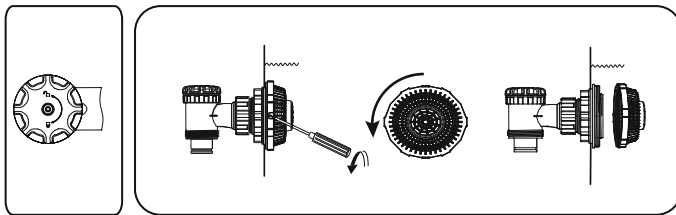


Montage van aansluitingsklep

Voor zwembaden met aansluitingsklep.



OPMERKING: Als u de andere zwembadreinigingskits wilt aansluiten op het zwembad via de aansluitingsklep, gebruik dan een kruiskopschroevendraaier om het vuilscherm te demonteren van de connector.

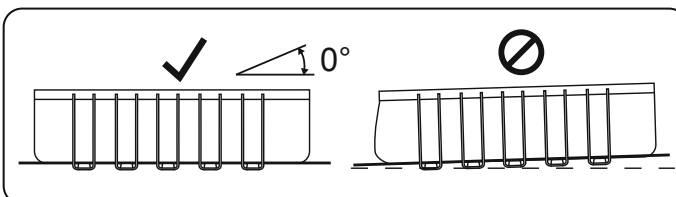
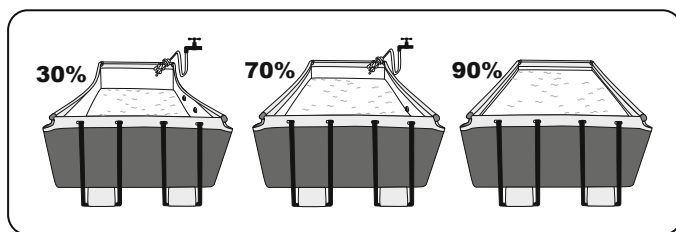


Het Zwembad Vullen Met Water

OPGELET: Laat het zwembad niet zonder toezicht wanneer het gevuld wordt met water.

1. Vul het zwembad tot 90% van de inhoud. Vul NIET TE VEEL omdat het zwembad hierdoor in elkaar kan zakken. Bij hevige regenval kan het nodig zijn om wat water af te voeren, om het correct niveau te herstellen.
2. Wanneer het zwembad gevuld is, controleer of het water niet hoger staat aan een zijde van het zwembad.
BELANGRIJK: Is het zwembad niet genivelleerd is, wordt het water afgevoerd en de ondergrond uitgegraven. Probeer het zwembad nooit te verplaatsen wanneer er water in zit, om persoonlijke letsels of schade aan het zwembad te vermijden.
WAARSCHUWING: Uw zwembad kan heel wat druk bevatten. Indien uw zwembad een bobbel of een ongelijke zijde heeft, dan is het zwembad niet waterpas, ade zijdes kunnen barsten en het water kan plotseling afgevoerd worden waardoor ernstig persoonlijk letsel en/of schade aan eigendommen kan ontstaan.
3. Controleer de aanwezigheid van lekken ter hoogte van de kleppen en naden. Controleer of het grondzeil geen water verliest. Voeg geen chemische producten toe zolang deze controle niet verricht werd.

OPMERKING: In het geval van een lek, repareer uw zwembad met behulp van de bijgeleverde klevende reparatiepatch voor onderwater. Raadpleeg de FAQ's voor meer informatie.



ZWEMBADONDERHOUD

WAARSCHUWING: Als u zich niet houdt aan de onderhoudsrichtlijnen hierin, kan uw gezondheid risico's lopen, vooral deze van kinderen. De behandeling van zwembadwater is essentieel voor de veiligheid van de gebruikers. Het niet correct gebruik van chemicaliën kan schade aan eigendommen en persoonlijke verwondingen veroorzaken.

OPMERKING: De pomp wordt gebruikt om het water te circuleren en om de kleine deeltjes te filteren. U moet ook chemicaliën toevoegen om uw water proper en hygiënisch te houden.

1. Het is aanbevolen om het zwembad niet te vullen met draineerwater, boorwater, of draineerwater van een waterput. Deze waters bevatten in het algemeen vervuilde organische stoffen inbegrepen nitraten en fosfaten. Het is aan te raden zwembaden te vullen met water van het openbaar net.
2. Houd uw zwembad proper en gebruik de juiste chemicaliën voor zwembaden. Niet hygiënisch water is een ernstig gezondheidsgevaar. Het is aanbevolen om ontsmettings-, flocculatie, zure of alkali chemicaliën te gebruiken voor het behandelen van uw zwembad.
3. Reinig regelmatig de PVC bekleding met niet-schurende borstels of met een zwembadstofzuiger.
4. Het waterfiltratiesysteem moet heel het seizoen elke dag voldoende lang werken om het volledige watervolume van het zwembad te reinigen.
5. Controleer de filtercassette (of zand in een zandfilter) regelmatig en vervang vuile cassettes (of zand).
6. Controleer regelmatig de schroeven, bouten en alle metalen onderdelen op roest. Vervang indien nodig.
7. Als het regent, controleer dat het waterniveau niet hoger is dan het opgegeven niveau. Als het waterniveau het opgegeven niveau overschrijdt, voer dan water af tot het opgegeven niveau bereikt is.
8. Gebruik de pomp niet wanneer het zwembad in gebruik is.
9. Dek het zwembad af wanneer het niet in gebruik is.
10. Voor de behandeling van zwembadwater is de pH-waarde zeer belangrijk.

AANDACHT: Laat het leeggelopen zwembad niet buiten staan.

De volgende parameters verzekeren een goede waterkwaliteit

Parameters	Waarden
Waterhelderheid	duidelijk zicht van de bodem van het zwembad
Kleur van het water	er mag geen kleur worden geobserveerd
Turbiditeit in FNU/NTU	max. 1,5 (bij voorkeur minder dan 0,5)
Nitratconcentratie boven die van vulwater in mg/l	max. 20
Totaal organische koolstof (TOC) in mg/l	max. 4,0
Redoxpotentiaal tegen Ag/AgCl 3,5 m KCl in mV	min. 650
pH-waarde	6,8 tot 7,6
Vrij werkzaam chloor (zonder cyanuurzuur) in mg/l	0,3 tot 1,5
Vrij werkzaam chloor in combinatie met cyanuurzuur in mg/l	1,0 tot 3,0
Cyanuurzuur in mg/l	max. 100
Gecombineerd chloor in mg/l	max. 0,5 (bij voorkeur dicht bij 0,0 mg/l)

AANDACHT: Gebruik de pomp niet wanneer het zwembad in gebruik is.

Tijdens het seizoen van gebruik van het zwembad moet het filtersysteem verplicht elke dag in werking worden gesteld, lang genoeg om zeker te zijn van minimaal een complete verversing van het watervolume.

Reparatie

Controleer het zwembad op lekken van kleppen of naden, controleer het grondzeil op duidelijke waterlekken. Voeg geen chemicaliën toe tot dit gecontroleerd werd.

OPMERKING: In het geval van een lek, repareer uw zwembad met behulp van de bijgeleverde klevende reparatiepatch voor onderwater. Raadpleeg de FAQ's voor meer informatie.

Demontage

1. Schroef de afvoerlepdop tegen de klok in los en verwijder.
2. Sluit de adapter aan op de slang. Plaats het andere uiteinde van de slang in een gebied waar het water afgevoerd zal worden. (Controleer de plaatselijke regelgeving voor afvoorschriften).
3. Schroef de bedieningsring van de slangadapter met de klok mee op de afvoerlepdop. De afvoerlepdop zal open gaan en water zal automatisch afgevoerd worden.
AANDACHT: De waterstroom kan geregeld worden met de bedieningsring.
4. Wanneer de afvoer voltooid is, schroef de bedieningsring los om de klep te sluiten.
5. Koppel de slang los.
6. Schroef de dop terug op de afvoerlepdop.
7. Laat het zwembad aan de lucht drogen.
AANDACHT: Laat het leeggelopen zwembad niet buiten staan.

Opbergen en klaarmaken voor de winter

1. Verwijder alle accessoires en reserveonderdelen van het zwembad en berg ze proper en droog op.
2. Wanneer het zwembad volledig droog is, besprenkel met talkpoeder om te vermijden dat het zwembad samenkleeft en vouw het zwembad dan zorgvuldig op. Als het zwembad niet volledig droog is, kan er schimmel ontstaan die de zwembadbekleding kan beschadigen.
3. Berg de bekleding en accessoires in een droge plaats op met een matige temperatuur tussen 5°C / 41°F en 38°C / 100°F.
4. Tijdens het regenseizoen moeten het zwembad en de accessoires ook volgens bovenstaand de instructies worden opgeborgen.
5. Het zwembad op incorrecte wijze laten leeggelopen kan ernstig persoonlijk letsel en/of schade aan persoonlijke eigendom veroorzaken.
6. We bevelen ten zeerste aan het zwembad te demonteren buiten het seizoen (tijdens de wintermaanden). Berg op in een droge plaats en buiten het bereik van kinderen.

Beperkte BESTWAY® Fabrieksgarantie

Het product dat u hebt aangekocht heeft een beperkte garantie. Bestway® steunt onze kwaliteitsgarantie en verzekert, via een vervangingsgarantie, dat uw product vrij zal zijn van fabricagefouten.

Het volgende voorschrift is enkel geldig binnen de Europese lidstaten. De wettelijke regelgeving van Richtlijn 1999/44/EC zal niet beïnvloed worden door de beperkte garantie van Bestway.

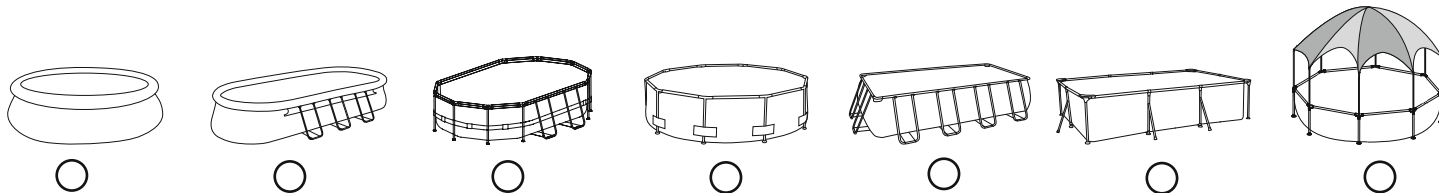
Om een garantiereclame in te dienen, moet dit formulier ingevuld worden en samen met een kopie van uw ontvangstbewijs/aankoopbewijs bezorgd worden aan uw lokale Bestway Dienst Naverkoop. Vooraleer enige claims geaccepteerd kunnen worden, zal uw Bestway Dienst Naverkoop u mogelijk vragen een stuk van het defecte onderdeel naar het centrum te zenden (bijv. een uitgesneden stuk van het productiebatchnummer / afvoerlepel). Neem contact op met uw lokale Bestway Dienst Naverkoop vooraleer enige documenten te zenden. Zij zullen volledige instructies geven betreffende wat nodig is voor uw claim.

Bestway® is niet verantwoordelijk voor economische verliezen omwille van water- of chemische kosten. Bestway® zal geen producten vervangen die geacht worden beschadigd te zijn omwille van nalatigheid of die gebruikt werden buiten de richtlijnen in de gebruikershandleiding.

De garantie van Bestway dekt fabricagefouten ontdekt bij het uitpakken van het product of tijdens het gebruik binnen de limieten van een gebruik en met respect voor waarschuwingen en instructies vermeld in de gebruikershandleiding. Deze garantie is enkel van toepassing op producten die niet gewijzigd mogen zijn door enige derde. Het product moet opgeborgen en gehanteerd worden overeenkomstig de technische aanbevelingen.

De beperkte garantie is geldig voor de periode hierboven aangegeven. De startdatum van de garantie is de datum van de verkoop weergegeven op het originele ontvangstbewijs/aankoopfactuur.

Kies het type van uw zwembad:



Datum van aankoop: _____ Klantencodenummer: _____

AAN: Bestway® Service Department Datum: _____

FAX/E-MAIL/TEL: Raadpleeg uw land volgens de informatie op de achteromslag of op onze website: www.bestwaycorp.com

Geef uw volledig adres op. **Opmerking:** Onvolledige adressen resulteren in vertraagde verzendingen

Bestway behoudt zich het recht voor om onafgeleverde pakketten terug te leveren wanneer de ontvanger in fout is.

VEREISTE INFORMATIE - NOTEER HET VERZENDADRES

Name: _____ Adres: _____

Postcode: _____ Detailhandelaar: _____

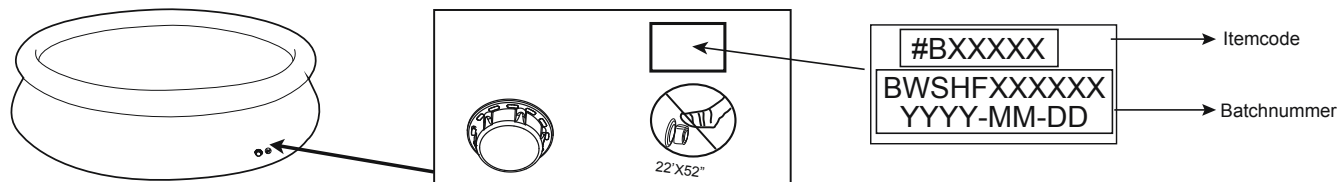
Land: _____ Stad: _____

Mobiel: _____ Telefoon: _____

Fax: _____ E-mail: _____

Noteer het batchnummer en de itemcode die zich bevinden nabij de afvoerlepel

Batchnummer: _____ Itemcode: _____



Probleemomschrijving

- Item is gescheurd / Lekt Fout gelast Kapotte bovenste ring Geïntegreerde afvoerlepel
- Andere (omschrijven aub) Ontbrekend onderdeel (Gebruik de code voor het ontbrekend onderdeel. Deze staat in de gebruikershandleiding)

BELANGRIJK: ALLEEN HET BESCHADIGDE ONDERDEEL ZAL VERVANGEN WORDEN, NIET DE VOLLEDIGE SET.

Bestway behoudt zich het recht voor om fotografische bewijzen van defecte onderdelen te vragen of om het item te verzenden voor extra testen. Om u het beste te kunnen helpen vragen we u om complete informatie te bezorgen.

VOOR FAQ, HANDLEIDINGEN, VIDEO'S OF RESERVEONDERDELEN, GA NAAR ONZE WEBSITE: www.bestwaycorp.com
VIDEO'S ZIJN OOK BESCHIKBAAR OP ONS BESTWAY CHANNEL OP YOUTUBE: <http://youtube.com/user/BestwayService>.

Bestway®

PISCINE RETTANGOLARI POWER STEEL™ MANUALE D'USO

Visita il canale Bestway su YouTube



AVVERTENZA

Leggere attentamente, comprendere e seguire tutte le informazioni in questo manuale prima di installare ed utilizzare la piscina. Queste avvertenze, istruzioni e linee guida di sicurezza trattano alcuni rischi comuni dello svago in acqua, ma non possono coprire tutti i rischi e pericoli in tutti i casi. Fare sempre attenzione e usare buon senso e giudizio durante i giochi in piscina. Conservare questo opuscolo per futuri riferimenti.

Sicurezza dei non nuotatori

- È necessaria la sorveglianza continua, attiva e vigile dei nuotatori poco esperti e non nuotatori da parte di un adulto competente (ricordando che i bambini sotto i cinque anni sono a più alto rischio di annegamento).
- Designare un adulto competente che sorvegli la piscina ad ogni utilizzo.
- I nuotatori poco esperti e i non nuotatori devono indossare dispositivi di protezione individuale durante l'uso della piscina.
- Quando la piscina è inutilizzata o non sorvegliata, rimuovere tutti i giocattoli dalla piscina e dai suoi dintorni per evitare di attirare i bambini verso la piscina.

Dispositivi di sicurezza

- Per evitare il rischio di annegamento dei bambini, si raccomanda di proteggere l'accesso alla piscina con un dispositivo di sicurezza. Al fine di evitare che i bambini si arrampichino dalla valvola di ingresso e di uscita, si raccomanda di installare una barriera (e proteggere tutte le porte e le finestre, se possibile) per impedire l'accesso non autorizzato alla piscina.
- Barriere, coperture e allarmi per piscine, o simili dispositivi di sicurezza sono utili, ma non possono sostituire la sorveglianza continua e competente di un adulto.

Attrezzatura di sicurezza

- Si raccomanda di tenere le attrezzature di sicurezza (ad es. galleggianti) in prossimità della piscina.
- Tenere un telefono funzionante e un elenco di numeri di emergenza vicino alla piscina.

Uso sicuro della piscina

- Incoraggiare tutti gli utenti e in particolare i bambini ad imparare a nuotare
- Imparare le tecniche di primo soccorso (rianimazione cardiopolmonare - RCP) e aggiornare regolarmente le proprie conoscenze. Ciò può fare la differenza e salvare vite umane in caso di emergenza.
- Informare tutti gli utenti della piscina, compresi i bambini, delle procedure da adottare in caso di emergenza.
- Non tuffarsi in bacini d'acqua poco profondi. Ciò potrebbe causare lesioni gravi, anche fatali.
- Non usare la piscina se sono stati assunti alcol o farmaci che potrebbero compromettere la capacità di utilizzare in modo sicuro la piscina.
- Quando si utilizzano le coperture per piscina, rimuoverle completamente dalla superficie dell'acqua prima di entrare in piscina.
- Proteggere gli occupanti della piscina da malattie legate all'acqua, mantenendo l'acqua della piscina trattata e in buone condizioni igieniche. Consultare le linee guida per il trattamento dell'acqua contenute nel manuale utente.
- Conservare i prodotti chimici (es. trattamento dell'acqua, prodotti per la pulizia e la disinfezione) fuori dalla portata dei bambini.
- Utilizzare la segnaletica come indicato di seguito. La segnaletica deve essere esposta in modo visibile entro il raggio di 2 m dalla piscina.



- Quando i bambini sono in acqua, sorvegliarli continuamente. Non tuffarsi.
- Le scalette rimovibili devono essere collocate su una superficie orizzontale.
- Indipendentemente dai materiali utilizzati per la costruzione della piscina, le superfici accessibili devono essere controllate regolarmente per evitare infortuni.
- Controllare regolarmente i bulloni e le viti; rimuovere schegge o bordi appuntiti per evitare lesioni.

ATTENZIONE: non lasciare la piscina svuotata all'aperto. La piscina vuota rischia di deformarsi e/o di spostarsi a causa del vento.

- Se è presente una pompa filtrante, fare riferimento al relativo manuale di istruzioni.

AVVERTENZA! Non adoperare la pompa quando le persone si trovano nella piscina!

- Se è presente una scaletta, fare riferimento al relativo manuale di istruzioni.

AVVERTENZA! Per utilizzare la piscina è obbligatorio attenersi alle istruzioni relative alla sicurezza riportate nella guida per l'uso e la manutenzione. Al fine di prevenire l'annegamento o altre gravi lesioni, prestare particolare attenzione alla possibilità di accesso inatteso alla piscina da parte di bambini sotto i 5 anni rendendo sicuro l'accesso alla stessa e, durante il bagno, tenerli sotto la costante sorveglianza di un adulto.

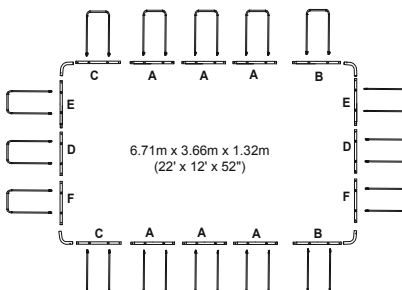
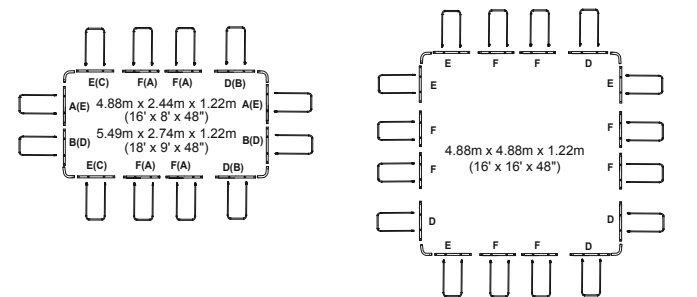
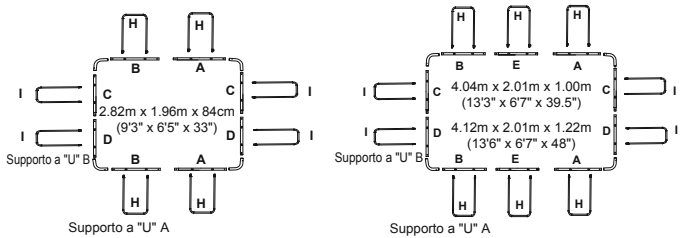
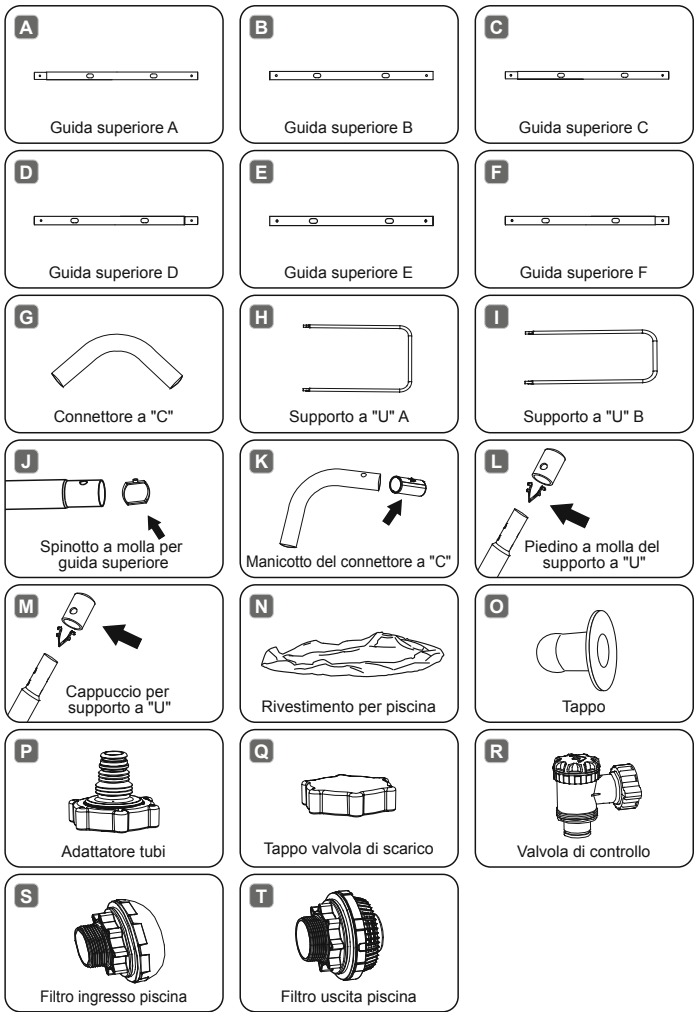
Leggere attentamente e conservare per futuri riferimenti

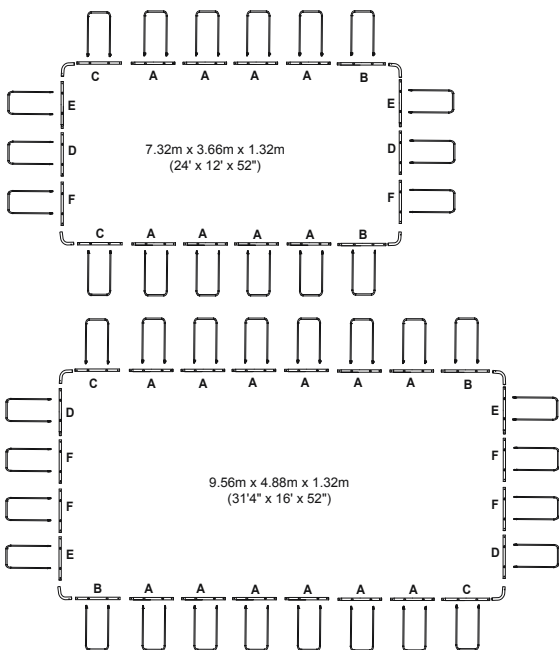
Se eseguito da 2-3 persone, il montaggio delle piscine da richiede circa 20-30 minuti.

Per la descrizione dei componenti, vedere sotto.

Elenco componenti:

NOTA: Alcune parti sono già state installate sulla piscina.





NOTA: I disegni sono riportati solo a scopo illustrativo e potrebbero essere diversi dal prodotto. I disegni non sono in scala.

LEGGERE ATTENTAMENTE QUESTE ISTRUZIONI E CONSERVARLE PER RIFERIMENTO FUTURO.

SCEGLIERE LA CORRETTA UBICAZIONE

NOTA: Montare la piscina su una superficie piana e uniforme. Non installare la piscina su superfici in pendenza.

Condizioni corrette di installazione della piscina:

- L'ubicazione scelta deve essere in grado di supportare uniformemente il peso della piscina per tutto il tempo in cui essa è installata; inoltre l'installazione deve avvenire su una superficie piana e ripulita da tutti gli oggetti e i detriti presenti, tra cui sassi e rametti.
- Si raccomanda di posizionare la piscina lontano da qualsiasi oggetto che i bambini potrebbero usare per arrampicarsi sulla piscina.

NOTA: Posizionare la piscina vicino ad un sistema di drenaggio adeguato per gestire casi di straripamento o per svuotare la piscina.

Condizioni scorrette di installazione della piscina:

- Su terreni irregolari la piscina potrebbe crollare causando gravi lesioni personali e/o danni alla proprietà. Ciò invaliderà la garanzia e impedirà qualsiasi richiesta di assistenza.
 - La sabbia non deve essere usata per creare il livello di base; il terreno deve essere scavato se necessario.
 - Direttamente sotto linee aeree di alta tensione o alberi. Assicurarsi che nel terreno sottostante non siano interrate condutture, tubi o cavi di alcun genere.
 - Non posizionare la piscina su vialetti di accesso, ponti, piattaforme, superfici in ghiaia o asfalto. La posizione scelta deve essere sufficientemente stabile da resistere alla pressione dell'acqua; non sono adatti terreni fangosi, sabbiosi, morbidi / cedevoli o catrame.
 - Poiché l'erba o la vegetazione che cresce al di sotto della piscina appassirà, causando odori sgradevoli e fanghiglia, è consigliabile estirparla in corrispondenza del punto in cui verrà collocata la piscina.
 - Evitare inoltre di posizionare la piscina in aree dove crescono piante rampicanti o erbacce in quanto potrebbero crescere attorno al tappeto o al rivestimento interno.
- NOTA:** Verificare con l'amministrazione locale le norme relative all'installazione di recinti, barriere e segnalazioni luminose, nonché i requisiti di sicurezza e assicurarsi di essere in regola con tutte le disposizioni di legge esistenti.
- NOTA:** Se è stata acquistata una pompa a filtro, seguire le istruzioni riportate nel relativo manuale.
- NOTA:** La scaletta deve essere adeguata alle dimensioni della piscina e deve essere utilizzata esclusivamente per entrare e uscire dalla piscina. È vietato superare la portata massima consentita della scaletta. Verificare regolarmente lo stato di montaggio della scaletta.

Installazione

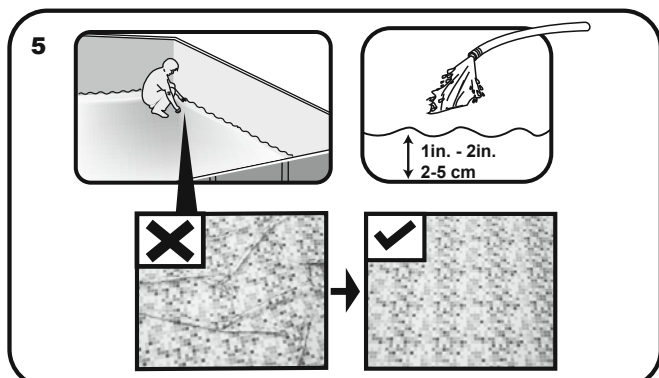
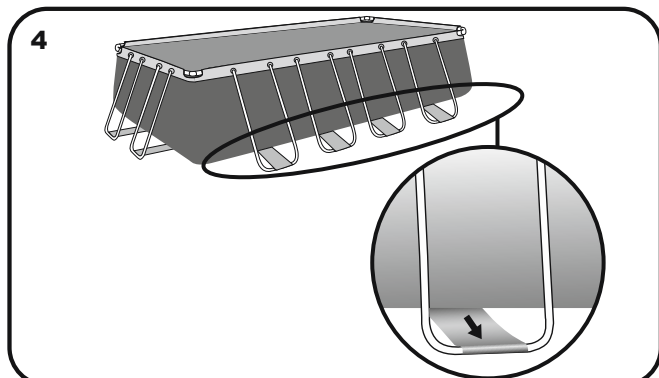
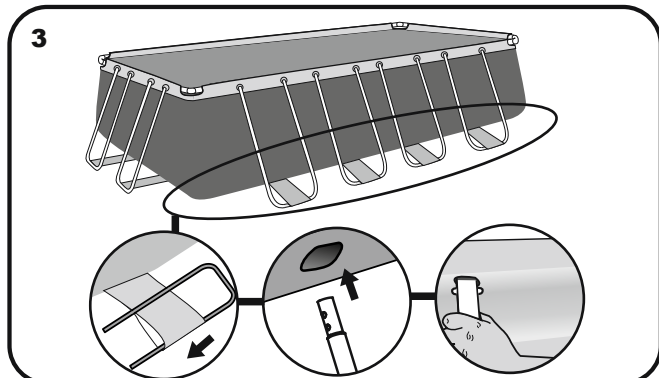
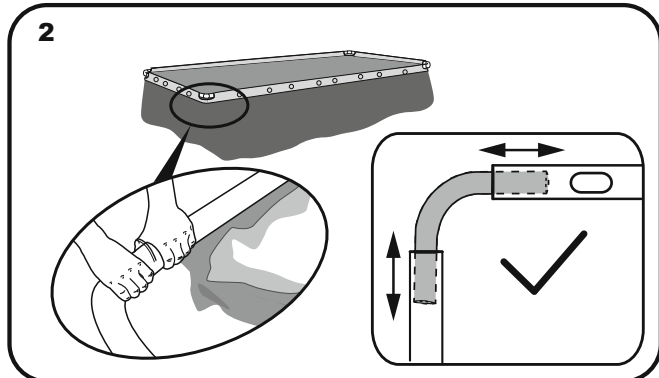
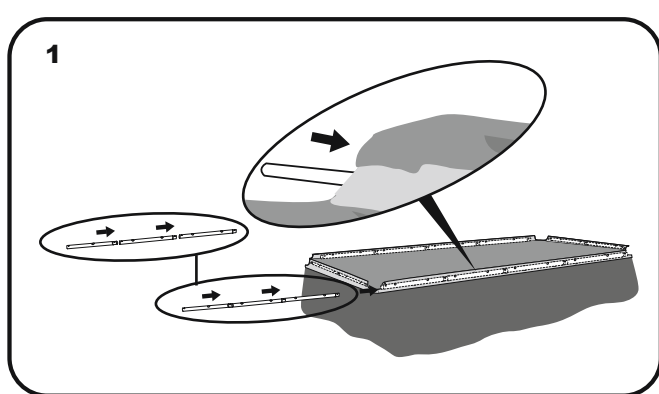
È possibile portare a termine il montaggio della piscina con struttura di forma rettangolare senza attrezzi.

Bestway Inflatables declina qualsiasi responsabilità in merito a danni causati dall'uso improprio della piscina o dal mancato rispetto di queste istruzioni.

1. Controllare che tutti i componenti siano stati forniti nelle quantità corrette secondo l'elenco dei componenti. Qualora mancassero dei componenti, non assemblare la piscina e rivolgersi al Servizio di Assistenza Clienti di Bestway.
2. Stendere la piscina assicurandosi che sia rivolta verso l'alto e lasciarla esposta alla luce diretta del sole per almeno un'ora, in modo da agevolare il montaggio.
3. Collocare la piscina accanto a un impianto di scarico adeguato per l'acqua che trabocca e accertarsi che l'ingresso A e l'uscita B della piscina siano posizionati correttamente per il collegamento della pompa del filtro a una fonte di alimentazione.

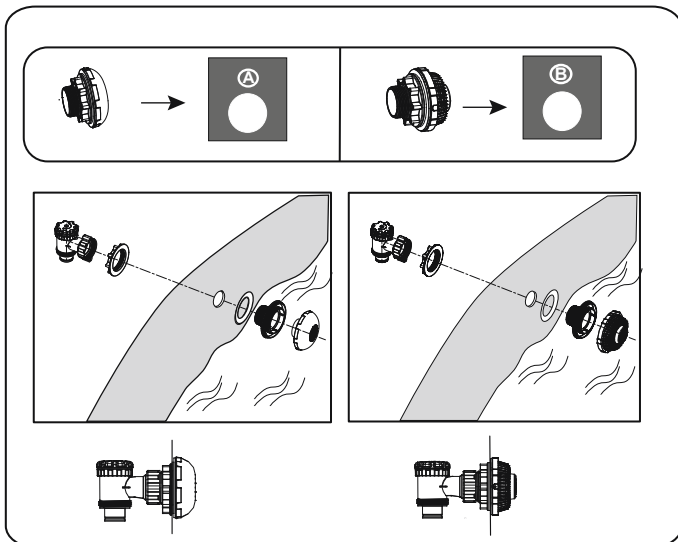
NOTA: Non adoperare prolunghe elettriche per alimentare la pompa.

ATTENZIONE: Non trascinare la piscina sul terreno perché potrebbe danneggiarsi.

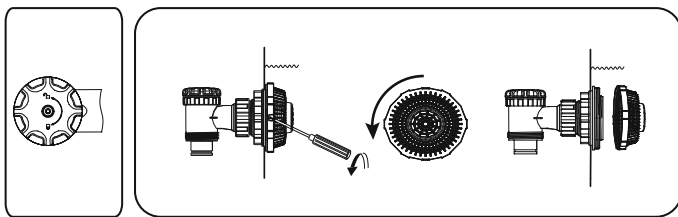


Gruppo valvole di collegamento

Per piscine con valvola di collegamento.



NOTA: Per collegare alla piscina altri kit di pulizia tramite la valvola di collegamento, smontare con un cacciavite a croce il filtro per detriti dal connettore.



Riempimento della Piscina Con Acqua

ATTENZIONE: Sorvegliare la piscina durante la fase di riempimento.

1. Riempire la piscina fino all' 90% della sua capacità. **NON RIEMPIRE ECCESSIVAMENTE** la piscina in quanto potrebbe smontarsi. In caso di forte pioggia è necessario lasciar defluire un pò d'acqua per garantire sempre un livello ottimale.

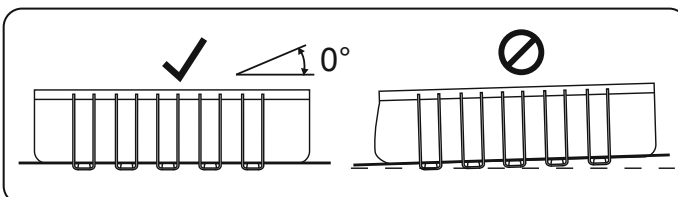
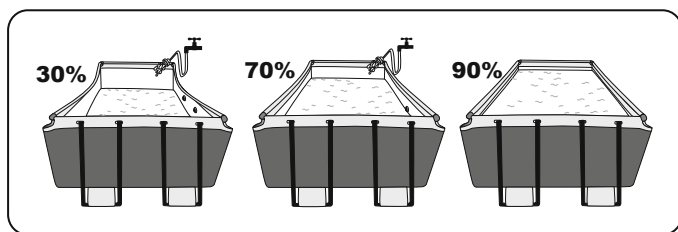
2. Dopo aver riempito la piscina, verificare che l'acqua non si accumuli su un lato della piscina; in tal caso significa la piscina non è in piano.

IMPORTANTE: Se così fosse, far defluire l'acqua e livellare il terreno. Non cercare di spostare la piscina piena d'acqua - rischio di lesioni o danni alla piscina!

AVVERTENZA: la piscina potrebbe contenere una pressione notevole. Se un lato della piscina presenta rigonfiamenti o dislivelli, potrebbe scoppiare e l'acqua potrebbe fuoriuscire violentemente, causando gravi lesioni personali e/o danni ai beni.

3. Verificare la presenza di eventuali fuoriuscite d'aria in corrispondenza di valvole o giunture e controllare il tappeto per individuare evidenti perdite d'acqua. Aggiungere i prodotti chimici solo dopo aver eseguito questa operazione.

NOTA: In caso di perdite, riparare la piscina utilizzando la toppa di riparazione adesiva da utilizzare sott'acqua in dotazione. Fare riferimento alle FAQ per maggiori informazioni.



MANUTENZIONE DELLA PISCINA

AVVERTENZA: attenersi scrupolosamente alle presenti istruzioni relative alla manutenzione per scongiurare lesioni personali, specialmente per i bambini. Il trattamento dell'acqua della piscina è essenziale per la sicurezza degli utenti. Un uso errato dei prodotti chimici può causare danni a cose e persone.

NOTA: la pompa serve a far circolare l'acqua e a filtrare le piccole particelle. Per garantire la pulizia e l'igiene della piscina, è necessario aggiungere prodotti chimici.

1. Si consiglia di non riempire la piscina con acqua di captazione, acqua di perforazione, o di pozzo di drenaggio: queste acque in genere contengono sostanze organiche inquinanti compresi nitrati e fosfati. Si consiglia di riempire le piscine con acqua della rete pubblica.
2. Tenere l'acqua sempre pulita e utilizzare prodotti chimici per la pulizia delle piscine. La mancanza di igiene dell'acqua può essere rischiosa per la salute. Si consiglia di utilizzare disinfettanti, flocculanti, acidi o prodotti chimici alcalini per trattare la piscina.
3. Pulire regolarmente il rivestimento in PVC con un aspiratore per piscine e spazzole non abrasive.
4. Per tutta la stagione estiva, il sistema di filtraggio dell'acqua deve essere azionato ogni giorno per pulire tutta l'acqua della piscina.
5. Controllare la cartuccia del filtro (o la sabbia in un filtro a sabbia) regolarmente e sostituire le cartucce sporche (o la sabbia).
6. Accertarsi regolarmente che le viti, i bulloni e le parti metalliche siano prive di ruggine. Se necessario, sostituire i componenti arrugginiti.
7. Quando piove, accertarsi che l'acqua non superi il livello indicato.
Se l'acqua supera il livello specificato, svuotare la piscina fino a raggiungere il livello corretto.
8. Non adoperare la pompa in presenza di persone nella piscina.
9. Coprire la piscina quando non viene utilizzata.
10. Per il trattamento dell'acqua della piscina, il valore pH è molto importante.

ATTENZIONE: non lasciare la piscina svuotata all'aperto.

I seguenti parametri assicurano una buona qualità dell'acqua

Parametri	Valori
Chiarezza dell'acqua	Acqua limpida fino al fondo della piscina
Colore dell'acqua	Non deve essere osservato nessun colore
Torbidità in FNU/NTU	max 1,5 (preferibilmente meno di 0,5)
La concentrazione di nitrati superiore a quella di riempimento dell'acqua in mg/l	max 20
Carbonio organico totale (TOC) in mg/l	max 4,0
Potenziale Redox contro Ag/AgCl 3,5 m KCl in mV	min. 650
Valore pH	da 6,8 a 7,6
Cloro attivo libero (senza acido cianurico) in mg/l	da 0,3 a 1,5
Cloro libero usato in combinazione con l'acido cianurico in mg/l	da 1,0 a 3,0
Acido cianurico in mg/l	max 100
Cloro combinato in mg/l	max 0,5 (preferibilmente vicino a 0,0 mg/l)

ATTENZIONE: Non adoperare la pompa in presenza di persone nella piscina. Nella stagione in cui viene utilizzata la piscina, l'impianto di filtraggio deve essere attivato ogni giorno, per un periodo di tempo sufficiente a garantire il ricambio di tutta l'acqua della piscina.

Riparazione

Controllare che la piscina non abbia perdite dalle valvole o dalle cuciture, controllare il telone per eventuali perdite d'acqua evidenti. Fino a che ciò non è stato fatto, non aggiungere prodotti chimici.

NOTA: In caso di perdite, riparare la piscina utilizzando la toppa di riparazione adesiva da utilizzare sott'acqua in dotazione. Fare riferimento alle FAQ per maggiori informazioni.

Smontaggio

1. Svitare in senso antiorario il cappuccio della valvola di scarico e rimuoverlo.
2. Collegare l'adattatore al tubo e collocare l'altra estremità del tubo nell'area in cui si desidera svuotare la piscina. (Verificare le normative locali per le regole in materia di svuotamento delle piscine).
3. Svitare in senso orario l'anello di controllo dell'adattatore del tubo sulla valvola di scarico. La valvola di scarico si apre e l'acqua incomincia a scaricarsi automaticamente.

ATTENZIONE: il flusso d'acqua può essere controllato con l'anello di controllo.

4. Una volta scaricata tutta l'acqua, svitare l'anello di controllo per chiudere la valvola.
5. Scollegare il tubo.

6. Riavvitare il tappo sulla valvola di scarico.

7. Lasciare asciugare all'aria la piscina.

ATTENZIONE: non lasciare la piscina vuota all'esterno.

Conservazione e preparazione per la stagione invernale

1. Rimuovere tutti gli accessori e i ricambi della piscina; pulirli e asciugarli prima di conservarli.
2. Quando la piscina è completamente asciutta, spargere polvere di talco per evitare che le pareti della piscina si inclino tra loro, quindi ripiegarla con cura. Se la piscina non è completamente asciutta, potrebbe ammuffirsi e il rivestimento della piscina potrebbe danneggiarsi.
3. Conservare il rivestimento e gli accessori in un luogo asciutto con una temperatura moderata tra 5°C/41°F e 38°C/100°F.
4. Durante i periodi piovosi, la piscina e i relativi accessori devono essere conservati attenendosi alle istruzioni sopra fornite.
5. Se la piscina non viene svuotata correttamente, potrebbero verificarsi gravi lesioni personali e/o danni a oggetti e beni.
6. Si consiglia vivamente di smontare la piscina durante la bassa stagione (mesi invernali). Conservare in un luogo asciutto e fuori dalla portata dei bambini.

Garanzia limitata del produttore BESTWAY®

Il prodotto acquistato è coperto da una garanzia limitata. Bestway® garantisce che il prodotto è privo di difetti di fabbrica; in caso di difetti, il prodotto verrà sostituito.

La seguente disposizione è valida solo all'interno degli Stati membri dell'Unione europea. La garanzia limitata BESTWAY non avrà alcun effetto sulle disposizioni di legge della Direttiva 1999/44/CE.

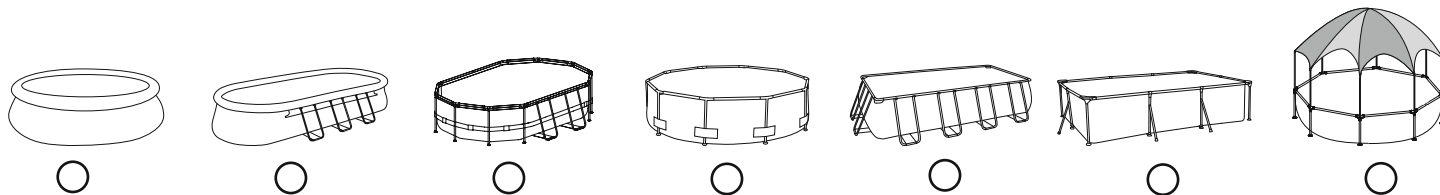
Per utilizzare la garanzia, compilare questo modulo e inviarlo assieme a una copia della ricevuta di acquisto al centro post-vendita Bestway locale. Per l'applicazione della garanzia, il centro post-vendita Bestway potrebbe chiedere l'invio di una parte del componente difettoso (ad es. il ritaglio del numero del lotto di produzione o la valvola di scarico). Prima di inviare i documenti, rivolgersi al centro post-vendita Bestway per ricevere le istruzioni dettagliate sugli elementi da fornire per l'applicazione della garanzia.

Bestway® non è responsabile per danni economici dovuti ai costi dell'acqua o dei prodotti chimici. Bestway® non sostituisce i prodotti se ritiene che siano stati utilizzati in maniera non corretta o non conforme alle istruzioni riportate nel manuale d'uso.

La garanzia rilasciata da Bestway copre eventuali difetti di fabbricazione scoperti all'apertura dell'imballo o durante l'uso del prodotto, ed è valida solo se l'apparecchiatura è stata utilizzata correttamente, in conformità alle avvertenze e alle istruzioni riportate nel manuale dell'utente. La garanzia è valida solo se il prodotto non è stato modificato. Conservare e utilizzare il prodotto in conformità alle raccomandazioni tecniche.

La garanzia limitata è valida nel periodo indicato sopra. La data di inizio validità della garanzia è la data di acquisto riportata sulla fattura o sulla ricevuta di acquisto originale.

Scegliere il tipo di piscina:



Data di acquisto: _____ Codice cliente: _____

A: Assistenza Bestway® Data: _____

FAX/EMAIL/TEL: fare riferimento ai dati relativi al proprio paese, riportati sul retrocopertina o reperibili sul sito Web: www.bestwaycorp.com
Fornire il proprio indirizzo completo. **Nota:** se si fornisce un indirizzo incompleto, la spedizione potrebbe subire ritardi.
Bestway si riserva il diritto di addebitare i costi di riconsegna di merce non recapitata per cause imputabili al destinatario.

INFORMAZIONI INDISPENSABILI: INDICARE L'INDIRIZZO DI SPEDIZIONE

Nome e Cognome: _____ Indirizzo: _____

CAP: _____ Rivenditore: _____

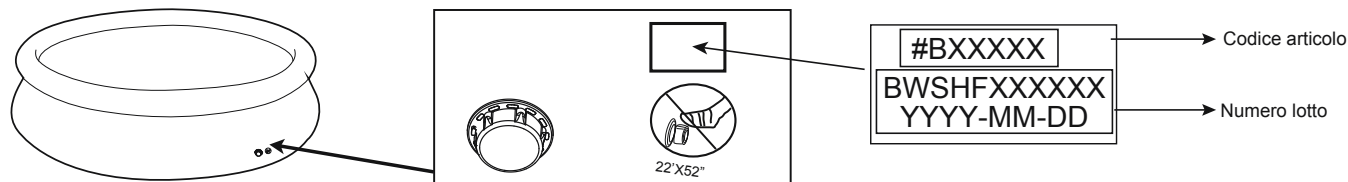
Nazione: _____ Città: _____

Cellulare: _____ Telefono: _____

Fax: _____ E-mail: _____

Scrivere il numero di lotto e il codice dell'articolo indicati accanto alla valvola di scarico

Numero lotto: _____ Codice articolo: _____



Descrizione del problema

Il prodotto è strappato/perde Saldatura difettosa Anello superiore difettoso Valvola di scarico difettosa

Altro (specificare) Componenti mancanti (utilizzare il codice delle parti mancanti, reperibile nel manuale per l'utente.)

IMPORTANTE: VERRANNO SOSTITUITI SOLO I COMPONENTI DANNEGGIATI, NON TUTTO IL PRODOTTO.

Bestway si riserva il diritto di richiedere prove fotografiche o l'invio dei componenti difettosi per ulteriori verifiche. Per ottenere la migliore assistenza possibile, le informazioni fornite devono essere complete.

PER CONSULTARE LE DOMANDE FREQUENTI, SCARICARE I MANUALI, VISUALIZZARE I VIDEO O REPERIRE RICAMBI,

VISITATE IL NOSTRO SITO WEB: www.bestwaycorp.com

I VIDEO SONO DISPONIBILI ANCHE SUL NOSTRO CANALE BESTWAY SU YOUTUBE: <http://youtube.com/user/BestwayService>

Bestway®

PISCINES RECTANGULAIRES POWER STEEL™ NOTICE D'UTILISATION



Visitez la chaîne YouTube de Bestway

ATTENTION

Avant d'installer et d'utiliser, la piscine, veuillez lire attentivement, assimiler et respecter toutes les informations contenues dans cette notice d'utilisation. Ces avertissements, instructions et consignes de sécurité portent sur certains des risques usuels associés aux loisirs aquatiques, mais ils ne peuvent pas couvrir la totalité des risques et dangers dans tous les cas. Faites toujours preuve de prudence, de discernement et de bon sens lors des activités aquatiques. Conservez ces informations afin de pouvoir vous y référer ultérieurement.

Sécurité des non-nageurs

- Une surveillance attentive, active et continue par un adulte compétent des enfants qui ne savent pas bien nager et des non-nageurs est requise en permanence (en gardant à l'esprit que le risque de noyade est le plus élevé pour les enfants de moins de cinq ans).
- Désignez un adulte compétent pour surveiller le bassin à chaque fois qu'il est utilisé.
- Il convient que les enfants qui ne savent pas bien nager ou les non-nageurs portent des équipements de protection individuelle lorsqu'ils utilisent la piscine.
- Lorsque le bassin n'est pas utilisé ou est sans surveillance, retirez tous les jouets de la piscine et ses abords afin de ne pas attirer les enfants vers le bassin.

Dispositifs de sécurité

- Pour éviter toute noyade d'enfant, il est recommandé de sécuriser l'accès au bassin par un dispositif de protection. Pour éviter que les enfants montent par la vanne d'entrée et de sortie, il est recommandé d'installer une barrière (et de sécuriser toutes les portes et fenêtres, le cas échéant) afin d'empêcher tout accès non autorisé à la piscine.
- Les barrières, couvertures, alarmes de piscines ou dispositifs de sécurité similaires sont des aides utiles, mais ils ne remplacent pas la surveillance continue par un adulte compétent.

Équipements de sécurité

- Il est recommandé de garder du matériel de sauvetage (une bouée, par exemple) près du bassin.
- Gardez un téléphone en parfait état de marche et une liste de numéros d'urgence à proximité du bassin.

Sécurité d'emploi de la piscine

- Incitez tous les utilisateurs, en particulier les enfants, à apprendre à nager.
- Apprenez les gestes qui sauvent (réanimation cardiopulmonaire) et remettez régulièrement à jour vos connaissances. Ces gestes peuvent sauver une vie en cas d'urgence.
- Expliquez aux utilisateurs de la piscine, enfants inclus, la procédure à suivre en cas d'urgence.
- Ne plongez jamais dans un plan d'eau peu profond, sous peine de blessures graves ou mortelles.
- N'utilisez pas la piscine sous l'emprise d'alcool ou de médicaments susceptibles de réduire votre capacité à utiliser la piscine en toute sécurité.
- Si la piscine est recouverte d'une couverture, retirez-la entièrement de la surface de l'eau avant d'entrer dans le bassin.
- Traitez l'eau de votre piscine et installez de bonnes pratiques d'hygiène afin de protéger les utilisateurs des maladies liées à l'eau. Consultez les consignes de traitement de l'eau données dans la notice d'utilisation.
- Stockez les produits chimiques (produits de traitement de l'eau, de nettoyage ou de désinfection, par exemple) hors de portée des enfants.
- Utilisez les pictogrammes décrits ci-dessous. Les pictogrammes doivent être affichés dans une position visible à moins de 2 000 mm de la piscine.



- Surveillez les enfants lorsqu'ils se trouvent dans l'eau. Interdiction de plonger.
- Placez les échelles amovibles sur une surface horizontale.
- Quels que soient les matériaux utilisés pour la construction de la piscine, les surfaces accessibles doivent être régulièrement contrôlées afin d'éviter les blessures.
- Vérifiez régulièrement les boulons et les vis ; éliminez les écailles ou toute arête vive pour éviter les blessures.
- **ATTENTION**: ne laissez pas la piscine vide à l'extérieur. La piscine vide est susceptible de se déformer et/ou d'être emportée par le vent.
- Si vous avez une pompe de filtration, reportez-vous à la notice d'instructions de la pompe. **ATTENTION!** Il est interdit d'utiliser la pompe quand des gens se trouvent à l'intérieur de la piscine !
- Si vous avez une échelle, reportez-vous à la notice d'instructions de l'échelle. **ATTENTION!** L'utilisation d'une piscine implique le respect des consignes de sécurité contenues dans la notice d'utilisation et d'entretien. Afin d'éviter la noyade et toute autre blessure grave, faites particulièrement attention à la possibilité pour les enfants de moins de 5 ans d'accéder à l'improviste à la piscine en sécurisant son accès, et veillez à ce qu'un adulte les surveille constamment pendant la baignade.

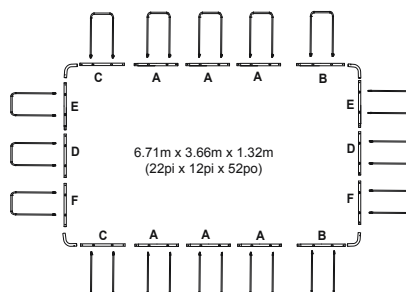
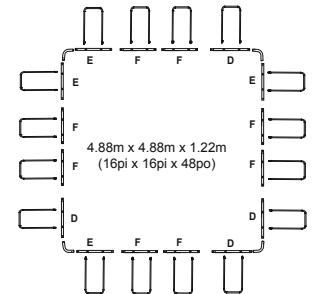
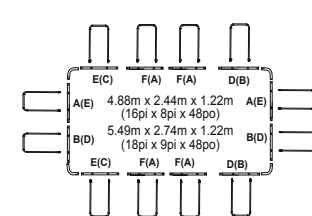
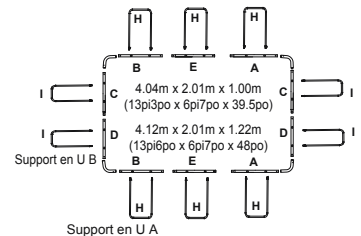
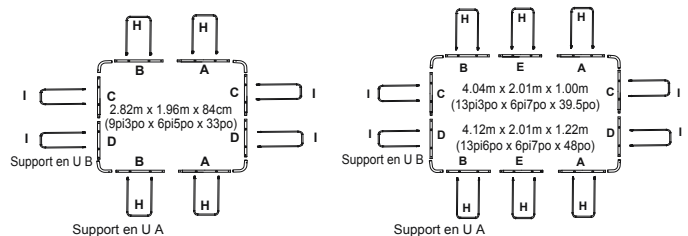
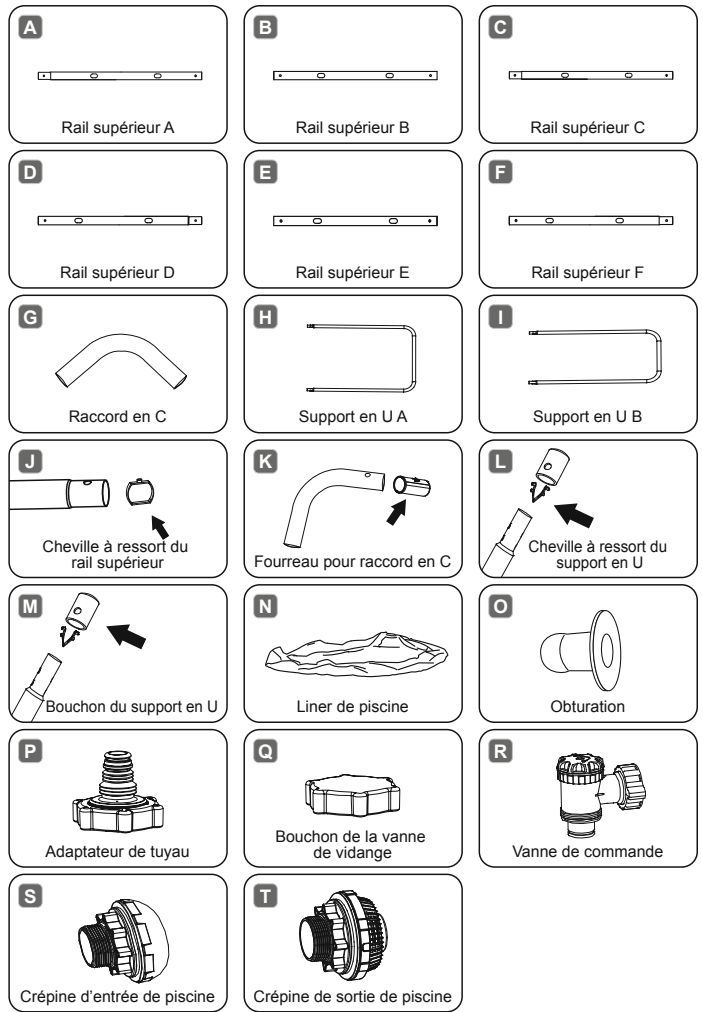
Veuillez lire attentivement ce document et conservez-le pour pouvoir le consulter en cas de besoin.

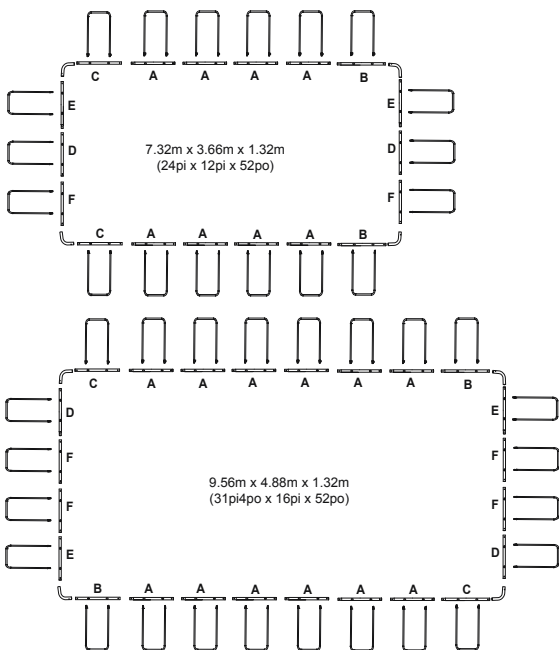
L'installation prend habituellement 20-30 minutes environ avec 2-3 personnes, à l'exclusion des ouvrages de terre et du remplissage.

Voir ci-dessous les descriptions des pièces.

Liste de pièces:

REMARQUE : Certaines pièces ont déjà été installées sur la piscine.





REMARQUE: Les dessins ne sont qu'à titre d'illustration. Il peut arriver qu'ils ne reflètent pas le produit réel. Pas à l'échelle.

A LIRE ATTENTIVEMENT ET À CONSERVER POUR CONSULTATION ULTÉRIEURE.

CHOISIR L'EMPLACEMENT CORRECT

REMARQUE: La piscine doit être montée sur une surface complètement plate et nivelée. N'installez pas SVP la piscine si la surface est inclinée ou en pente.

Condition correcte pour installer la piscine:

- L'emplacement choisi doit pouvoir supporter uniformément le poids pendant toute la durée d'installation de la piscine. En outre, l'emplacement doit être plat et doit être dénué d'objets et débris, y compris des cailloux et des brindilles.
- Nous recommandons de positionner la piscine loin d'objets que les enfants pourraient utiliser pour grimper dans la piscine.

REMARQUE: Placer la piscine près d'un système d'évacuation adéquat pour traiter tout surplus ou pour vidanger la piscine.

Conditions incorrectes pour installer la piscine:

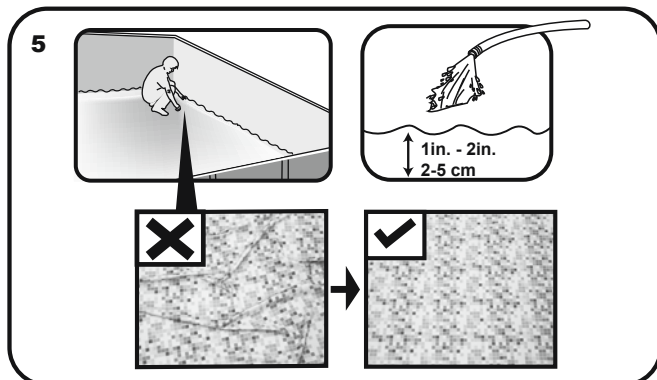
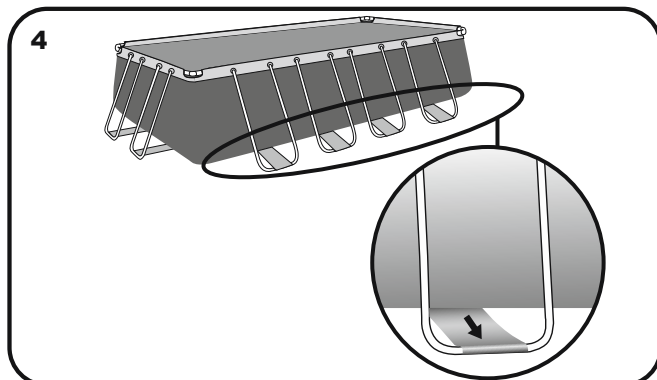
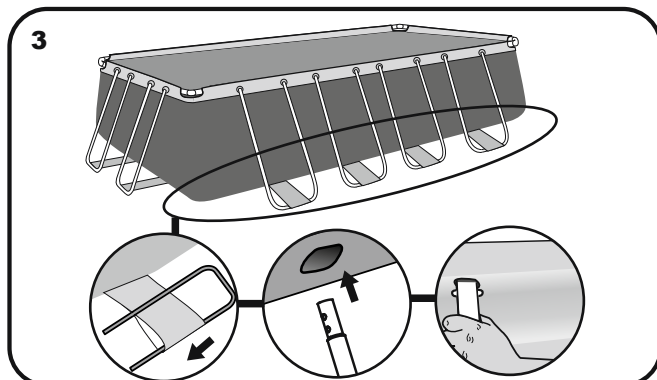
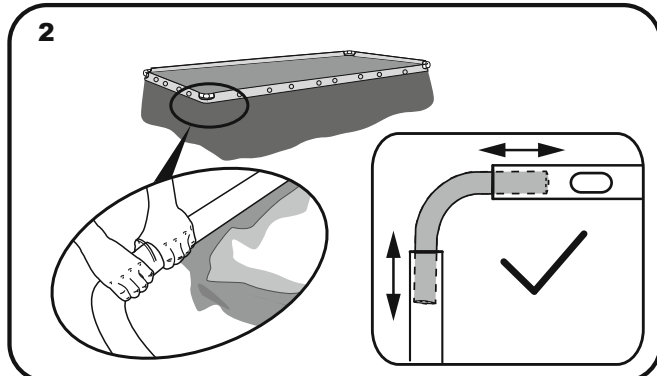
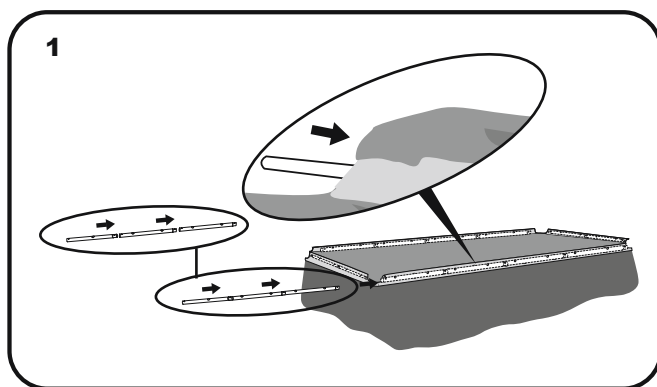
- Sur un sol irrégulier, la piscine pourrait s'affaisser provoquant de graves lésions personnelles et/ou des dommages aux biens personnels et cela annulerait la garantie et empêcherait toute réclamation.
 - Ne pas utiliser de sable pour créer une base de niveau ; le sol doit être creusé si nécessaire.
 - Directement sous des lignes électriques aériennes ou des arbres. Assurez-vous que l'emplacement ne contient pas de tuyaux souterrains, de lignes ou câbles de quelque sorte que ce soit.
 - Ne pas installer la piscine sur des routes, des ponts, des plate-formes, des surfaces en graviers ou en asphalte. L'emplacement choisi doit être suffisamment ferme pour résister à la pression de l'eau; boue, sable, sol mou ou goudron ne sont pas adaptés.
 - L'herbe ou toute autre végétation sous la piscine mourra et est susceptible de provoquer des odeurs et le développement de boue, nous vous recommandons donc d'enlever toute l'herbe de l'emplacement choisi pour la piscine.
 - Éviter les zones où des plantes agressives et des espèces de mauvaises herbes pouvant pousser à travers le revêtement posé au sol sont susceptibles de se développer
- REMARQUE:** Vérifier avec votre conseil municipal les règlements liés aux barrières, enceintes, éclairage et dispositifs de sécurité et assurez-vous que vous conformez à toutes les lois.
- REMARQUE:** Si vous disposez d'une pompe filtrante, consultez le manuel de la pompe pour connaître les instructions.
- REMARQUE:** L'échelle doit être adaptée à la taille de la piscine et doit être utilisée uniquement pour entrer et sortir de la piscine. Il est interdit de dépasser la charge permise sur l'échelle. Vérifiez régulièrement si l'échelle est convenablement assemblée.

Installation

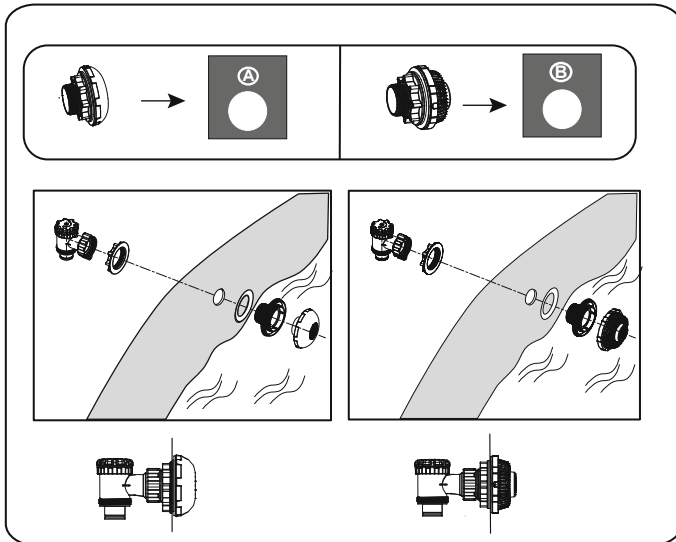
Le montage de la piscine à cadre rectangulaire peut se faire sans outil.

Bestway Inflatables n'est pas responsable pour les dommages causés à la piscine par une mauvaise manipulation ou par le non respect de ces instructions.

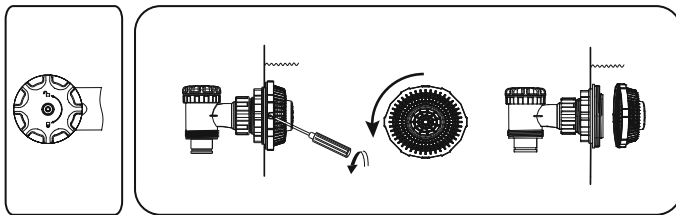
1. Disposez toutes les pièces et vérifiez que vous avez les quantités correctes comme énuméré dans la liste des pièces. Si des pièces manquent, n'assemblez pas la piscine, contacter le service clients Bestway
 2. Déployez la piscine et contrôlez qu'elle soit tournée dans le bon sens, laissez-la au soleil pendant 1 heure ou plus pour qu'elle soit plus flexible pendant le montage.
 3. Placez la piscine près d'un système de vidange approprié pour gérer le débordement de l'eau et vérifiez que l'entrée A et la sortie B de la piscine sont correctement positionnées pour permettre à votre pompe de filtration d'être branchée sur une source de courant. **Remarque:** N'utilisez pas de rallonge pour alimenter votre pompe.
- ATTENTION:** Ne traînez pas la piscine sur le sol car cela peut l'abîmer.



Montage de la vanne de communication
 Pour les piscines avec vanne de communication.



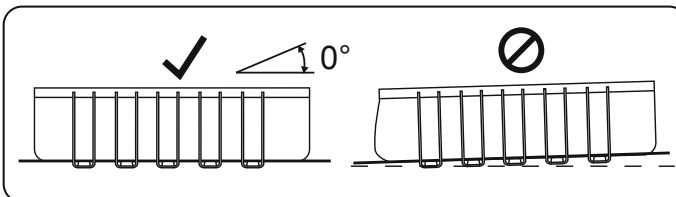
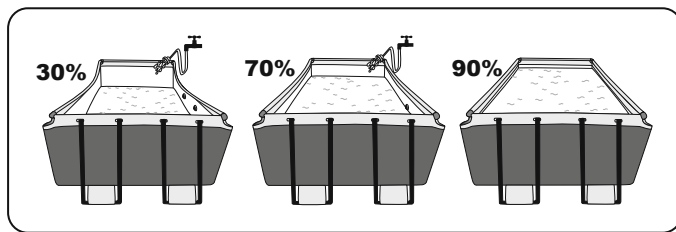
REMARQUE: si vous souhaitez raccorder d'autres kits de nettoyage de piscine à la piscine au moyen de la vanne de communication, utilisez un tournevis cruciforme pour démonter la grille du connecteur.



Remplir D'eau la Piscine

ATTENTION : Ne laissez pas la piscine sans surveillance quand vous la remplissez d'eau.

- Remplissez la piscine à 90%. **NE REMPLISSEZ PAS TROP** car cela pourrait provoquer un effondrement de la piscine. En cas de fortes pluies, vous devez vider suffisamment la piscine pour que le niveau reste correct.
- Lorsque le remplissage de la piscine est achevé, contrôlez que l'eau ne se rassemble pas d'un côté pour s'assurer que la piscine est bien nivelée.
IMPORTANT: Si la piscine n'est pas nivelée, enlevez l'eau et nivelez de nouveau le sol en le creusant. N'essayez jamais de déplacer la piscine avec de l'eau à l'intérieur, cela pourrait provoquer de graves blessures ou endommager la piscine.
ATTENTION : Votre piscine peut contenir une forte pression. Si votre piscine est bombée ou présente un côté irrégulier cela veut dire qu'elle n'est pas à niveau, les côtés pourraient exploser et l'eau pourrait se vider à l'improviste en provoquant des blessures graves et/ou des dégâts matériels.
- Contrôlez s'il y a des fuites au niveau des soupapes ou des coutures, contrôlez le tapis de sol pour vérifiez s'il y a d'évidentes pertes d'eau. N'ajoutez pas de produits chimiques avant ce contrôle.
REMARQUE: En cas de fuite, réparez votre piscine au moyen de la rustine résistante fournie. Reportez-vous aux FAQ pour de plus amples informations.



ENTRETIEN DE LA PISCINE

Attention: Si vous ne respectez pas ces consignes d'entretien, vous mettez en danger votre santé, et en particulier celle des enfants. Il est fondamental de traiter l'eau de la piscine pour la sécurité des utilisateurs. L'utilisation incorrecte de produits chimiques entraînera des dégâts matériels et des blessures.

REMARQUE: La pompe sert à faire circuler l'eau et à filtrer les petites particules. Pour que l'eau de votre piscine reste propre et saine, vous devez également ajouter des produits chimiques.

- Il est recommandé de ne pas remplir la piscine avec de l'eau de retenue, de l'eau de forage ou de l'eau de puisard : ces eaux contiennent habituellement des substances organiques polluées comprenant des nitrates et des phosphates. Il est conseillé de remplir les piscines avec de l'eau du réseau public.
- Maintenez la piscine toujours propre et utilisez les produits chimiques corrects. L'eau insalubre est un danger sérieux pour la santé. Il est recommandé d'utiliser un désinfectant, un flocculant, un acide ou des produits chimiques alcalis pour traiter votre piscine.
- Nettoyez régulièrement la bâche en PVC avec des brosses non abrasives ou un aspirateur de piscine.
- Durant la saison, il faut faire fonctionner le système de filtration de l'eau pendant suffisamment longtemps chaque jour pour nettoyer tout le volume de l'eau dans la piscine.
- Contrôlez régulièrement la cartouche du filtre (ou le sable dans un filtre à sable) et remplacez les cartouches sales (ou le sable).
- Vérifiez régulièrement que les vis, les boulons et toutes les pièces métalliques ne soient pas rouillés. Remplacez-les si nécessaire.
- S'il pleut, vérifiez que le niveau de l'eau ne dépasse pas le niveau indiqué.
 Si l'eau dépasse les niveaux indiqués, vidangez la piscine jusqu'au niveau indiqué.
- Ne faites pas fonctionner la pompe quand vous utilisez la piscine.
- Couvrez la piscine quand vous ne l'utilisez pas.
- La valeur du pH est très importante pour le traitement de l'eau de la piscine.

ATTENTION: ne laissez pas la piscine vide à l'extérieur.

Les paramètres suivants garantissent une bonne qualité de l'eau

Paramètres	Valeurs
Clarté de l'eau	le fond de la piscine est clairement visible
Couleur de l'eau	on ne doit remarquer aucune couleur de l'eau
Turbidité en FNU/NTU	1,5 maxi (de préférence inférieure à 0,5)
Concentration de nitrates supérieure à celle de l'eau de remplissage en mg/l	20 maxi
Carbone organique total (COT) en mg/l	4,0 maxi
Potentiel d'oxydo-réduction par rapport à Ag/AgCl 3,5 m KCl en mV	650 mini
Valeur du pH	de 6,8 à 7,6
Chlore actif libre (sans acide cyanurique) en mg/l	de 0,3 à 1,5
Chlore libre utilisé combiné avec de l'acide cyanurique en mg/l	de 1,0 à 3,0
Acide cyanurique en mg/l	100 maxi
Chlore combiné en mg/l	0,5 maxi (de préférence proche de 0,0 mg/l)

ATTENTION: ne faites pas fonctionner la pompe quand vous utilisez la piscine. Durant la saison d'utilisation de la piscine, le système de filtration doit être nécessairement mis en service tous les jours pendant suffisamment longtemps pour garantir au moins un renouvellement complet du volume de l'eau.

Réparation

Vérifiez que la piscine ne présente aucune fuite au niveau des vannes ou des coutures, contrôlez que le tapis de sol ne présente aucune perte d'eau visible. N'ajoutez aucun produit chimique tant que cela n'a pas été fait.

REMARQUE: En cas de fuite, réparez votre piscine au moyen de la rustine résistante fournie. Reportez-vous aux FAQ pour de plus amples informations.

Démontage

- Dévissez le capuchon de la vanne de vidange dans le sens contraire des aiguilles d'une montre et enlevez-le.
- Raccordez l'adaptateur sur le tuyau et placez l'autre extrémité du tuyau dans la zone où vous souhaitez vidanger votre piscine. (consultez les règlements locaux pour connaître les lois en matière de vidange).
- Vissez la rondelle de contrôle de l'adaptateur du tuyau sur la vanne de vidange dans le sens des aiguilles d'une montre. La vanne de vidange sera ouverte et l'eau commencera à se vider automatiquement.
ATTENTION: Le débit de l'eau peut être contrôlé avec la rondelle de contrôle.
- Quand la vidange est terminée, dévissez la rondelle de contrôle pour fermer la vanne.
- Débranchez le tuyau.
- Revissez le capuchon sur la vanne de vidange.
- Séchez la piscine.
ATTENTION: Ne laissez pas la piscine vide à l'extérieur.

Rangement et remisage

- Enlevez tous les accessoires et toutes les pièces détachées de la piscine, puis rangez-les après les avoir lavés et séchés.
- Une fois que la piscine est entièrement sèche, saupoudrez de talc afin d'éviter que la piscine colle et pliez-la soigneusement. Si la piscine n'est pas entièrement sèche, de la moisissure peut se former et endommager la bâche de la piscine.
- Rangez la bâche et les accessoires au sec à une température modérée comprise entre 5 °C / 41 °F et 38 °C / 100 °F.
- Pendant la saison des pluies, il faut ranger la piscine et ses accessoires comme cela est indiqué plus haut.
- Une vidange incorrecte de la piscine peut provoquer des blessures graves et/ou des dégâts matériels.
- Nous conseillons vivement de démonter la piscine hors saison (pendant l'hiver). Rangez-la au sec, hors de portée des enfants.

Garantie limitée du fabricant BESTWAY®

Le produit que vous avez acheté est accompagné d'une garantie limitée. Bestway® défend sa garantie de qualité et assure, grâce à une garantie de remplacement, que votre produit ne présentera pas de vices de fabrication.

La disposition suivante n'est valable que dans les pays européens : la Directive 1999/44/CE ne sera pas affectée par cette garantie limitée BESTWAY.

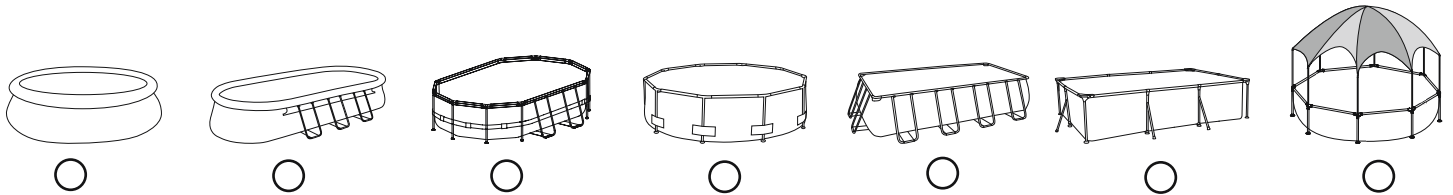
Pour présenter une réclamation dans le cadre de la garantie, il faut remplir ce formulaire qui doit être envoyé au service après-vente Bestway le plus proche, accompagné d'une copie de votre attestation d'achat. Avant d'accepter toute réclamation, le service après-vente Bestway peut vous demander de lui envoyer une partie de la pièce défectueuse (par ex : une découpe du numéro du lot de production / de la vanne de vidange). Veuillez contacter le service après-vente Bestway le plus proche avant d'envoyer tout document. Il vous communiquera toutes les instructions pour présenter votre réclamation.

Bestway® ne peut être tenue pour responsable du préjudice économique dérivant des coûts des produits chimiques ou de l'eau. Bestway® ne remplacera aucun produit jugé comme ayant été endommagé par négligence ou comme ayant été utilisé sans respecter les consignes de la notice d'utilisation.

La garantie Bestway couvre les vices de fabrication découverts lors du déballage du produit ou pendant son utilisation, dans les limites d'utilisation et dans le respect des mises en garde et des instructions fournies dans la notice d'utilisation. Cette garantie ne s'applique qu'aux produits n'ayant pas été modifiés par des tiers. Le produit doit être stocké et manipulé dans le respect des recommandations techniques.

La garantie limitée est valable pour la période susmentionnée. La garantie s'applique à partir de la date de la vente indiquée sur le reçu/la facture d'origine.

Veillez choisir le type de votre piscine :



Date d'achat : _____ N° de code client : _____

À L'ATTENTION DE : Bestway® Service Department Date : _____

FAX/E-MAIL/TÉL. : Veuillez vous référer à votre pays en ce qui concerne les informations que vous trouverez au dos de la couverture ou sur notre site web : www.bestwaycorp.com
Veillez fournir votre adresse dans son intégralité. **Remarque** : les adresses incomplètes porteront à des retards d'expédition.
Bestway se réserve le droit de facturer le retour des colis non livrés quand la faute est imputable au destinataire.

INFORMATIONS REQUISES - VEUILLEZ ÉCRIRE L'ADRESSE DE LIVRAISON

Nom: _____ Adresse: _____

Code postal: _____ Distributeur: _____

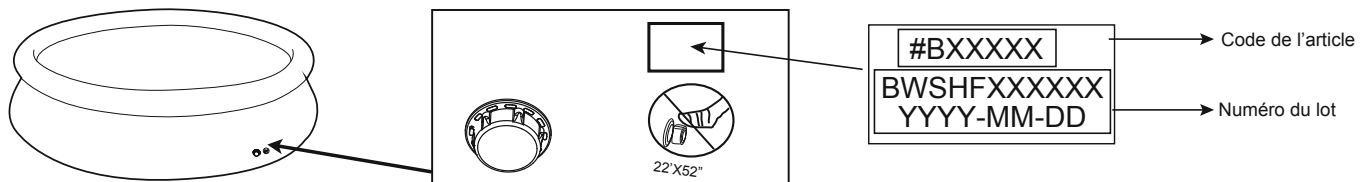
Pays: _____ Ville: _____

Portable: _____ Téléphone: _____

Fax: _____ E-mail: _____

Veillez écrire le numéro du lot et le code de l'article situé à proximité de la vanne de vidange

Numéro du lot : _____ Code de l'article : _____



Description du problème

- L'article est déchiré / Fuite Soudure défectueuse Boudin du haut défectueux Vanne de vidange défectueuse
- Autre (veuillez décrire) Partie manquante (veuillez utiliser le code pour la partie manquante. Vous pouvez le trouver sur la notice d'utilisation)

IMPORTANT: SEULE LA PIÈCE ENDOMMAGÉE SERA REMPLACÉE, PAS L'ENSEMBLE COMPLET.


Bestway se réserve le droit de demander des photographies attestant l'état défectueux des pièces ou de demander l'envoi de l'article pour des tests supplémentaires. Pour mieux vous aider, nous demandons à ce que toutes les informations que vous fournissez soient complètes.

POUR LES FAQ, MANUELS, VIDÉOS OU PIÈCES DÉTACHÉES, VEUILLEZ VISITER NOTRE SITE WEB : www.bestwaycorp.com
LES VIDÉOS SONT ÉGALEMENT DISPONIBLES SUR NOTRE CHAÎNE BESTWAY SUR YOUTUBE : <http://youtube.com/user/BestwayService>.

Bestway®

ΟΡΘΟΓΩΝΙΕΣ ΠΙΣΙΝΕΣ POWER STEEL™

ΕΓΧΕΙΡΙΔΙΟ ΧΡΗΣΤΗ

ΕΠΙΣΚΕΦΤΕΙΤΕ ΤΟ ΚΑΝΑΛΙ ΤΗΣ BESTWAY ΣΤΟ YOUTUBE 



ΠΡΟΕΙΔΟΠΟΙΗΣΗ

ΔΙΑΒΑΣΤΕ ΠΡΟΣΕΚΤΙΚΑ, ΚΑΤΑΝΟΗΣΤΕ ΚΑΙ ΑΚΟΛΟΥΘΗΣΤΕ ΟΛΕΣ ΤΙΣ ΠΛΗΡΟΦΟΡΙΕΣ ΣΕ ΑΥΤΟ ΤΟ ΕΓΧΕΙΡΙΔΙΟ ΧΡΗΣΗΣ ΠΡΙΝ ΑΠΟ ΤΗΝ ΕΓΚΑΤΑΣΤΑΣΗ ΚΑΙ ΤΗ ΧΡΗΣΗ ΤΗΣ ΠΙΣΙΝΑΣ. ΑΥΤΕΣ ΟΙ ΠΡΟΕΙΔΟΠΟΙΗΣΕΙΣ, ΟΔΗΓΙΕΣ ΚΑΙ ΚΑΤΕΥΘΥΝΤΗΡΙΕΣ ΟΔΗΓΙΕΣ ΓΙΑ ΤΗΝ ΑΣΦΑΛΕΙΑ ΑΝΑΦΕΡΟΝΤΑΙ ΣΕ ΚΑΠΟΙΟΥΣ ΣΥΝΗΘΙΣΜΕΝΟΥΣ ΚΙΝΔΥΝΟΥΣ ΤΗΣ ΑΝΑΨΥΧΗΣ ΣΤΟ ΝΕΡΟ, ΑΛΛΑ ΔΕΝ ΜΠΟΡΟΥΝ ΝΑ ΚΑΛΥΨΟΥΝ ΟΛΟΥΣ ΤΟΥΣ ΚΙΝΔΥΝΟΥΣ ΣΕ ΟΛΕΣ ΤΙΣ ΠΕΡΙΠΤΩΣΕΙΣ. ΠΛΗΡΟΤΕΡΕΣ ΠΡΟΧΩΧΗ, ΚΟΙΝΗ ΛΟΓΙΚΗ ΚΑΙ ΚΑΛΗ ΚΡΙΣΗ ΟΤΑΝ ΑΠΟΛΑΜΒΑΝΕΤΕ ΟΠΟΙΟΔΗΠΟΤΕ ΔΡΑΣΤΗΡΙΟΤΗΤΑ ΣΤΟ ΝΕΡΟ. ΦΥΛΑΞΤΕ ΑΥΤΕΣ ΤΙΣ ΠΛΗΡΟΦΟΡΙΕΣ ΓΙΑ ΜΕΛΛΟΝΤΙΚΗ ΧΡΗΣΗ.

ΑΣΦΑΛΕΙΑ ΟΣΩΝ ΔΕΝ ΓΝΩΡΙΖΟΥΝ ΚΟΛΥΜΒΗΣΗ

- ΑΝΑ ΠΑΣΑ ΣΤΙΓΜΗ ΑΠΑΙΤΕΙΤΑΙ ΣΥΝΕΧΗΣ, ΕΝΕΡΓΗ, ΚΑΙ ΑΓΡΥΠΝΗ ΕΠΙΒΛΕΨΗ ΤΩΝ ΑΔΥΝΑΜΩΝ ΚΟΛΥΜΒΗΤΩΝ ΚΑΙ ΤΩΝ ΜΗ ΚΟΛΥΜΒΗΤΩΝ ΑΠΟ ΑΡΜΟΔΙΟ ΕΝΗΛΙΚΑ (ΕΝΘΥΜΟΥΜΕΝΟΙ ΟΤΙ ΤΑ ΠΑΙΔΙΑ ΚΑΤΩ ΤΩΝ ΠΕΝΤΕ ΕΤΩΝ ΔΙΑΤΡΕΧΟΥΝ ΤΟΝ ΥΨΗΛΟΤΕΡΟ ΚΙΝΔΥΝΟ ΠΙΝΙΓΜΟΥ).
- ΟΡΙΖΕΤΕ ΕΝΑΝ ΑΡΜΟΔΙΟ ΕΝΗΛΙΚΑ ΝΑ ΕΠΙΒΛΕΠΕΙ ΤΗΝ ΠΙΣΙΝΑ ΚΑΘΕ ΦΟΡΑ ΠΟΥ ΕΙΝΑΙ ΣΕ ΧΡΗΣΗ.
- ΟΙ ΑΔΥΝΑΜΟΙ ΚΟΛΥΜΒΗΤΕΣ Η ΟΙ ΜΗ ΓΝΩΡΙΖΟΝΤΕΣ ΚΟΛΥΜΒΗΣΗ ΘΑ ΠΡΕΠΕΙ ΝΑ ΦΟΡΟΥΝ ΕΞΟΠΛΙΣΜΟ ΑΤΟΜΙΚΗΣ ΠΡΟΣΤΑΣΙΑΣ ΚΑΤΑ ΤΗ ΧΡΗΣΗ ΤΗΣ ΠΙΣΙΝΑΣ.
- ΟΤΑΝ Η ΠΙΣΙΝΑ ΔΕΝ ΕΙΝΑΙ ΣΕ ΧΡΗΣΗ, Η ΕΙΝΑΙ ΧΩΡΙΣ ΕΠΙΒΛΕΨΗ, ΑΦΑΙΡΕΣΤΕ ΟΛΑ ΤΑ ΠΑΙΧΝΙΔΙΑ ΑΠΟ ΤΗΝ ΠΙΣΙΝΑ ΚΑΙ ΤΟΝ ΠΕΡΙΒΑΛΛΟΝΤΑ ΧΩΡΟ ΩΣΤΕ ΝΑ ΑΠΟΤΡΕΠΕΤΑΙ Η ΠΡΟΣΕΛΚΥΣΗ ΠΑΙΔΙΩΝ ΣΤΗΝ ΠΙΣΙΝΑ.

ΣΥΣΚΕΥΕΣ ΑΣΦΑΛΕΙΑΣ

- ΠΡΟΚΕΙΜΕΝΟΥ ΝΑ ΑΠΟΤΡΑΠΕΙ Ο ΠΙΝΙΓΜΟΣ ΠΑΙΔΙΩΝ, ΣΥΝΙΣΤΑΤΑΙ ΝΑ ΑΣΦΑΛΙΣΤΕ ΤΗΝ ΠΡΟΣΒΑΣΗ ΣΤΗΝ ΠΙΣΙΝΑ ΜΕ ΜΙΑ ΠΡΟΣΤΑΤΕΥΤΙΚΗ ΣΥΣΚΕΥΗ. ΠΡΟΚΕΙΜΕΝΟΥ ΝΑ ΑΠΟΤΡΑΠΟΥΝ ΤΑ ΠΑΙΔΙΑ ΑΠΟ ΤΟ ΝΑ ΣΚΑΡΦΑΛΩΣΟΥΝ ΑΠΟ ΤΗ ΒΑΛΒΙΔΑ ΕΙΣΟΔΟΥ ΚΑΙ ΕΞΟΔΟΥ, ΣΥΝΙΣΤΑΤΑΙ ΝΑ ΕΓΚΑΤΑΣΤΑΘΕΙ ΕΝΑ ΕΜΠΟΔΙΟ (ΚΑΙ ΝΑ ΑΣΦΑΛΙΣΤΕ ΟΛΕΣ ΤΙΣ ΠΟΡΤΕΣ ΚΑΙ ΤΑ ΠΑΡΑΘΥΡΑ, ΟΠΟΥ ΕΦΑΡΜΟΖΕΤΑΙ) ΓΙΑ ΝΑ ΑΠΟΤΡΕΨΕΤΕ ΤΗ ΜΗ ΕΞΟΥΣΙΟΔΟΤΗΜΕΝΗ ΠΡΟΣΒΑΣΗ ΣΤΗΝ ΠΙΣΙΝΑ.
- ΕΜΠΟΔΙΑ, ΚΑΛΥΜΜΑΤΑ ΠΙΣΙΝΑΣ, ΣΥΝΑΓΕΡΜΟΙ ΠΙΣΙΝΑΣ, Η ΠΑΡΟΜΟΙΕΣ ΣΥΣΚΕΥΕΣ ΑΣΦΑΛΕΙΑΣ ΕΙΝΑΙ ΧΡΗΣΙΜΑ ΒΟΗΘΗΜΑΤΑ, ΑΛΛΑ ΔΕΝ ΥΠΟΚΑΘΙΣΤΟΥΝ ΤΗ ΣΥΝΕΧΗ ΚΑΙ ΑΡΜΟΔΙΑ ΕΠΙΒΛΕΨΗ ΑΠΟ ΕΝΗΛΙΚΑ.

ΕΞΟΠΛΙΣΜΟΣ ΑΣΦΑΛΕΙΑΣ

- ΣΥΝΙΣΤΑΤΑΙ Ο ΕΞΟΠΛΙΣΜΟΣ ΔΙΑΣΩΣΗΣ (Π.Χ. ΔΑΚΤΥΛΙΟΕΙΔΕΙΣ ΣΗΜΑΔΟΥΡΑ) ΝΑ ΦΥΛΑΣΣΕΤΑΙ ΔΙΠΛΑ ΣΤΗΝ ΠΙΣΙΝΑ.
- ΔΙΑΤΗΡΕΙΤΕ ΜΙΑ ΛΕΙΤΟΥΡΓΙΚΗ ΣΥΣΚΕΥΗ ΤΗΛΕΦΩΝΟΥ ΚΑΙ ΜΙΑ ΛΙΣΤΑ ΤΩΝ ΤΗΛΕΦΩΝΩΝ ΕΚΤΑΚΤΗΣ ΑΝΑΓΚΗΣ ΚΟΝΤΑ ΣΤΗΝ ΠΙΣΙΝΑ.

ΑΣΦΑΛΗΣ ΧΡΗΣΗ ΤΗΣ ΠΙΣΙΝΑΣ

- ΕΝΘΑΡΡΥΝΕΤΕ ΟΛΟΥΣ ΤΟΥΣ ΧΡΗΣΤΕΣ ΚΑΙ ΙΔΙΑΙΤΕΡΑ ΤΑ ΠΑΙΔΙΑ ΝΑ ΜΑΘΟΥΝ ΚΟΛΥΜΒΗΣΗ.
- ΜΑΘΕΤΕ ΒΑΣΙΚΗ ΥΠΟΣΤΗΡΙΞΗ ΖΩΗΣ (ΚΑΡΔΙΟΑΝΑΠΝΕΥΣΤΙΚΗ ΑΝΑΝΗΨΗ - CPR) ΚΑΙ ΑΝΑΝΕΩΝΕΤΕ ΑΥΤΕΣ ΤΙΣ ΓΝΩΣΕΙΣ ΤΑΚΤΙΚΑ. ΣΕ ΠΕΡΙΠΤΩΣΗ ΕΚΤΑΚΤΗΣ ΑΝΑΓΚΗΣ ΑΥΤΟ ΜΠΟΡΕΙ ΝΑ ΚΑΝΕΙ ΤΗ ΔΙΑΦΟΡΑ ΔΙΑΣΩΣΗΣ ΜΙΑΣ ΖΩΗΣ.
- ΔΩΣΤΕ ΟΔΗΓΙΕΣ ΣΕ ΟΛΟΥΣ ΤΟΥΣ ΧΡΗΣΤΕΣ ΤΗΣ ΠΙΣΙΝΑΣ, ΣΥΜΠΕΡΙΛΑΜΒΑΝΟΜΕΝΩΝ ΤΩΝ ΠΑΙΔΙΩΝ, ΓΙΑ ΤΟ ΤΙ ΝΑ ΚΑΝΟΥΝ ΣΕ ΠΕΡΙΠΤΩΣΗ ΕΚΤΑΚΤΗΣ ΑΝΑΓΚΗΣ.
- ΠΟΤΕ ΜΗΝ ΚΑΤΑΔΥΣΕΤΕ ΣΕ ΟΠΟΙΟΔΗΠΟΤΕ ΡΗΧΑ ΝΕΡΑ. ΑΥΤΟ ΜΠΟΡΕΙ ΝΑ ΠΡΟΚΑΛΕΣΕΙ ΣΟΒΑΡΟ ΤΡΑΥΜΑΤΙΣΜΟ Η ΘΑΝΑΤΟ.
- ΜΗΝ ΧΡΗΣΙΜΟΠΟΙΕΙΤΕ ΤΗΝ ΠΙΣΙΝΑ ΟΤΑΝ ΚΑΝΕΤΕ ΧΡΗΣΗ ΑΛΚΟΟΛ Η ΦΑΡΜΑΚΩΝ ΠΟΥ ΜΠΟΡΕΙ ΝΑ ΕΠΗΡΕΑΣΟΥΝ ΤΗΝ ΙΚΑΝΟΤΗΤΑ ΣΑΣ ΝΑ ΧΡΗΣΙΜΟΠΟΙΕΙΤΕ ΜΕ ΑΣΦΑΛΕΙΑ ΤΗΝ ΠΙΣΙΝΑ.
- ΟΤΑΝ ΧΡΗΣΙΜΟΠΟΙΟΥΝΤΑΙ ΚΑΛΥΜΜΑΤΑ ΠΙΣΙΝΑΣ, ΑΦΑΙΡΕΙΤΕ ΤΑ ΕΝΤΕΛΩΣ ΑΠΟ ΤΗΝ ΕΠΙΦΑΝΕΙΑ ΤΟΥ ΝΕΡΟΥ ΠΡΙΝ ΑΠΟ ΤΗΝ ΕΙΣΟΔΟ ΣΤΗΝ ΠΙΣΙΝΑ.
- ΠΡΟΣΤΑΤΕΥΤΕ ΤΟΥΣ ΧΡΗΣΤΕΣ ΤΗΣ ΠΙΣΙΝΑΣ ΑΠΟ ΑΣΘΕΝΕΙΕΣ ΠΟΥ ΣΧΕΤΙΖΟΝΤΑΙ ΜΕ ΤΟ ΝΕΡΟ, ΔΙΑΤΗΡΩΝΤΑΣ ΤΟ ΝΕΡΟ ΤΗΣ ΠΙΣΙΝΑΣ ΕΠΙΕΞΕΡΓΑΣΜΕΝΟ ΚΑΙ ΘΡΩΝΤΑΣ ΚΑΛΗ ΥΓΙΕΙΝΗ. ΣΥΜΒΟΥΛΕΥΤΕΙΤΕ ΤΙΣ ΚΑΤΕΥΘΥΝΤΗΡΙΕΣ ΟΔΗΓΙΕΣ ΕΠΕΞΕΡΓΑΣΙΑΣ ΤΟΥ ΝΕΡΟΥ ΣΤΟ ΕΓΧΕΙΡΙΔΙΟ ΧΡΗΣΗΣ.
- ΑΠΟΘΗΚΕΥΤΕ ΤΑ ΧΗΜΙΚΑ (Π.Χ. ΠΡΟΪΟΝΤΑ ΕΠΕΞΕΡΓΑΣΙΑΣ ΝΕΡΟΥ, ΚΑΘΑΡΙΣΜΟΥ Η ΑΠΟΛΥΜΑΝΣΗΣ) ΜΑΚΡΙΑ ΑΠΟ ΠΑΙΔΙΑ.
- ΧΡΗΣΙΜΟΠΟΙΗΣΤΕ ΤΗ ΣΗΜΑΝΣΗ ΟΠΩΣ ΠΕΡΙΓΡΑΦΕΤΑΙ ΠΑΡΑΚΑΤΩ. Η ΣΗΜΑΝΣΗ ΠΡΕΠΕΙ ΝΑ ΑΝΑΡΤΑΤΑΙ ΣΕ ΕΜΦΑΝΗ ΘΕΣΗ ΕΝΤΟΣ 2Μ ΑΠΟ ΤΗΝ ΠΙΣΙΝΑ.



- ΕΠΙΒΛΕΠΕΤΕ ΤΑ ΠΑΙΔΙΑ ΠΟΥ ΒΡΙΣΚΟΝΤΑΙ ΣΤΟ ΝΕΡΟ. ΑΠΑΓΟΡΕΥΟΝΤΑΙ ΟΙ ΒΟΥΤΙΕΣ.
- ΟΙ ΑΦΑΙΡΟΥΜΕΝΕΣ ΣΚΑΛΕΣ ΠΡΕΠΕΙ ΝΑ ΤΟΠΟΘΕΤΟΥΝΤΑΙ ΣΕ ΟΡΙΖΟΝΤΙΑ ΕΠΙΦΑΝΕΙΑ.
- ΑΝΕΞΑΡΤΗΤΑ ΤΩΝ ΥΛΙΚΩΝ ΠΟΥ ΧΡΗΣΙΜΟΠΟΙΟΥΝΤΑΙ ΓΙΑ ΤΗΝ ΚΑΤΑΣΚΕΥΗ ΤΗΣ ΠΙΣΙΝΑΣ, ΟΙ ΠΡΟΣΤΙΕΣ ΕΠΙΦΑΝΕΙΕΣ ΠΡΕΠΕΙ ΝΑ ΕΛΕΓΧΟΝΤΑΙ ΤΑΚΤΙΚΑ ΓΙΑ ΤΗΝ ΑΠΟΦΥΓΗ ΤΡΑΥΜΑΤΙΣΜΩΝ.
- ΕΠΙΘΕΩΡΕΙΤΕ ΤΑΚΤΙΚΑ ΤΑ ΜΦΟΥΛΟΝΙΑ ΚΑΙ ΒΙΔΕΣ, ΑΦΑΙΡΕΙΤΕ ΑΚΙΔΕΣ Η ΑΙΧΜΗΡΕΣ ΑΚΜΕΣ ΓΙΑ ΤΗΝ ΑΠΟΦΥΓΗ ΤΡΑΥΜΑΤΙΣΜΩΝ.
- **ΠΡΟΣΟΧΗ:** ΜΗΝ ΑΦΗΝΕΤΕ ΤΗΝ ΑΠΟΣΤΡΑΓΓΙΣΜΕΝΗ ΠΙΣΙΝΑ ΕΞΩ. Η ΑΔΕΙΑ ΠΙΣΙΝΑ ΕΙΝΑΙ ΠΙΘΑΝΟ ΝΑ ΠΑΡΑΜΟΡΦΩΘΕΙ ΚΑΙ/Η ΝΑ ΕΚΤΟΠΙΣΤΕΙ ΛΟΓΩ ΤΟΥ ΑΝΕΜΟΥ.
- ΕΑΝ ΔΙΑΘΕΤΕΤΕ ΜΙΑ ΑΝΤΛΙΑ ΦΙΛΤΡΟΥ, ΑΝΑΤΡΕΞΤΕ ΣΤΟ ΕΓΧΕΙΡΙΔΙΟ ΤΗΣ ΑΝΤΛΙΑΣ ΓΙΑ ΟΔΗΓΙΕΣ.

ΠΡΟΕΙΔΟΠΟΙΗΣΗ! Η ΑΝΤΛΙΑ ΔΕΝ ΜΠΟΡΕΙ ΝΑ ΧΡΗΣΙΜΟΠΟΙΗΘΕΙ, ΕΝΩ ΥΠΑΡΧΟΥΝ ΑΝΘΡΩΠΟΙ ΜΕΣΑ ΣΤΗΝ ΠΙΣΙΝΑ!

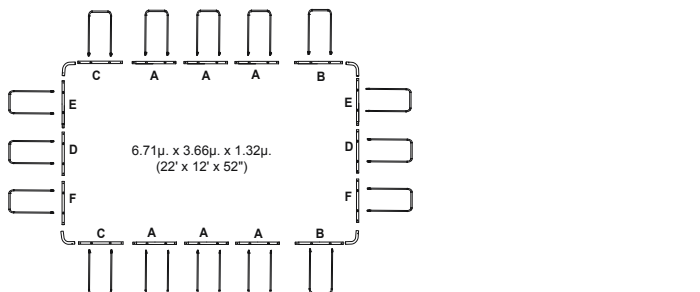
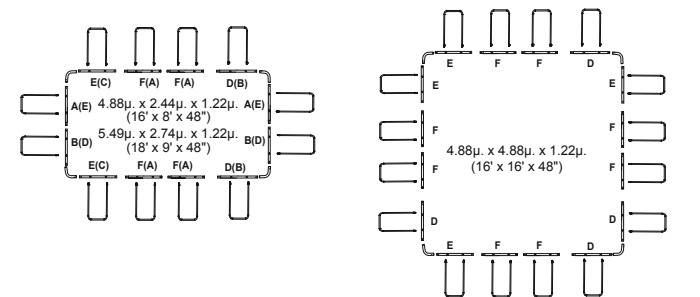
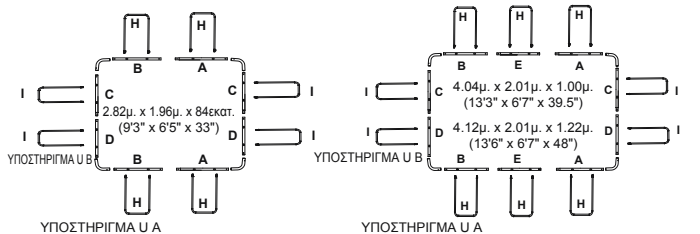
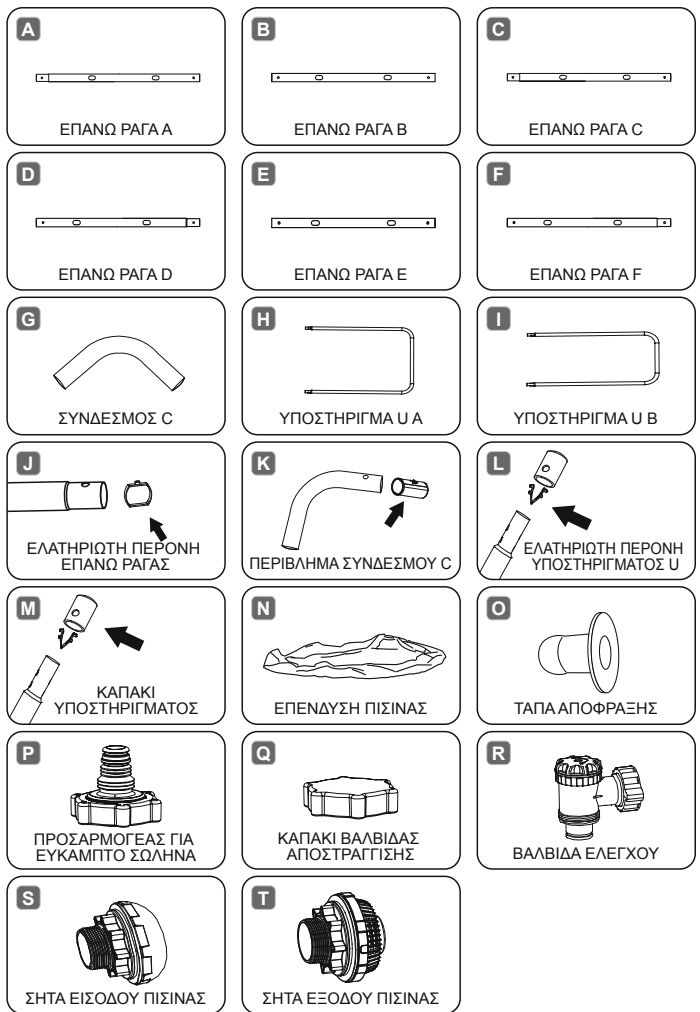
- ΕΑΝ ΔΙΑΘΕΤΕΤΕ ΜΙΑ ΣΚΑΛΑ, ΑΝΑΤΡΕΞΤΕ ΣΤΟ ΕΓΧΕΙΡΙΔΙΟ ΤΗΣ ΣΚΑΛΑΣ ΓΙΑ ΟΔΗΓΙΕΣ.
- **ΠΡΟΕΙΔΟΠΟΙΗΣΗ!** Η ΧΡΗΣΗ ΤΗΣ ΠΙΣΙΝΑΣ ΠΡΟΫΠΟΘΕΤΕΙ ΣΥΜΜΟΡΦΩΣΗ ΜΕ ΤΙΣ ΟΔΗΓΙΕΣ ΑΣΦΑΛΕΙΑΣ ΠΟΥ ΠΕΡΙΓΡΑΦΟΝΤΑΙ ΣΤΙΣ ΟΔΗΓΙΕΣ ΛΕΙΤΟΥΡΓΙΑΣ ΚΑΙ ΣΥΝΤΗΡΗΣΗΣ. ΓΙΑ ΤΗΝ ΠΡΟΛΗΨΗ ΠΙΝΙΓΜΟΥ ΚΑΙ ΑΛΛΩΝ ΣΟΒΑΡΩΝ ΤΡΑΥΜΑΤΙΣΜΩΝ, ΔΩΣΤΕ ΙΔΙΑΙΤΕΡΗ ΠΡΟΣΟΧΗ ΣΤΗΝ ΠΙΘΑΝΟΤΗΤΑ ΑΠΡΟΣΔΟΚΗΤΗΣ ΠΡΟΣΒΑΣΗΣ ΣΤΗΝ ΠΙΣΙΝΑ ΑΠΟ ΠΑΙΔΙΑ ΚΑΤΩ 5 ΕΤΩΝ ΑΣΦΑΛΙΖΟΝΤΑΣ ΤΗΝ ΠΡΟΣΒΑΣΗ ΣΕ ΑΥΤΗΝ, ΚΑΙ ΚΑΤΑ ΤΗ ΔΙΑΡΚΕΙΑ ΤΗΣ ΚΟΛΥΜΒΗΣΗΣ, ΔΙΑΤΗΡΗΣΤΕ ΤΑ ΥΠΟ ΤΗ ΣΥΝΕΧΗ ΕΠΙΤΗΡΗΣΗ ΕΝΗΛΙΚΑ.

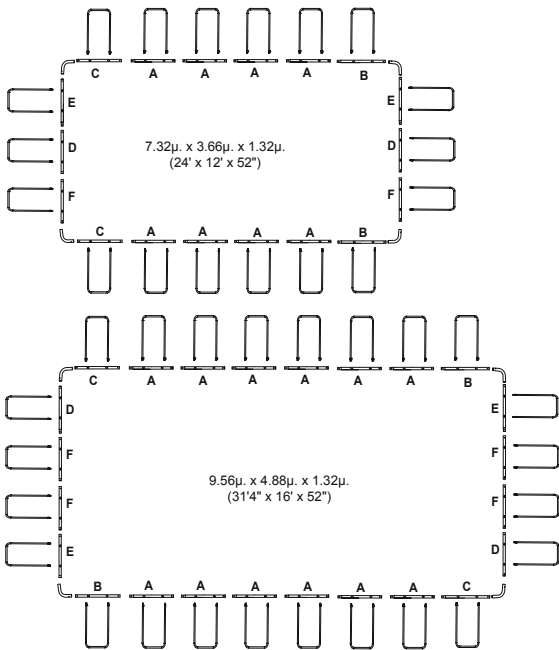
ΠΑΡΑΚΑΛΟΥΜΕ ΔΙΑΒΑΣΤΕ ΠΡΟΣΕΚΤΙΚΑ ΚΑΙ ΦΥΛΑΞΤΕ ΓΙΑ ΜΕΛΛΟΝΤΙΚΗ ΑΝΑΦΟΡΑ

Η ΕΓΚΑΤΑΣΤΑΣΗ ΣΥΝΗΘΩΣ ΑΠΑΙΤΕΙ ΠΕΡΙΠΟΥ 20-30 ΛΕΠΤΑ ΜΕ 2-3 ΑΤΟΜΑ ΕΞΑΙΡΩΝΤΑΣ ΤΙΣ ΧΩΜΑΤΟΥΡΓΙΚΕΣ ΕΡΓΑΣΙΕΣ ΚΑΙ ΤΗΝ ΠΛΗΡΩΣΗ. **ΒΛΕΠΕ ΠΑΡΑΚΑΤΩ ΓΙΑ ΠΕΡΙΓΡΑΦΕΣ ΤΩΝ ΜΕΡΩΝ.**

ΛΙΣΤΑ ΕΞΑΡΤΗΜΑΤΩΝ:

ΣΗΜΕΙΩΣΗ: ΟΡΙΣΜΕΝΑ ΕΞΑΡΤΗΜΑΤΑ ΕΧΟΥΝ ΔΗΗ ΕΓΚΑΤΑΣΤΑΘΕΙ ΣΤΗΝ ΠΙΣΙΝΑ.





ΣΗΜΕΙΩΣΗ: ΤΑ ΣΧΕΔΙΑ ΕΙΝΑΙ ΜΟΝΟ ΓΙΑ ΛΟΓΟΥΣ ΑΠΕΙΚΟΝΙΣΗΣ. ΜΠΟΡΕΙ ΝΑ ΜΗΝ ΑΝΤΑΠΟΚΡΙΝΟΝΤΑΙ ΣΤΟ ΠΡΑΓΜΑΤΙΚΟ ΠΡΟΪΟΝ. ΔΕΝ ΕΙΝΑΙ ΥΠΟ ΚΛΙΜΑΚΑ.

ΠΑΡΑΚΑΛΟΥΜΕ ΔΙΑΒΑΣΤΕ ΠΡΟΣΕΚΤΙΚΑ ΤΟ ΠΑΡΟΝ ΚΑΙ ΦΥΛΑΞΤΕ ΤΟ ΓΙΑ ΜΕΛΛΟΝΤΙΚΗ ΑΝΑΦΟΡΑ.

ΕΠΙΛΕΞΤΕ ΤΗ ΣΩΣΤΗ ΤΟΠΟΘΕΣΙΑ

ΣΗΜΕΙΩΣΗ: Η ΠΙΣΙΝΑ ΘΑ ΠΡΕΠΕΙ ΝΑ ΕΓΚΑΘΙΣΤΑΤΑΙ ΣΕ ΜΙΑ ΕΝΤΕΛΩΣ ΕΠΙΠΕΔΗ ΚΑΙ ΟΜΑΛΗ ΕΠΙΦΑΝΕΙΑ. ΜΗΝ ΕΓΚΑΘΙΣΤΑΤΕ ΤΗΝ ΠΙΣΙΝΑ ΑΝ Η ΕΠΙΦΑΝΕΙΑ ΕΙΝΑΙ ΕΠΙΚΛΙΝΗΣ Ή ΑΝΩΜΑΛΗ.

ΣΩΣΤΕΣ ΣΥΝΘΗΚΕΣ ΓΙΑ ΤΟ ΣΤΗΣΙΜΟ ΤΗΣ ΠΙΣΙΝΑΣ:

- Η ΕΠΙΛΕΓΜΕΝΗ ΤΟΠΟΘΕΣΙΑ ΠΡΕΠΕΙ ΝΑ ΕΙΝΑΙ ΣΕ ΘΕΣΗ ΝΑ ΥΠΟΣΤΗΡΙΞΕΙ ΟΜΟΙΟΜΟΡΦΑ ΤΟ ΒΑΡΟΣ ΓΙΑ ΟΛΟ ΤΟ ΧΡΟΝΟ ΠΟΥ ΘΑ ΕΙΝΑΙ ΕΓΚΑΤΕΣΤΗΜΕΝΗ Η ΠΙΣΙΝΑ. ΕΠΙΠΛΕΟΝ Η ΤΟΠΟΘΕΣΙΑ ΠΡΕΠΕΙ ΝΑ ΕΙΝΑΙ ΕΠΙΠΕΔΗ ΚΑΙ ΠΡΕΠΕΙ ΝΑ ΚΑΘΑΡΙΣΤΕΙ ΑΠΟ ΟΛΑ ΤΑ ΑΝΤΙΚΕΙΜΕΝΑ ΚΑΙ ΤΑ ΥΠΟΛΕΙΜΜΑΤΑ ΣΥΜΠΕΡΙΛΑΜΒΑΝΟΜΕΝΩΝ ΠΕΤΡΩΝ ΚΑΙ ΚΛΑΔΙΩΝ.
- ΣΥΝΙΣΤΟΥΜΕ ΤΗΝ ΤΟΠΟΘΕΤΗΣΗ ΤΗΣ ΠΙΣΙΝΑΣ ΜΑΚΡΙΑ ΑΠΟ ΟΠΟΙΑΔΗΠΟΤΕ ΑΝΤΙΚΕΙΜΕΝΑ ΠΟΥ ΘΑ ΜΠΟΡΟΥΣΑΝ ΝΑ ΧΡΗΣΙΜΟΠΟΙΗΘΟΥΝ ΑΠΟ ΠΑΙΔΙΑ ΓΙΑ ΝΑ ΣΚΑΡΦΑΛΩΣΟΥΝ ΜΕΣΑ ΣΤΗΝ ΠΙΣΙΝΑ.
- **ΣΗΜΕΙΩΣΗ:** ΤΟΠΟΘΕΤΗΣΤΕ ΤΗΝ ΠΙΣΙΝΑ ΚΟΝΤΑ ΣΕ ΕΝΑ ΚΑΤΑΛΛΗΛΟ ΣΥΣΤΗΜΑ ΑΠΟΧΕΤΕΥΣΗΣ ΓΙΑ ΤΟ ΧΕΙΡΙΣΜΟ ΤΩΝ ΥΠΕΡΧΕΙΛΙΣΕΩΝ Η ΤΗΝ ΕΚΚΕΝΩΣΗ ΤΗΣ ΠΙΣΙΝΑΣ.

ΔΑΝΘΑΣΜΕΝΕΣ ΣΥΝΘΗΚΕΣ ΓΙΑ ΤΟ ΣΤΗΣΙΜΟ ΤΗΣ ΠΙΣΙΝΑΣ:

- ΣΕ ΑΝΩΜΑΛΟ ΕΔΑΦΟΣ Η ΠΙΣΙΝΑ ΜΠΟΡΕΙ ΝΑ ΚΑΤΑΡΡΕΥΣΕΙ ΠΡΟΚΑΛΩΝΤΑΣ ΣΟΒΑΡΟ ΠΡΟΣΩΠΙΚΟ ΤΡΑΥΜΑΤΙΣΜΟ ΚΑΙ/Η ΖΗΜΙΑ ΣΕ ΠΡΟΣΩΠΙΚΗ ΠΕΡΙΟΥΣΙΑ ΑΚΥΡΩΝΟΝΤΑΣ ΤΗΝ ΕΓΥΝΗΝ ΚΑΙ ΕΜΠΟΔΙΖΟΝΤΑΣ ΤΙΣ ΟΠΟΙΕΣ ΑΞΙΩΣΕΙΣ ΑΠΟΖΗΜΙΩΣΗΣ.
 - ΔΕΝ ΠΡΕΠΕΙ ΝΑ ΧΡΗΣΙΜΟΠΟΙΕΙΤΑΙ ΑΜΜΟΣ ΓΙΑ ΤΗ ΔΗΜΙΟΥΡΓΙΑ ΜΙΑΣ ΕΠΙΠΕΔΗΣ ΒΑΣΗΣ, ΤΟ ΕΔΑΦΟΣ ΠΡΕΠΕΙ ΝΑ ΑΝΑΣΚΑΦΕΙ ΕΑΝ ΕΙΝΑΙ ΑΠΑΡΑΙΤΗΤΟ.
 - ΑΠΕΥΘΕΙΑΣ ΚΑΤΩ ΑΠΟ ΥΠΕΡΧΕΙΜΕΝΑ ΗΛΕΚΤΡΙΚΑ ΚΑΛΩΔΙΑ Η ΔΕΝΤΡΑ. ΒΕΒΑΙΩΘΕΙΤΕ ΟΤΙ Η ΤΟΠΟΘΕΣΙΑ ΔΕΝ ΠΕΡΙΛΑΜΒΑΝΕΙ ΥΠΟΓΕΙΟΥΣ ΣΩΛΗΝΕΣ, ΓΡΑΜΜΕΣ Η ΚΑΛΩΔΙΑ ΚΟΙΝΗΣ ΩΦΕΛΕΙΑΣ ΟΠΟΙΟΥΔΗΠΟΤΕ ΕΙΔΟΥΣ.
 - ΜΗΝ ΕΓΚΑΤΑΣΤΗΣΤΕ ΤΗΝ ΠΙΣΙΝΑ ΣΕ ΙΔΙΩΤΙΚΟΥΣ ΔΡΟΜΟΥΣ, ΞΥΛΙΝΑ ΔΑΠΕΔΑ, ΠΛΑΤΦΟΡΜΕΣ, ΕΠΙΦΑΝΕΙΕΣ ΑΠΟ ΧΑΛΙΚΗ Η ΑΣΦΑΛΤΟ. Η ΕΠΙΛΕΓΜΕΝΗ ΤΟΠΟΘΕΣΙΑ ΠΡΕΠΕΙ ΝΑ ΕΙΝΑΙ ΑΡΚΕΤΑ ΣΥΜΠΑΓΗΣ ΓΙΑ ΝΑ ΑΝΤΕΧΕΙ ΤΗΝ ΠΙΕΣΗ ΤΟΥ ΝΕΡΟΥ. ΛΑΣΠΗ, ΑΜΜΟΣ, ΜΑΛΑΚΟ/ΧΑΛΑΡΟ ΕΔΑΦΟΣ Η ΠΙΣΣΑ ΔΕΝ ΕΙΝΑΙ ΚΑΤΑΛΛΗΛΑ.
 - ΓΡΑΣΙΔΙ Η ΑΛΛΗ ΒΛΑΣΤΗΣΗ ΚΑΤΩ ΑΠΟ ΤΗΝ ΠΙΣΙΝΑ ΘΑ ΚΑΤΑΣΤΡΑΦΕΙ ΚΑΙ ΜΠΟΡΕΙ ΝΑ ΑΝΑΠΤΥΧΘΟΥΝ ΟΣΜΕΣ ΚΑΙ ΛΑΣΠΗ, ΣΥΝΕΠΩΣ ΠΡΟΤΕΙΝΟΥΜΕ ΝΑ ΑΦΑΙΡΕΘΕΙ ΟΛΟ ΤΟ ΓΡΑΣΙΔΙ ΑΠΟ ΤΗΝ ΕΠΙΛΕΓΜΕΝΗ ΘΕΣΗ ΓΙΑ ΤΗΝ ΠΙΣΙΝΑ.
 - ΑΠΟΦΥΓΕΤΕ ΠΕΡΙΟΧΕΣ ΕΠΙΡΡΕΠΕΙΣ ΣΤΗΝ ΑΝΑΠΤΥΞΗ ΣΚΛΗΡΩΝ ΕΙΔΩΝ ΒΛΑΣΤΗΣΗΣ ΚΑΙ ΖΙΖΑΝΙΩΝ ΠΟΥ ΜΠΟΡΕΙ ΝΑ ΤΡΥΠΗΣΟΥΝ ΤΟ ΥΦΑΣΜΑ ΕΔΑΦΟΥΣ Η ΤΗΝ ΕΠΕΝΔΥΣΗ.
- ΣΗΜΕΙΩΣΗ:** ΕΛΕΓΞΤΕ ΜΕ ΤΗΝ ΤΟΠΙΚΗ ΑΥΤΟΔΙΟΙΚΗΣΗ ΤΟΥΣ ΚΑΝΟΝΙΣΜΟΥΣ ΠΟΥ ΑΦΟΡΟΥΝ ΣΕ ΠΕΡΙΦΡΑΣΗ, ΦΡΑΓΜΟΥΣ, ΦΩΤΙΣΜΟ ΚΑΙ ΤΙΣ ΑΠΑΙΤΗΣΕΙΣ ΑΣΦΑΛΕΙΑΣ ΚΑΙ ΕΞΑΣΦΑΛΙΣΤΕ ΟΤΙ ΣΥΜΜΟΡΦΩΝΕΣΤΕ ΜΕ ΤΗ ΝΟΜΟΘΕΣΙΑ.
- ΣΗΜΕΙΩΣΗ:** ΕΑΝ ΔΙΑΘΕΤΕΤΕ ΜΙΑ ΑΝΤΛΙΑ ΦΙΛΤΡΟΥ, ΑΝΑΤΡΕΞΤΕ ΣΤΟ ΕΓΧΕΙΡΙΔΙΟ ΤΗΣ ΑΝΤΛΙΑΣ ΓΙΑ ΟΔΗΓΙΕΣ.
- ΣΗΜΕΙΩΣΗ:** Η ΣΚΑΛΑ ΠΡΕΠΕΙ ΝΑ ΤΑΙΡΙΑΖΕΙ ΣΤΟ ΜΕΓΕΘΟΣ ΤΗΣ ΠΙΣΙΝΑΣ ΚΑΙ ΘΑ ΠΡΕΠΕΙ ΝΑ ΧΡΗΣΙΜΟΠΟΙΕΙΤΑΙ ΜΟΝΟ ΓΙΑ ΤΗΝ ΕΙΣΟΔΟ ΚΑΙ ΤΗΝ ΕΞΟΔΟ ΑΠΟ ΤΗΝ ΠΙΣΙΝΑ. ΑΠΑΓΟΡΕΥΕΤΑΙ ΝΑ ΥΠΕΡΒΑΙΝΕΤΕ ΤΟ ΕΠΙΤΡΕΠΟΜΕΝΟ ΦΟΡΤΙΟ ΤΗΣ ΣΚΑΛΑΣ. ΕΛΕΓΧΤΕ ΤΑΚΤΙΚΑ ΕΑΝ Η ΣΚΑΛΑ ΕΙΝΑΙ ΣΩΣΤΑ ΣΥΝΑΡΜΟΛΟΓΗΜΕΝΗ.

ΕΓΚΑΤΑΣΤΑΣΗ

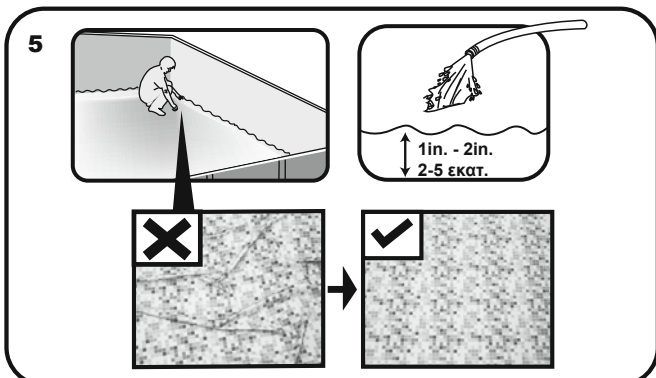
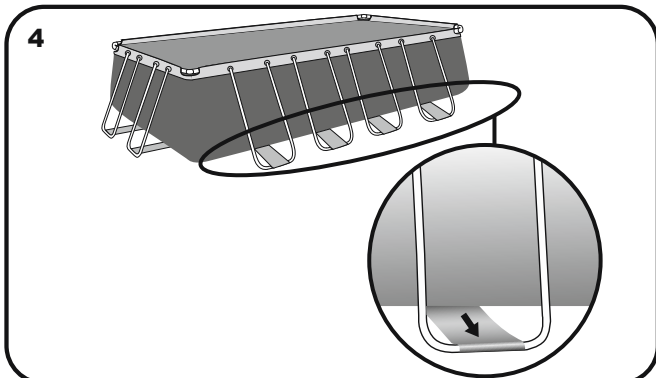
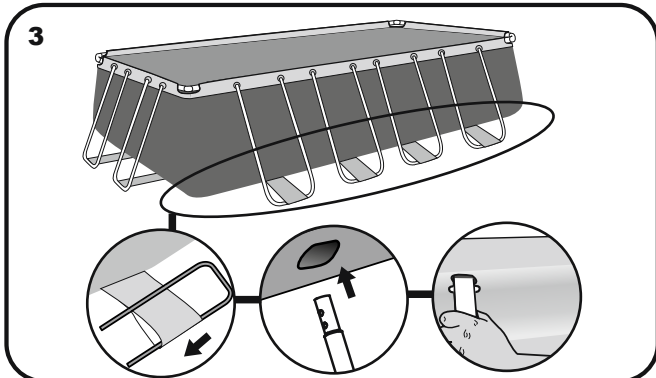
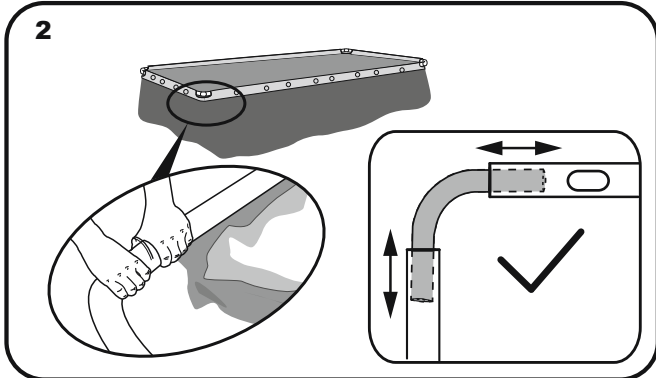
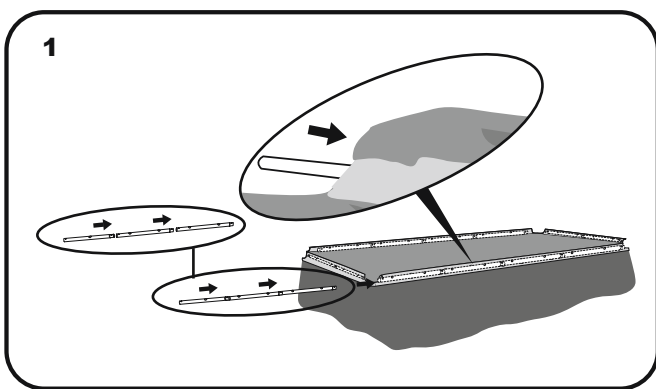
Η ΣΥΝΑΡΜΟΛΟΓΗΣΗ ΤΗΣ ΟΡΘΟΓΩΝΙΑΣ ΠΙΣΙΝΑΣ ΜΠΟΡΕΙ ΝΑ ΟΛΟΚΛΗΡΩΘΕΙ ΧΩΡΙΣ ΤΗ ΧΡΗΣΗ ΕΡΓΑΛΕΙΩΝ.

Η Bestway INFLATABLES ΔΕΝ ΘΑ ΕΥΘΥΝΕΤΑΙ ΓΙΑ ΒΛΑΒΗ ΣΤΗΝ ΠΙΣΙΝΑ ΛΟΓΩ ΚΑΚΟΥ ΧΕΙΡΙΣΜΟΥ Ή ΑΣΤΟΧΙΑΣ ΤΗΡΗΣΗΣ ΑΥΤΩΝ ΤΩΝ ΟΔΗΓΙΩΝ.

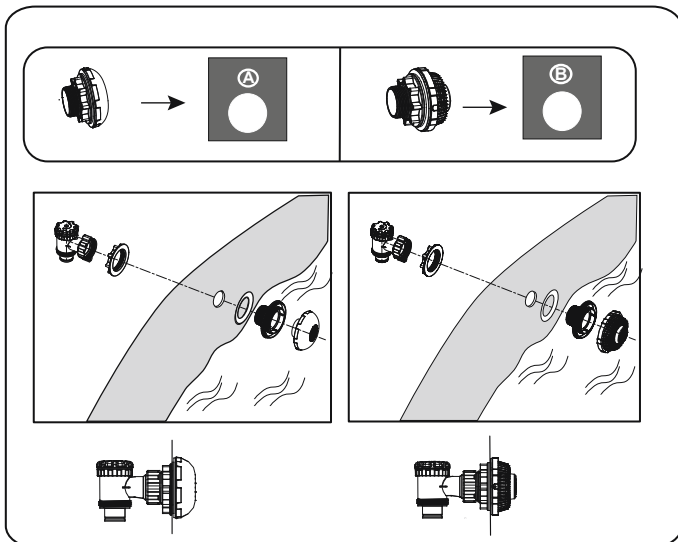
1. ΑΠΛΩΣΤΕ ΟΛΑ ΤΑ ΜΕΡΗ ΚΑΙ ΕΛΕΓΞΤΕ ΟΤΙ ΔΙΑΘΕΤΕΤΕ ΤΙΣ ΣΩΣΤΕΣ ΠΟΣΟΤΗΤΕΣ ΟΠΩΣ ΑΝΑΓΡΑΦΟΝΤΑΙ ΣΤΗ ΛΙΣΤΑ ΕΞΑΡΤΗΜΑΤΩΝ. ΕΑΝ ΣΑΣ ΛΕΙΠΕΙ ΚΑΠΟΙΟ ΕΞΑΡΤΗΜΑ ΜΗ ΣΥΝΑΡΜΟΛΟΓΗΣΤΕ ΤΗΝ ΠΙΣΙΝΑ, ΕΠΙΚΟΙΝΩΝΗΣΤΕ ΜΕ ΤΗΝ ΕΞΥΠΗΡΕΤΗΣΗ ΠΕΛΑΤΩΝ ΤΗΣ Bestway.
2. ΕΚΠΤΥΞΤΕ ΤΗΝ ΠΙΣΙΝΑ ΚΑΙ ΦΡΟΝΤΙΣΤΕ Η ΠΙΣΙΝΑ ΝΑ ΕΙΝΑΙ ΜΕ ΤΗ ΣΩΣΤΗ ΠΛΕΥΡΑ ΠΡΟΣ ΤΑ ΠΑΝΩ. ΑΦΗΣΤΕ ΤΗΝ ΕΚΤΕΘΕΙΜΕΝΗ ΣΤΟ ΑΜΕΣΟ ΗΛΙΑΚΟ ΦΩΣ ΓΙΑ 1 ΩΡΑ Ή ΠΕΡΙΣΣΟΤΕΡΟ ΕΤΣΙ ΟΣΤΕ Η ΠΙΣΙΝΑ ΝΑ ΕΙΝΑΙ ΠΙΟ ΕΥΚΑΜΠΤΗ ΚΑΤΑ ΤΗΝ ΕΓΚΑΤΑΣΤΑΣΗ.
3. ΤΟΠΟΘΕΤΗΣΤΕ ΤΗΝ ΠΙΣΙΝΑ ΚΟΝΤΑ ΣΕ ΕΝΑ ΚΑΤΑΛΛΗΛΟ ΣΥΣΤΗΜΑ ΑΠΟΧΕΤΕΥΣΗΣ ΓΙΑ ΝΑ ΧΕΙΡΙΖΕΤΑΙ ΤΟ ΝΕΡΟ ΠΟΥ ΥΠΕΡΧΕΙΛΙΖΕΙ ΚΑΙ ΕΞΑΣΦΑΛΙΣΤΕ ΟΤΙ Η ΕΙΣΟΔΟΣ Α ΚΑΙ Η ΕΞΟΔΟΣ Β ΤΗΣ ΠΙΣΙΝΑΣ ΕΙΝΑΙ ΣΩΣΤΑ ΤΟΠΟΘΕΤΗΜΕΝΕΣ ΓΙΑ ΝΑ ΕΠΙΤΡΕΠΟΥΝ ΣΤΗΝ ΑΝΤΛΙΑ ΦΙΛΤΡΟΥ ΝΑ ΣΥΝΔΕΘΕΙ ΣΕ ΜΙΑ ΠΙΓΗ ΤΡΟΦΟΔΟΣΙΑΣ.

ΣΗΜΕΙΩΣΗ: ΜΗΝ ΧΡΗΣΙΜΟΠΟΙΕΙΤΕ ΕΠΕΚΤΑΣΕΙΣ ΚΑΛΩΔΙΩΝ ΤΡΟΦΟΔΟΣΙΑΣ ΓΙΑ ΤΗΝ ΑΝΤΛΙΑ.

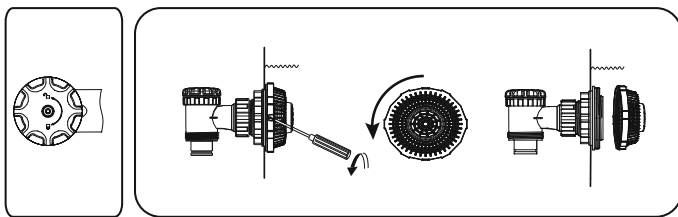
ΠΡΟΣΟΧΗ: ΜΗΝ ΣΕΡΝΕΤΕ ΤΗΝ ΠΙΣΙΝΑ ΣΤΟ ΕΔΑΦΟΣ, ΑΥΤΟ ΜΠΟΡΕΙ ΝΑ ΠΡΟΚΑΛΕΣΕΙ ΒΛΑΒΗ ΣΤΗΝ ΠΙΣΙΝΑ.



ΣΥΝΑΡΜΟΛΟΓΗΣΗ ΒΑΛΒΙΔΑΣ ΣΥΝΔΕΣΗΣ
ΓΙΑ ΠΙΣΙΝΑ ΜΕ ΒΑΛΒΙΔΑ ΣΥΝΔΕΣΗΣ.



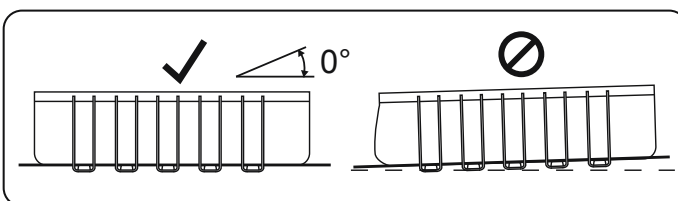
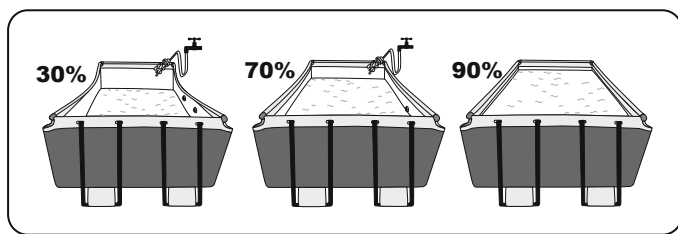
ΣΗΜΕΙΩΣΗ: ΕΑΝ ΕΠΙΘΥΜΕΙΤΕ ΝΑ ΣΥΝΔΕΣΕΤΕ ΑΛΛΑ ΚΙΤ ΚΑΘΑΡΙΣΜΟΥ ΠΙΣΙΝΑΣ ΣΤΗΝ ΠΙΣΙΝΑ ΜΕΣΩ ΤΗΣ ΒΑΛΒΙΔΑΣ ΣΥΝΔΕΣΗΣ, ΧΡΗΣΙΜΟΠΟΙΗΣΤΕ ΕΝΑ ΣΤΑΥΡΟΚΑΤΣΑΒΙΔΟ ΓΙΑ ΝΑ ΑΠΟΣΥΝΑΡΜΟΛΟΓΗΣΕΤΕ ΤΗ ΣΤΗΤΑ ΥΠΟΛΕΙΜΜΑΤΩΝ ΑΠΟ ΤΟ ΣΥΝΔΕΣΜΟ.



ΓΕΜΙΣΜΑ ΤΗΣ ΠΙΣΙΝΑΣ ΜΕ ΝΕΡΟ

ΠΡΟΣΟΧΗ: ΜΗΝ ΑΦΗΝΕΤΕ ΤΗΝ ΠΙΣΙΝΑ ΧΩΡΙΣ ΕΠΙΒΛΕΨΗ ΚΑΤΑ ΤΟ ΓΕΜΙΣΜΑ ΜΕ ΝΕΡΟ.

- ΓΕΜΙΣΤΕ ΤΗΝ ΠΙΣΙΝΑ ΕΩΣ ΟΤΟΥ Η ΧΩΡΗΤΙΚΟΤΗΤΑ ΣΕ ΝΕΡΟ ΦΤΑΣΕΙ ΤΟ 90%. ΜΗΝ ΥΠΕΡΓΕΜΙΖΕΤΕ ΓΙΑΤΙ ΑΥΤΟ ΜΠΟΡΕΙ ΝΑ ΠΡΟΚΑΛΕΣΕΙ ΚΑΤΑΡΡΕΥΣΗ ΤΗΣ ΠΙΣΙΝΑΣ. ΣΕ ΠΕΡΙΠΤΩΣΗ ΒΑΡΙΑΣ ΒΡΟΧΟΠΤΩΣΗΣ ΜΠΟΡΕΙ ΝΑ ΧΡΕΙΑΣΤΕΙ ΝΑ ΑΔΕΙΑΣΕΤΕ ΛΙΓΟ ΝΕΡΟ ΓΙΑ ΝΑ ΒΕΒΑΙΩΘΕΙΤΕ ΟΤΙ ΤΟ ΕΠΙΠΕΔΟ ΕΙΝΑΙ ΣΩΣΤΟ.
- ΟΤΑΝ ΟΛΟΚΛΗΡΩΘΕΙ Η ΠΛΗΡΩΣΗ ΤΗΣ ΠΙΣΙΝΑΣ, ΕΛΕΓΞΤΕ ΟΤΙ ΤΟ ΝΕΡΟ ΔΕ ΜΑΖΕΥΕΤΑΙ ΣΕ ΟΠΟΙΟΔΗΠΟΤΕ ΠΛΕΥΡΑ ΓΙΑ ΝΑ ΒΕΒΑΙΩΘΕΙΤΕ ΟΤΙ Η ΠΙΣΙΝΑ ΕΙΝΑΙ ΕΠΙΠΕΔΗ.
ΣΗΜΑΝΤΙΚΟ: ΑΝ Η ΠΙΣΙΝΑ ΔΕΝ ΕΙΝΑΙ ΕΠΙΠΕΔΗ, ΠΑΡΟΧΕΤΕΥΣΤΕ ΤΟ ΝΕΡΟ ΚΑΙ ΕΠΑΝΙΣΤΩΣΤΕ ΤΟ ΕΔΑΦΟΣ ΜΕ ΕΚΣΚΑΦΗ. ΜΗΝ ΕΠΙΧΕΙΡΗΣΕΤΕ ΝΑ ΜΕΤΑΚΙΝΗΣΕΤΕ ΤΗΝ ΠΙΣΙΝΑ ΜΕ ΝΕΡΟ ΜΕΣΑ ΣΕ ΑΥΤΗΝ. ΜΠΟΡΕΙ ΝΑ ΠΡΟΚΛΗΘΕΙ ΣΟΒΑΡΟΣ ΑΤΟΜΙΚΟΣ ΤΡΑΥΜΑΤΙΣΜΟΣ Ή ΚΑΙ ΒΛΑΒΗ ΣΤΗΝ ΠΙΣΙΝΑ.
ΠΡΟΕΙΔΟΠΟΙΗΣΗ: Η ΠΙΣΙΝΑ ΣΑΣ ΜΠΟΡΕΙ ΝΑ ΠΕΡΙΚΛΕΙΕΙ ΜΕΓΑΛΗ ΠΙΕΣΗ. ΕΑΝ Η ΠΙΣΙΝΑ ΣΑΣ ΠΑΡΟΥΣΙΑΣΕΙ ΟΠΟΙΟΔΗΠΟΤΕ ΕΞΟΓΚΩΜΑ Η ΑΝΟΜΟΙΟΜΟΡΦΗ ΠΛΕΥΡΑ, ΤΟΤΕ Η ΠΙΣΙΝΑ ΔΕΝ ΕΙΝΑΙ ΟΡΙΖΟΝΤΙΑ. ΟΙ ΠΛΕΥΡΕΣ ΜΠΟΡΕΙ ΝΑ ΣΠΑΣΟΥΝ ΚΑΙ ΤΟ ΝΕΡΟ ΝΑ ΕΚΤΟΝΩΘΕΙ ΖΑΦΝΙΚΑ ΠΡΟΚΑΛΩΝΤΑΣ ΣΟΒΑΡΟ ΤΡΑΥΜΑΤΙΣΜΟ ΚΑΙ/Η ΥΛΙΚΕΣ ΖΗΜΙΕΣ.
- ΕΛΕΓΞΤΕ ΤΗΝ ΠΙΣΙΝΑ ΓΙΑ ΤΥΧΟΝ ΔΙΑΡΡΟΕΣ ΣΕ ΒΑΛΒΙΔΕΣ Η ΑΡΜΟΥΣ. ΕΛΕΓΞΤΕ ΤΟ ΚΑΛΥΜΜΑ ΕΠΙΣΤΡΩΣΗΣ ΠΙΣΙΝΑΣ ΓΙΑ ΤΥΧΟΝ ΕΜΦΑΝΗ ΑΠΩΛΕΙΑ ΝΕΡΟΥ. ΜΗΝ ΠΡΟΣΘΕΤΕΤΕ ΧΗΜΙΚΑ ΕΩΣ ΟΤΟΥ ΓΙΝΕΙ ΑΥΤΟ.
ΣΗΜΕΙΩΣΗ: ΣΕ ΠΕΡΙΠΤΩΣΗ ΔΙΑΡΡΟΗΣ, ΕΠΙΔΙΟΡΘΩΣΤΕ ΤΗΝ ΠΙΣΙΝΑ ΧΡΗΣΙΜΟΠΟΙΩΝΤΑΣ ΤΟ ΥΠΟΒΡΥΧΙΟ ΑΥΤΟΚΟΛΛΗΤΟ ΕΠΙΡΑΜΜΑ ΕΠΙΣΚΕΥΗΣ ΠΟΥ ΠΑΡΕΧΕΤΑΙ. ΑΝΑΤΡΕΞΤΕ ΣΤΙΣ ΣΥΧΝΕΣ ΕΡΩΤΗΣΕΙΣ ΓΙΑ ΠΕΡΑΙΤΕΡΩ ΠΛΗΡΟΦΟΡΙΕΣ.



ΣΥΝΤΗΡΗΣΗ ΠΙΣΙΝΑΣ

ΠΡΟΕΙΔΟΠΟΙΗΣΗ: ΕΑΝ ΔΕΝ ΣΥΜΜΟΡΦΩΘΕΙΤΕ ΜΕ ΤΙΣ ΟΔΗΓΙΕΣ ΣΥΝΤΗΡΗΣΗΣ ΠΟΥ ΚΑΛΥΠΤΕΙ ΤΟ ΠΑΡΟΝ, Η ΥΓΕΙΑ ΣΑΣ ΜΠΟΡΕΙ ΝΑ ΕΙΝΑΙ ΣΕ ΚΙΝΔΥΝΟ, ΙΔΙΑΙΤΕΡΑ ΕΚΕΙΝΗ ΤΩΝ ΠΑΙΔΙΩΝ. Η ΕΠΕΞΕΡΓΑΣΙΑ ΤΟΥ ΝΕΡΟΥ ΤΗΣ ΠΙΣΙΝΑΣ ΕΙΝΑΙ ΑΠΑΡΑΙΤΗΤΗ ΓΙΑ ΤΗΝ ΑΣΦΑΛΕΙΑ ΤΩΝ ΧΡΗΣΤΩΝ. Η ΑΚΑΤΑΛΛΗΛΗ ΧΡΗΣΗ ΧΗΜΙΚΩΝ ΟΥΣΙΩΝ ΘΑ ΠΡΟΚΑΛΕΣΕΙ ΥΛΙΚΕΣ ΖΗΜΙΕΣ ΚΑΙ ΣΩΜΑΤΙΚΕΣ ΒΛΑΒΕΣ.

ΣΗΜΕΙΩΣΗ: Η ΑΝΤΛΙΑ ΧΡΗΣΙΜΟΠΟΙΕΙΤΑΙ ΓΙΑ ΤΗΝ ΚΥΚΛΟΦΟΡΙΑ ΤΟΥ ΝΕΡΟΥ ΚΑΙ ΤΟ ΦΙΛΤΡΑΡΙΣΜΑ ΤΩΝ ΜΙΚΡΩΝ ΣΩΜΑΤΙΔΙΩΝ. ΠΡΟΚΕΙΜΕΝΟΥ ΝΑ ΔΙΑΤΗΡΗΣΕΤΕ ΤΟ ΝΕΡΟ ΤΗΣ ΠΙΣΙΝΑΣ ΚΑΘΑΡΟ ΚΑΙ ΥΓΙΕΙΝΟ, ΠΡΕΠΕΙ ΝΑ ΠΡΟΣΘΕΣΕΤΕ ΚΑΙ ΧΗΜΙΚΕΣ ΟΥΣΙΕΣ.

- ΣΥΝΙΣΤΑΤΑΙ ΝΑ ΜΗΝ ΓΕΜΙΖΕΙ Η ΠΙΣΙΝΑ ΜΕ ΝΕΡΟ ΑΠΟ ΛΕΚΑΝΗ ΑΠΟΡΡΟΗΣ, ΓΕΩΤΡΗΣΗ, Η ΦΡΕΑΤΑ ΑΠΟΣΤΡΑΓΓΙΣΗΣ: ΑΥΤΑ ΤΑ ΝΕΡΑ ΓΕΝΙΚΑ ΠΕΡΙΕΧΟΥΝ ΜΟΛΥΣΜΕΝΕΣ ΟΡΓΑΝΙΚΕΣ ΟΥΣΙΕΣ, ΣΥΜΠΕΡΙΛΑΜΒΑΝΟΜΕΝΩΝ ΝΙΤΡΙΚΩΝ ΚΑΙ ΦΩΣΦΟΡΙΚΩΝ ΑΛΑΤΩΝ. ΣΥΝΙΣΤΑΤΑΙ Η ΠΛΗΡΩΣΗ ΤΩΝ ΠΙΣΙΝΩΝ ΜΕ ΝΕΡΟ ΑΠΟ ΤΟ ΔΗΜΟΣΙΟ ΔΙΚΤΥΟ.
- ΠΑΝΤΟΤΕ ΔΙΑΤΗΡΕΙΤΕ ΤΗΝ ΠΙΣΙΝΑ ΣΑΣ ΚΑΘΑΡΗ ΚΑΙ ΕΦΑΡΜΟΖΕΤΕ ΤΑ ΣΩΣΤΑ ΧΗΜΙΚΑ ΓΙΑ ΠΙΣΙΝΕΣ. ΤΟ ΑΚΑΤΑΛΛΗΛΟ ΝΕΡΟ ΕΙΝΑΙ ΕΝΑΣ ΣΟΒΑΡΟΣ ΚΙΝΔΥΝΟΣ ΓΙΑ ΤΗΝ ΥΓΕΙΑ. ΣΥΝΙΣΤΑΤΑΙ ΝΑ ΧΡΗΣΙΜΟΠΟΙΕΙΤΕ ΑΠΟΛΥΜΑΝΤΙΚΟ, ΚΡΟΚΙΔΩΤΙΚΟ, ΟΞΙΝΑ Η ΑΛΚΑΛΙΚΑ ΧΗΜΙΚΑ ΓΙΑ ΤΗ ΕΠΕΞΕΡΓΑΣΙΑ ΤΗΣ ΠΙΣΙΝΑΣ ΣΑΣ.
- ΚΑΘΑΡΙΖΕΤΕ ΤΑΚΤΙΚΑ ΤΗΝ ΕΠΕΝΔΥΣΗ PVC ΜΕ ΜΑΛΑΚΕΣ ΒΟΥΡΤΣΕΣ Η ΜΕ ΜΙΑ ΣΚΟΥΠΙΑ ΠΙΣΙΝΑΣ.
- ΓΙΑ ΟΛΟΚΛΗΡΗ ΤΗ ΣΕΖΟΝ, ΤΟ ΣΥΣΤΗΜΑ ΦΙΛΤΡΑΡΙΣΜΑΤΟΣ ΤΟΥ ΝΕΡΟΥ ΘΑ ΠΡΕΠΕΙ ΝΑ ΛΕΙΤΟΥΡΓΕΙ ΓΙΑ ΑΡΚΕΤΟ ΧΡΟΝΟ ΚΑΘΕ ΗΜΕΡΑ ΩΣΤΕ ΝΑ ΚΑΘΑΡΙΖΕΙ ΤΟ ΣΥΝΟΛΙΚΟ ΟΓΚΟ ΝΕΡΟΥ ΤΗΣ ΠΙΣΙΝΑΣ.
- ΕΛΕΓΞΤΕ ΤΑΚΤΙΚΑ ΤΟ ΣΤΟΙΧΕΙΟ ΦΙΛΤΡΟΥ (Η ΤΗΝ ΑΜΜΟ ΣΕ ΕΝΑ ΦΙΛΤΡΟ ΑΜΜΟΥ) ΚΑΙ ΑΝΤΙΚΑΘΙΣΤΑΤΕ ΤΑ ΒΡΩΜΙΚΑ ΣΤΟΙΧΕΙΑ (Η ΤΗΝ ΑΜΜΟ).
- ΕΛΕΓΞΤΕ ΤΑΚΤΙΚΑ ΤΙΣ ΒΙΔΕΣ, ΤΑ ΜΠΟΥΛΟΝΙΑ ΚΑΙ ΟΛΑ ΤΑ ΜΕΤΑΛΛΙΚΑ ΕΞΑΡΤΗΜΑΤΑ ΓΙΑ ΣΚΟΥΡΙΑ. ΑΝΤΙΚΑΤΑΣΤΗΣΤΕ ΤΑ ΕΑΝ ΧΡΕΙΑΖΕΤΑΙ.
- ΕΑΝ ΒΡΕΞΕΙ, ΒΕΒΑΙΩΘΕΙΤΕ ΟΤΙ Η ΣΤΑΘΜΗ ΤΟΥ ΝΕΡΟΥ ΔΕΝ ΕΙΝΑΙ ΥΨΗΛΟΤΕΡΗ ΑΠΟ ΤΗΝ ΚΑΘΟΡΙΣΜΕΝΗ ΣΤΑΘΜΗ. ΕΑΝ ΤΟ ΝΕΡΟ ΥΠΕΡΒΕΙ ΤΙΣ ΚΑΘΟΡΙΣΜΕΝΕΣ ΣΤΑΘΜΕΣ, ΑΠΟΣΤΡΑΓΓΙΣΤΕ ΤΗΝ ΠΙΣΙΝΑ ΜΕΧΡΙ ΤΗΝ ΚΑΘΟΡΙΣΜΕΝΗ ΣΤΑΘΜΗ.
- ΜΗ ΧΡΗΣΙΜΟΠΟΙΕΙΤΕ ΤΗΝ ΑΝΤΛΙΑ ΟΤΑΝ Η ΠΙΣΙΝΑ ΕΙΝΑΙ ΣΕ ΧΡΗΣΗ.
- ΚΑΛΥΠΤΕΤΕ ΤΗΝ ΠΙΣΙΝΑ ΟΤΑΝ ΔΕΝ ΕΙΝΑΙ ΣΕ ΧΡΗΣΗ.
- ΓΙΑ ΤΗΝ ΕΠΕΞΕΡΓΑΣΙΑ ΤΟΥ ΝΕΡΟΥ ΤΗΣ ΠΙΣΙΝΑΣ, Η ΤΙΜΗ ΤΟΥ PH ΕΙΝΑΙ ΠΟΛΥ ΣΗΜΑΝΤΙΚΗ.

ΠΡΟΣΟΧΗ: ΜΗΝ ΑΦΗΝΕΤΕ ΤΗΝ ΑΠΟΣΤΡΑΓΓΙΣΜΕΝΗ ΠΙΣΙΝΑ ΕΞΩ. ΟΙ ΠΑΡΑΚΑΤΩ ΠΑΡΑΜΕΤΡΟΙ ΕΞΑΣΦΑΛΙΖΟΥΝ ΚΑΛΗΣ ΠΟΙΟΤΗΤΑΣ ΝΕΡΟ

ΠΑΡΑΜΕΤΡΟΙ	ΤΙΜΕΣ
ΔΙΑΥΓΕΙΑ ΝΕΡΟΥ	ΞΕΚΑΘΑΡΗ ΘΕΑ ΤΟΥ ΠΥΘΜΕΝΑ ΤΗΣ ΠΙΣΙΝΑΣ
ΧΡΩΜΑ ΝΕΡΟΥ	ΔΕΝ ΠΡΕΠΕΙ ΝΑ ΠΑΡΑΤΗΡΕΙΤΑΙ ΟΠΟΙΟΔΗΠΟΤΕ ΧΡΩΜΑ
ΘΟΛΟΤΗΤΑ ΣΕ FNU/NTU	ΜΕΓ. 1,5 (ΚΑΤΑ ΠΡΟΤΙΜΗΣΗ ΜΙΚΡΟΤΕΡΗ ΑΠΟ 0,5)
ΣΥΓΚΕΝΤΡΩΣΗ ΝΙΤΡΙΚΩΝ ΠΑΝΩ ΑΠΟ ΕΚΕΙΝΗ ΤΟΥ ΝΕΡΟΥ ΠΛΗΡΩΣΗΣ ΣΕ MG/L	ΜΕΓ. 20
ΟΛΙΚΟΣ ΟΡΓΑΝΙΚΟΣ ΑΝΘΡΑΚΑΣ (ΤΟC) ΣΕ MG/L	ΜΕΓ. 4,0
ΔΥΝΑΜΙΚΟ ΟΞΕΙΔΩΝΑΓΩΓΗΣ ΕΝΑΝΤΙ AG/AGCl 3,5 M KCl ΣΕ MV	ΕΛΑΧ. 650
ΤΙΜΗ PH	6,8 ΕΩΣ 7,6
ΕΛΕΥΘΕΡΟ ΕΝΕΡΓΟ ΧΛΩΡΙΟ (ΧΩΡΙΣ ΚΥΑΝΟΥΡΙΚΟ ΟΞΥ) ΣΕ MG/L	0,3 ΕΩΣ 1,5
ΕΛΕΥΘΕΡΟ ΧΛΩΡΙΟ ΠΟΥ ΧΡΗΣΙΜΟΠΟΙΕΙΤΑΙ ΣΕ ΣΥΝΔΥΑΣΜΟ ΜΕ ΚΥΑΝΟΥΡΙΚΟ ΟΞΥ ΣΕ MG/L	1,0 ΕΩΣ 3,0
ΚΥΑΝΟΥΡΙΚΟ ΟΞΥ ΣΕ MG/L	ΜΕΓ. 100
ΣΥΝΔΥΑΣΜΕΝΟ ΧΛΩΡΙΟ ΣΕ MG/L	ΜΕΓ. 0,5 (ΚΑΤΑ ΠΡΟΤΙΜΗΣΗ ΛΙΓΟΤΕΡΟ ΑΠΟ 0,0 MG/L)

ΠΡΟΣΟΧΗ: ΜΗ ΧΡΗΣΙΜΟΠΟΙΕΙΤΕ ΤΗΝ ΑΝΤΛΙΑ ΟΤΑΝ Η ΠΙΣΙΝΑ ΕΙΝΑΙ ΣΕ ΧΡΗΣΗ. ΚΑΤΑ ΤΗ ΔΙΑΡΚΕΙΑ ΤΗΣ ΠΕΡΙΟΔΟΥ ΧΡΗΣΗΣ ΤΗΣ ΠΙΣΙΝΑΣ, ΤΟ ΣΥΣΤΗΜΑ ΦΙΛΤΡΑΡΙΣΜΑΤΟΣ ΘΑ ΠΡΕΠΕΙ ΑΝΑΓΚΑΣΤΙΚΑ ΝΑ ΤΙΘΕΤΑΙ ΣΕ ΛΕΙΤΟΥΡΓΙΑ ΚΑΘΕ ΜΕΡΑ, ΑΡΚΕΤΑ ΓΙΑ ΕΝΑ ΜΕΓΑΛΟ ΧΡΟΝΙΚΟ ΔΙΑΣΤΗΜΑ ΩΣΤΕ ΝΑ ΕΞΑΣΦΑΛΙΣΤΕΙ ΤΟΥΛΑΧΙΣΤΟΝ ΜΙΑ ΠΛΗΡΗ ΑΝΑΝΕΩΣΗ ΤΟΥ ΟΓΚΟΥ ΤΟΥ ΝΕΡΟΥ.

ΕΠΙΣΚΕΥΗ

ΕΛΕΓΞΤΕ ΤΗΝ ΠΙΣΙΝΑ ΓΙΑ ΟΠΟΙΕΣΔΗΠΟΤΕ ΔΙΑΡΡΟΕΣ ΑΠΟ ΒΑΛΒΙΔΕΣ Η ΡΑΦΕΣ, ΕΛΕΓΞΤΕ ΤΟ ΨΑΞΙΜΟ ΕΔΑΦΟΥΣ ΓΙΑ ΟΠΟΙΟΔΗΠΟΤΕ ΕΜΦΑΝΗ ΑΠΩΛΕΙΑ ΝΕΡΟΥ. ΜΗΝ ΠΡΟΣΘΕΣΕΤΕ ΧΗΜΙΚΑ ΠΡΙΝ ΓΙΝΕΙ ΑΥΤΟ.

ΣΗΜΕΙΩΣΗ: ΣΕ ΠΕΡΙΠΤΩΣΗ ΔΙΑΡΡΟΗΣ, ΕΠΙΔΙΟΡΘΩΣΤΕ ΤΗΝ ΠΙΣΙΝΑ ΧΡΗΣΙΜΟΠΟΙΩΝΤΑΣ ΤΟ ΥΠΟΒΡΥΧΙΟ ΑΥΤΟΚΟΛΛΗΤΟ ΕΠΙΡΑΜΜΑ ΕΠΙΣΚΕΥΗΣ ΠΟΥ ΠΑΡΕΧΕΤΑΙ. ΑΝΑΤΡΕΞΤΕ ΣΤΙΣ ΣΥΧΝΕΣ ΕΡΩΤΗΣΕΙΣ ΓΙΑ ΠΕΡΑΙΤΕΡΩ ΠΛΗΡΟΦΟΡΙΕΣ.

ΑΠΟΣΥΝΑΡΜΟΛΟΓΗΣΗ

- ΞΕΒΙΩΣΤΕ ΑΡΙΣΤΕΡΟΣΤΡΟΦΑ ΤΟ ΚΑΠΑΚΙ ΤΗΣ ΒΑΛΒΙΔΑΣ ΑΠΟΣΤΡΑΓΓΙΣΗΣ ΚΑΙ ΑΦΑΙΡΕΣΤΕ ΤΟ.
- ΣΥΝΔΕΣΤΕ ΤΟΝ ΠΡΟΣΑΡΜΟΓΕΑ ΣΤΟΝ ΕΥΚΑΜΠΤΟ ΣΩΛΗΝΑ ΚΑΙ ΤΟΠΟΘΕΤΗΣΤΕ ΤΟ ΑΛΛΟ ΑΚΡΟ ΤΟΥ ΕΥΚΑΜΠΤΟΥ ΣΩΛΗΝΑ ΣΤΗΝ ΠΕΡΙΟΧΗ ΟΠΟΥ ΠΡΟΚΕΙΤΑΙ ΝΑ ΑΠΟΣΤΡΑΓΓΙΣΤΕ ΤΗΝ ΠΙΣΙΝΑ. (ΕΛΕΓΞΤΕ ΤΟΥΣ ΤΟΠΙΚΟΥΣ ΚΑΝΟΝΙΣΜΟΥΣ ΓΙΑ ΤΟΥΣ ΚΑΝΟΝΙΣΜΟΥΣ ΑΠΟΣΤΡΑΓΓΙΣΗΣ).
- ΒΙΩΣΤΕ ΔΕΞΙΟΣΤΡΟΦΑ ΤΟ ΔΑΚΤΥΛΙΟ ΕΛΕΓΧΟΥ ΤΟΥ ΠΡΟΣΑΡΜΟΓΕΑ ΓΙΑ ΕΥΚΑΜΠΤΟΥ ΣΩΛΗΝΕΣ ΠΑΝΩ ΣΤΗ ΒΑΛΒΙΔΑ ΑΠΟΣΤΡΑΓΓΙΣΗΣ. Η ΒΑΛΒΙΔΑ ΑΠΟΣΤΡΑΓΓΙΣΗΣ ΘΑ ΑΝΟΙΞΕΙ ΚΑΙ ΤΟ ΝΕΡΟ ΘΑ ΑΡΧΙΣΕΙ ΝΑ ΑΠΟΣΤΡΑΓΓΙΖΕΤΑΙ ΑΥΤΟΜΑΤΑ.
ΠΡΟΣΟΧΗ: Η ΡΟΗ ΤΟΥ ΝΕΡΟΥ ΜΠΟΡΕΙ ΝΑ ΕΛΕΓΧΘΕΙ ΜΕ ΤΟ ΔΑΚΤΥΛΙΟ ΕΛΕΓΧΟΥ.
- ΟΤΑΝ ΟΛΟΚΛΗΡΩΘΕΙ Η ΑΠΟΣΤΡΑΓΓΙΣΗ, ΞΕΒΙΩΣΤΕ ΤΟ ΔΑΚΤΥΛΙΟ ΕΛΕΓΧΟΥ ΓΙΑ ΝΑ ΚΛΕΙΣΤΕΙ ΤΗ ΒΑΛΒΙΔΑ.
- ΑΠΟΣΥΝΔΕΣΤΕ ΤΟΝ ΕΥΚΑΜΠΤΟ ΣΩΛΗΝΑ.
- ΒΙΩΣΤΕ ΞΑΝΑ ΤΟ ΚΑΠΑΚΙ ΣΤΗ ΒΑΛΒΙΔΑ ΑΠΟΣΤΡΑΓΓΙΣΗΣ.
- ΣΤΕΓΝΩΣΤΕ ΤΗΝ ΠΙΣΙΝΑ ΣΤΟΝ ΑΕΡΑ.
ΠΡΟΣΟΧΗ: ΜΗΝ ΑΦΗΝΕΤΕ ΤΗΝ ΑΠΟΣΤΡΑΓΓΙΣΜΕΝΗ ΠΙΣΙΝΑ ΕΞΩ.

ΑΠΟΘΗΚΕΥΣΗ ΚΑΙ ΠΡΟΕΤΟΙΜΑΣΙΑ ΓΙΑ ΤΟ ΧΕΙΜΩΝΑ

- ΠΑΡΑΚΑΛΟΥΜΕ ΑΦΑΙΡΕΣΤΕ ΟΛΑ ΤΑ ΕΞΑΡΤΗΜΑΤΑ ΚΑΙ ΑΝΤΑΛΛΑΚΤΙΚΑ ΑΠΟ ΤΗΝ ΠΙΣΙΝΑ ΚΑΙ ΑΠΟΘΗΚΕΥΣΤΕ ΤΑ ΚΑΘΑΡΑ ΚΑΙ ΣΤΕΓΝΑ.
- ΜΟΛΙΣ Η ΠΙΣΙΝΑ ΣΤΕΓΝΩΣΕΙ ΕΝΤΕΛΩΣ, ΠΑΣΠΑΛΙΝΕΤΕ ΤΗΝ ΜΕ ΤΑΛΚ ΓΙΑ ΝΑ ΕΜΠΟΔΙΣΕΤΕ ΤΗΝ ΠΙΣΙΝΑ ΝΑ ΚΟΛΗΝΗΣΕΙ, ΔΙΠΛΩΣΤΕ ΠΡΟΣΕΚΤΙΚΑ ΤΗΝ ΠΙΣΙΝΑ. ΕΑΝ Η ΠΙΣΙΝΑ ΔΕΝ ΕΙΝΑΙ ΕΝΤΕΛΩΣ ΣΤΕΓΝΗ, ΜΠΟΡΕΙ ΝΑ ΕΜΦΑΝΙΣΤΕΙ ΜΟΥΧΛΑ Η ΟΠΟΙΑ ΘΑ ΚΑΤΑΣΤΡΕΨΕΙ ΤΗΝ ΕΠΕΝΔΥΣΗ ΤΗΣ ΠΙΣΙΝΑΣ.
- ΑΠΟΘΗΚΕΥΣΤΕ ΤΗΝ ΕΠΕΝΔΥΣΗ ΚΑΙ ΤΑ ΑΞΕΣΟΥΑΡ ΣΕ ΣΤΕΓΝΟ ΧΩΡΟ ΜΕ ΜΙΑ ΜΕΤΡΙΑ ΘΕΡΜΟΚΡΑΣΙΑ ΜΕΤΑΞΥ 5°C ΚΑΙ 38°C.
- ΚΑΤΑ ΤΗ ΒΡΟΧΕΡΗ ΠΕΡΙΟΔΟ, Η ΠΙΣΙΝΑ ΚΑΙ ΤΑ ΕΞΑΡΤΗΜΑΤΑ ΘΑ ΠΡΕΠΕΙ ΕΠΙΣΗΣ ΝΑ ΑΠΟΘΗΚΕΥΟΝΤΑΙ ΣΥΜΦΩΝΑ ΜΕ ΤΙΣ ΠΑΡΑΠΛΩΝ ΟΔΗΓΙΕΣ.
- Η ΛΑΝΘΑΣΜΕΝΗ ΑΠΟΣΤΡΑΓΓΙΣΗ ΤΗΣ ΠΙΣΙΝΑΣ ΜΠΟΡΕΙ ΝΑ ΠΡΟΚΑΛΕΣΕΙ ΣΟΒΑΡΟ ΠΡΟΣΩΠΙΚΟ ΤΡΑΥΜΑΤΙΣΜΟ ΚΑΙ/Η ΖΗΜΙΑ ΣΕ ΠΡΟΣΩΠΙΚΗ ΠΕΡΙΟΥΣΙΑ.
- ΣΑΣ ΣΥΝΙΣΤΟΥΜΕ Η ΠΙΣΙΝΑ ΝΑ ΑΠΟΣΥΝΑΡΜΟΛΟΓΕΙΤΑΙ ΚΑΤΑ ΤΗ ΔΙΑΡΚΕΙΑ ΤΗΣ ΕΚΤΟΣ ΧΡΗΣΗΣ ΠΕΡΙΟΔΟΥ (ΧΕΙΜΕΡΙΝΟΙ ΜΗΝΕΣ). ΑΠΟΘΗΚΕΥΣΤΕ ΣΕ ΞΗΡΟ ΧΩΡΟ ΜΑΚΡΙΑ ΑΠΟ ΠΑΙΔΙΑ.

ΠΕΡΙΟΡΙΣΜΕΝΗ ΕΓΓΥΗΣΗ ΚΑΤΑΣΚΕΥΑΣΤΗ BESTWAY®

ΤΟ ΠΡΟΪΟΝ ΠΟΥ ΑΓΟΡΑΣΑΤΕ ΠΑΡΕΧΕΤΑΙ ΜΕ ΜΙΑ ΠΕΡΙΟΡΙΣΜΕΝΗ ΕΓΓΥΗΣΗ. Η BESTWAY® ΥΠΟΣΤΗΡΙΖΕΙ ΤΗΝ ΕΓΓΥΗΣΗ ΠΟΙΟΤΗΤΑΣ ΜΑΣ ΚΑΙ ΔΙΑΒΕΒΑΙΩΝΕΙ, ΜΕΣΩ ΜΙΑΣ ΕΓΓΥΗΣΗΣ ΑΝΤΙΚΑΤΑΣΤΑΣΗΣ, ΟΤΙ ΤΟ ΠΡΟΪΟΝ ΣΑΣ ΘΑ ΕΙΝΑΙ ΑΠΑΛΛΑΓΜΕΝΟ ΑΠΟ ΕΛΑΤΤΩΜΑΤΑ ΤΟΥ ΚΑΤΑΣΚΕΥΑΣΤΗ.

Η ΠΑΡΑΚΑΤΩ ΔΙΑΤΑΞΗ ΙΣΧΥΕΙ ΜΟΝΟ ΕΝΤΟΣ ΤΩΝ ΚΡΑΤΩΝ ΜΕΛΩΝ ΤΗΣ ΕΥΡΩΠΑΪΚΗΣ ΈΝΩΣΗΣ. Ο ΝΟΜΙΚΟΣ ΚΑΝΟΝΙΣΜΟΣ ΤΗΣ ΟΔΗΓΙΑΣ 1999/44/ΕΚ ΔΕΝ ΘΑ ΕΠΗΡΕΑΣΤΕΙ ΑΠΟ ΑΥΤΗΝ ΤΗΝ ΠΕΡΙΟΡΙΣΜΕΝΗ ΕΓΓΥΗΣΗ BESTWAY.

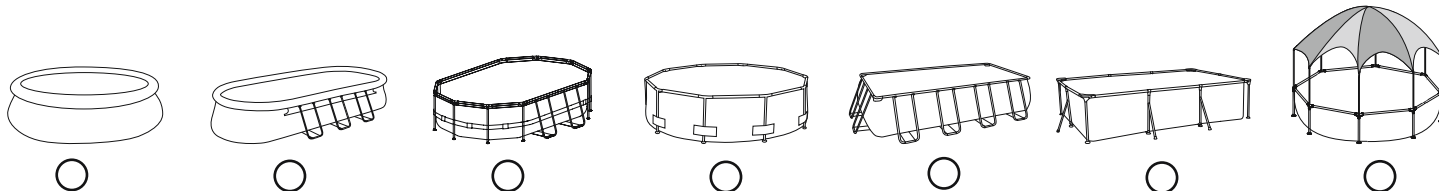
ΓΙΑ ΝΑ ΚΙΝΗΘΕΙ ΜΙΑ ΑΞΙΩΣΗ ΕΓΓΥΗΣΗΣ, ΠΡΕΠΕΙ ΝΑ ΣΥΜΠΛΗΡΩΘΕΙ ΑΥΤΟ ΤΟ ΕΝΤΥΠΟ ΚΑΙ ΝΑ ΥΠΟΒΛΗΘΕΙ ΣΥΝΟΔΕΥΟΜΕΝΟ ΑΠΟ ΕΝΑ ΑΝΤΙΓΡΑΦΟ ΤΗΣ ΑΠΟΔΕΙΞΗΣ/ΤΙΜΟΛΟΓΙΟΥ ΑΓΟΡΑΣ ΣΑΣ ΣΤΟ ΤΟΠΙΚΟ ΚΕΝΤΡΟ ΣΕΡΒΙΣ ΜΕΤΑ ΤΗΝ ΠΩΛΗΣΗ ΤΗΣ BESTWAY. ΠΡΙΝ ΜΠΟΡΕΣΟΥΝ ΝΑ ΓΙΝΟΥΝ ΑΠΟΔΕΚΤΕΣ ΟΠΟΙΕΣΔΗΠΟΤΕ ΑΞΙΩΣΕΙΣ, ΤΟ ΚΕΝΤΡΟ ΣΕΡΒΙΣ ΜΕΤΑ ΤΗΝ ΠΩΛΗΣΗ ΤΗΣ BESTWAY ΜΠΟΡΕΙ ΝΑ ΣΑΣ ΖΗΤΗΣΕΙ ΝΑ ΣΤΕΙΛΕΤΕ ΕΝΑ ΚΟΜΜΑΤΙ ΤΟΥ ΕΛΑΤΤΩΜΑΤΙΚΟΥ ΕΞΑΡΤΗΜΑΤΟΣ ΣΤΟ ΚΕΝΤΡΟ (Π.Χ. ΕΝΑ ΑΠΟΚΟΜΜΑ ΑΠΟ ΤΟ ΑΡΙΘΜΟ ΠΑΡΤΙΔΑΣ ΠΑΡΑΓΩΓΗΣ / ΒΑΛΒΙΔΑ ΑΠΟΣΤΡΑΓΓΙΣΗΣ). ΠΑΡΑΚΑΛΟΥΜΕ ΕΠΙΚΟΙΝΩΝΗΣΤΕ ΜΕ ΤΟ ΤΟΠΙΚΟ ΚΕΝΤΡΟ ΣΕΡΒΙΣ ΜΕΤΑ ΤΗΝ ΠΩΛΗΣΗ ΤΗΣ BESTWAY ΠΡΙΝ ΑΠΟ ΤΗΝ ΑΠΟΣΤΟΛΗ ΟΠΟΙΩΝΔΗΠΟΤΕ ΕΓΓΡΑΦΩΝ. ΘΑ ΣΑΣ ΠΑΡΑΣΧΟΥΝ ΠΛΗΡΕΙΣ ΟΔΗΓΙΕΣ ΓΙΑ ΤΟ ΤΙ ΧΡΕΙΑΖΕΤΑΙ ΓΙΑ ΤΗΝ ΑΞΙΩΣΗ ΣΑΣ.

Η BESTWAY® ΔΕΝ ΕΥΘΥΝΕΤΑΙ ΓΙΑ ΟΙΚΟΝΟΜΙΚΗ ΑΠΩΛΕΙΑ ΛΟΓΩ ΤΟΥ ΚΟΣΤΟΥΣ ΤΟΥ ΝΕΡΟΥ Η ΤΩΝ ΧΗΜΙΚΩΝ. Η BESTWAY® ΔΕΝ ΘΑ ΑΝΤΙΚΑΤΑΣΤΗΣΕΙ ΟΠΟΙΟΔΗΠΟΤΕ ΠΡΟΪΟΝΤΑ ΘΕΩΡΗΣΕΙ ΟΤΙ ΕΧΟΥΝ ΚΑΤΑΣΤΡΑΦΕΙ ΛΟΓΩ ΑΜΕΛΕΙΑΣ Η ΛΟΓΩ ΤΟΥ ΟΤΙ ΕΧΟΥΝ ΧΡΗΣΙΜΟΠΟΙΗΘΕΙ ΕΚΤΟΣ ΤΩΝ ΚΑΤΕΥΘΥΝΤΗΡΙΩΝ ΟΔΗΓΙΩΝ ΣΤΟ ΕΓΧΕΙΡΙΔΙΟ ΙΔΙΟΚΤΗΤΗ.

Η ΕΓΓΥΗΣΗ ΤΗΣ BESTWAY ΚΑΛΥΠΤΕΙ ΕΛΑΤΤΩΜΑΤΑ ΚΑΤΑΣΚΕΥΗΣ ΠΟΥ ΑΝΑΚΑΛΥΦΘΗΚΑΝ ΚΑΤΑ ΤΗΝ ΑΠΟΣΥΣΚΕΥΑΣΙΑ ΤΟΥ ΠΡΟΪΟΝΤΟΣ Η ΚΑΤΑ ΤΗ ΧΡΗΣΗ, ΕΝΤΟΣ ΤΩΝ ΟΡΙΩΝ ΜΙΑΣ ΧΡΗΣΗΣ ΚΑΙ ΣΕΒΑΣΜΟΥ ΤΩΝ ΠΡΟΕΙΔΟΠΟΙΗΣΕΩΝ ΚΑΙ ΤΩΝ ΟΔΗΓΙΩΝ ΠΟΥ ΔΙΝΟΝΤΑΙ ΣΤΟ ΕΓΧΕΙΡΙΔΙΟ ΧΡΗΣΗΣ. Η ΕΓΓΥΗΣΗ ΑΥΤΗ ΙΣΧΥΕΙ ΜΟΝΟ ΓΙΑ ΠΡΟΪΟΝΤΑ ΠΟΥ ΔΕΝ ΠΡΕΠΕΙ ΝΑ ΕΧΟΥΝ ΤΡΟΠΟΠΟΙΗΘΕΙ ΑΠΟ ΟΠΟΙΟΝΔΗΠΟΤΕ ΤΡΙΤΟ. ΤΟ ΠΡΟΪΟΝ ΠΡΕΠΕΙ ΝΑ ΑΠΟΘΗΚΕΥΤΕΙ ΚΑΙ ΝΑ ΥΠΟΣΤΕΙ ΧΕΙΡΙΣΜΟ ΣΥΜΦΩΝΑ ΜΕ ΤΙΣ ΤΕΧΝΙΚΕΣ ΣΥΣΤΑΣΕΙΣ.

Η ΠΕΡΙΟΡΙΣΜΕΝΗ ΕΓΓΥΗΣΗ ΙΣΧΥΕΙ ΓΙΑ ΤΗΝ ΠΕΡΙΟΔΟ ΠΟΥ ΑΝΑΦΕΡΕΤΑΙ ΠΑΡΑΠΑΝΩ. Η ΗΜΕΡΟΜΗΝΙΑ ΕΝΑΡΞΗΣ ΤΗΣ ΕΓΓΥΗΣΗΣ ΕΙΝΑΙ Η ΗΜΕΡΟΜΗΝΙΑ ΠΩΛΗΣΗΣ ΠΟΥ ΕΜΦΑΝΙΖΕΤΑΙ ΣΤΗΝ ΠΡΩΤΟΤΥΠΗ ΑΠΟΔΕΙΞΗ/ΤΙΜΟΛΟΓΙΟ ΑΓΟΡΑΣ.

ΠΑΡΑΚΑΛΟΥΜΕ ΕΠΙΛΕΞΤΕ ΤΟΝ ΤΥΠΟ ΤΗΣ ΠΙΣΙΝΑΣ ΣΑΣ:



ΗΜΕΡΟΜΗΝΙΑ ΑΓΟΡΑΣ: _____ ΚΩΔΙΚΟΣ ΑΡΙΘΜΟΣ ΠΕΛΑΤΗ: _____

ΠΡΟΣ: ΤΜΗΜΑ ΣΕΡΒΙΣ BESTWAY® ΗΜΕΡΟΜΗΝΙΑ: _____

ΦΑΞ/Ε-MAIL/ΤΗΛ: ΠΑΡΑΚΑΛΟΥΜΕ ΑΝΑΦΕΡΘΕΙΤΕ ΣΤΗ ΧΩΡΑ ΣΑΣ, ΣΥΜΦΩΝΑ ΜΕ ΤΙΣ ΠΛΗΡΟΦΟΡΙΕΣ ΠΟΥ ΘΑ ΒΡΕΙΤΕ ΣΤΟ ΠΙΣΩ ΕΞΟΦΥΛΛΟ Η ΣΤΗΝ ΙΣΤΟΣΕΛΙΔΑ ΜΑΣ: www.bestwaycorp.com

ΠΑΡΑΚΑΛΩ ΠΑΡΑΣΧΕΤΕ ΤΑ ΠΛΗΡΗ ΣΤΟΙΧΕΙΑ ΤΗΣ ΔΙΕΥΘΥΝΣΗΣ ΣΑΣ. ΣΗΜΕΙΩΣΗ: ΕΛΛΙΠΗ ΣΤΟΙΧΕΙΑ ΔΙΕΥΘΥΝΣΗΣ ΘΑ ΕΧΟΥΝ ΩΣ ΑΠΟΤΕΛΕΣΜΑ ΚΑΘΥΣΤΕΡΗΣΕΙΣ ΣΤΙΣ ΑΠΟΣΤΟΛΕΣ. Η BESTWAY ΔΙΑΤΗΡΕΙ ΤΟ ΔΙΚΑΙΩΜΑ ΧΡΕΩΣΗΣ ΓΙΑ ΤΗΝ ΕΚ ΝΕΟΥ ΠΑΡΑΔΟΣΗ ΤΩΝ ΜΗ ΠΑΡΑΔΟΘΕΝΤΩΝ ΔΕΜΑΤΩΝ ΛΟΓΩ ΥΠΑΙΤΙΟΤΗΤΑΣ ΤΟΥ ΠΑΡΑΛΗΠΤΗ.

ΑΠΑΙΤΟΥΜΕΝΕΣ ΠΛΗΡΟΦΟΡΙΕΣ - ΠΑΡΑΚΑΛΟΥΜΕ ΓΡΑΨΤΕ ΤΗ ΔΙΕΥΘΥΝΣΗ ΠΑΡΑΔΟΣΗΣ

ΟΝΟΜΑ: _____ ΔΙΕΥΘΥΝΣΗ: _____

ΤΑΧ. ΚΩΔΙΚΟΣ: _____ ΚΑΤΑΣΤΗΜΑ ΠΩΛΗΣΗΣ: _____

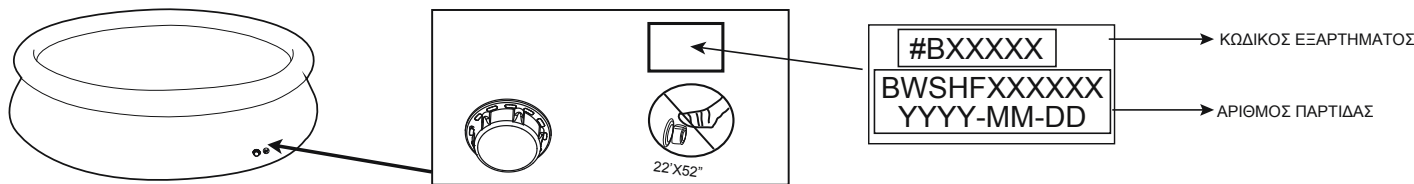
ΧΩΡΑ: _____ ΠΟΛΗ: _____

ΚΙΝΗΤΟ: _____ ΤΗΛΕΦΩΝΟ: _____

ΦΑΞ: _____ E-MAIL: _____

ΠΑΡΑΚΑΛΟΥΜΕ ΓΡΑΨΤΕ ΤΟΝ ΑΡΙΘΜΟ ΤΗΣ ΠΑΡΤΙΔΑΣ ΚΑΙ ΤΟΝ ΚΩΔΙΚΟ ΕΞΑΡΤΗΜΑΤΟΣ ΠΟΥ ΒΡΙΣΚΕΤΑΙ ΚΟΝΤΑ ΣΤΗ ΒΑΛΒΙΔΑ ΑΠΟΣΤΡΑΓΓΙΣΗΣ

ΑΡΙΘΜΟΣ ΠΑΡΤΙΔΑΣ: _____ ΚΩΔΙΚΟΣ ΕΞΑΡΤΗΜΑΤΟΣ: _____



ΠΕΡΙΓΡΑΦΗ ΠΡΟΒΛΗΜΑΤΟΣ

- ΣΚΙΣΙΜΟ ΣΤΟΙΧΕΙΟΥ / ΔΙΑΡΡΟΗ ΕΛΑΤΤΩΜΑΤΙΚΗ ΣΥΓΚΟΛΛΗΣΗ ΕΛΑΤΤΩΜΑΤΙΚΟΣ ΕΠΙΑΝΩ ΔΑΚΤΥΛΙΟΣ ΕΛΑΤΤΩΜΑΤΙΚΗ ΒΑΛΒΙΔΑ ΑΠΟΣΤΡΑΓΓΙΣΗΣ
- ΆΛΛΟ (ΠΑΡΑΚΑΛΟΥΜΕ ΠΕΡΙΓΡΑΨΤΕ) ΛΕΙΠΕΙ ΕΞΑΡΤΗΜΑ (ΠΑΡΑΚΑΛΟΥΜΕ ΧΡΗΣΙΜΟΠΟΙΗΣΤΕ ΤΟΝ ΚΩΔΙΚΟ ΓΙΑ ΤΟ ΕΞΑΡΤΗΜΑ ΠΟΥ ΛΕΙΠΕΙ. ΑΥΤΟΝ ΜΠΟΡΕΙΤΕ ΝΑ ΤΟΝ ΒΡΕΙΤΕ ΣΤΟ ΕΓΧΕΙΡΙΔΙΟ ΧΡΗΣΤΗ.)

ΣΗΜΑΝΤΙΚΟ: ΘΑ ΑΝΤΙΚΑΤΑΣΤΑΘΕΙ ΜΟΝΟ ΤΟ ΚΑΤΕΣΤΡΑΜΜΕΝΟ ΕΞΑΡΤΗΜΑ, ΟΧΙ ΤΟ ΠΛΗΡΕΣ ΣΕΤ

Η BESTWAY ΔΙΑΤΗΡΕΙ ΤΟ ΔΙΚΑΙΩΜΑ ΝΑ ΖΗΤΗΣΕΙ ΦΩΤΟΓΡΑΦΙΚΑ ΑΠΟΔΕΙΚΤΙΚΑ ΣΤΟΙΧΕΙΑ ΤΩΝ ΕΛΑΤΤΩΜΑΤΙΚΩΝ ΕΞΑΡΤΗΜΑΤΩΝ, Η ΝΑ ΑΠΑΙΤΗΣΕΙ ΤΗΝ ΑΠΟΣΤΟΛΗ ΤΟΥ ΕΞΑΡΤΗΜΑΤΟΣ ΓΙΑ ΠΡΟΣΘΕΤΕΣ ΔΟΚΙΜΕΣ. ΠΡΟΚΕΙΜΕΝΟΥ ΝΑ ΣΑΣ ΒΟΗΘΗΣΟΥΜΕ ΚΑΛΥΤΕΡΑ, ΖΗΤΑΜΕ ΟΛΕΣ ΟΙ ΠΛΗΡΟΦΟΡΙΕΣ ΠΟΥ ΠΑΡΕΧΕΤΕ ΝΑ ΕΙΝΑΙ ΠΛΗΡΕΙΣ.

ΓΙΑ ΣΥΧΝΕΣ ΕΡΩΤΗΣΕΙΣ, ΕΓΧΕΙΡΙΔΙΑ, ΒΙΝΤΕΟ Ή ΑΝΤΑΛΛΑΚΤΙΚΑ, ΠΑΡΑΚΑΛΟΥΜΕ ΕΠΙΣΚΕΦΘΕΙΤΕ ΤΗΝ ΙΣΤΟΣΕΛΙΔΑ ΜΑΣ: www.bestwaycorp.com
ΒΙΝΤΕΟ ΔΙΑΤΙΘΕΝΤΑΙ ΕΠΙΣΗΣ ΣΤΟ ΔΙΚΟ ΜΑΣ ΚΑΝΑΛΙ BESTWAY ΣΤΟ YOUTUBE: <http://youtube.com/user/BestwayService>.

Bestway®

ПРЯМОУГОЛЬНЫЕ БАСЕЙНЫ POWER STEEL™ РУКОВОДСТВО ДЛЯ ВЛАДЕЛЬЦА

Посетите канал Bestway на YouTube



ВНИМАНИЕ

Внимательно прочитайте информацию в руководстве пользователя, убедитесь в том, что вам все понятно, и следуйте указаниям при установке и использовании бассейна. Эти предостережения, инструкции, меры предосторожности предупреждают о некоторых распространенных рисках отдыха и игр в воде, но не покрывают всех риски и все возможные опасности. Будьте осторожны, рассудительны и разумны при отдыхе и играх в воде. Сохраните эту брошюру для дальнейшего использования в справочных целях.

Безопасность пользователей, не умеющих плавать

- Компетентный взрослый должен постоянно внимательно и активно присматривать за детьми, которые не умеют плавать или плавают не очень хорошо (помните, что наибольшему риску утонуть подвержены дети до пяти лет).
- Каждый раз при использовании бассейна поручайте наблюдение за детьми компетентному взрослому.
- Дети, которые не умеют плавать или плавают не очень хорошо, должны использовать специальное защитное снаряжение при использовании бассейна.
- Когда бассейн не используется, или когда за ним никто не присматривает, уберите все игрушки из бассейна и прилегающей зоны, чтобы дети не могли заинтересоваться ими и приблизиться к бассейну.

Устройства, обеспечивающие безопасность

- Чтобы предотвратить риск утопления детей, рекомендуется закрыть доступ в бассейн защитным ограждением. Чтобы помешать детям карабкаться на впускной и выпускной клапаны, рекомендуется установить ограждение (блокировать все окна и двери, если они имеются), чтобы предотвратить доступ в бассейн без разрешения.
- Ограждения, покрытия бассейна, сигнализация в бассейне и прочие защитные устройства полезны, но они не могут заменить постоянное и компетентное наблюдение, осуществляемое взрослыми.

Оборудование, обеспечивающее безопасность

- Рекомендуется хранить спасательное оборудование (напр., спасательный круг) в непосредственной близости от бассейна.
- Держите работающий телефон и список номеров телефонов экстренной связи в непосредственной близости от бассейна.
- Безопасное использование бассейна**
- Посоветуйте всем пользователям, особенно детям, научиться плавать
- Изучите базовые техники экстренной первой помощи (сердечно-легочная реанимация - СЛР) и регулярно освежайте ваши знания. Если произойдет несчастный случай, вы сможете спасти жизнь человека.
- Объясните все пользователям бассейна, особенно детям, что делать в случае чрезвычайного происшествия.
- Никогда не ныряйте на мелководье. Это может привести к серьезным травмам или смерти.
- Не используйте бассейн, если вы выпили алкогольный напиток или приняли лекарство, которое может негативно повлиять на вашу способность безопасно пользоваться бассейном.
- Если вы используете покрытие бассейна, полностью уберите его с поверхности воды перед тем, как использовать бассейн.
- Защищайте пользователей бассейна от болезней, которые могут передаваться через воду, регулярно очищая воду и следуя правилам гигиены. Следуйте инструкциям по очистке воды, содержащимся в этом руководстве пользователя.
- храните химикаты (напр., для очистки воды, чистящие и дезинфицирующие средства) в недоступном для детей месте.
- Используйте указанные ниже предупредительные знаки. Знаки должны быть установлены на видном месте на расстоянии 2 м от бассейна.



- В воде дети должны находиться под присмотром взрослых. Ныряние запрещается
- Съемные лестницы должны быть установлены на ровной поверхности.
- Независимо от материалов, из которых изготовлен бассейн, регулярно проверяйте доступные поверхности, чтобы избежать риска травм.
- Регулярно проверяйте болты и винты; удаляйте обломки и острые углы, чтобы избежать риска травм.
- **ВНИМАНИЕ!** Не оставляйте бассейн со слитой водой на улице. Пустой бассейн может деформироваться и/или опрокинуться от ветра.
- Если в комплект поставки входит фильтрующий насос, см. инструкции в руководстве пользователя насоса.
- **ВНИМАНИЕ!** Запрещается пользоваться насосом, когда люди находятся в бассейне!
- Если в комплект поставки входит лестница, см. инструкции в руководстве пользователя лестницы.
- **ВНИМАНИЕ!** При пользовании плавательным бассейном необходимо соблюдать инструкции по технике безопасности, содержащиеся в руководстве по эксплуатации и обслуживанию. Чтобы избежать опасности утопления или других серьезных травм, внимательно следите за тем, чтобы дети до 5 лет не попали в бассейн без разрешения. Оборудуйте доступ к бассейну защитными устройствами и постоянно держите детей под наблюдением взрослых во время использования бассейна.

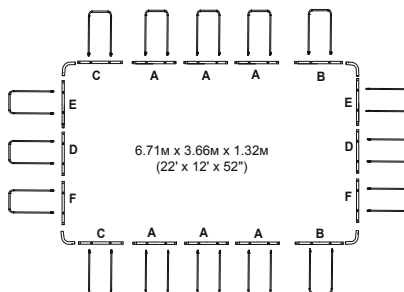
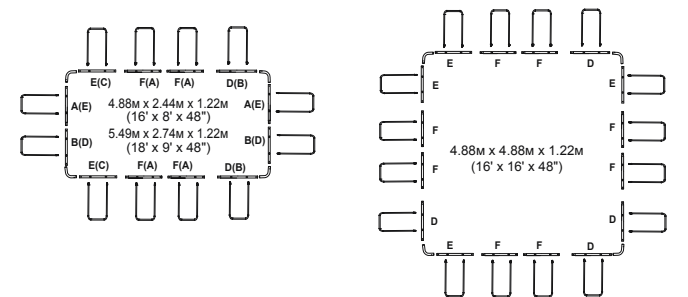
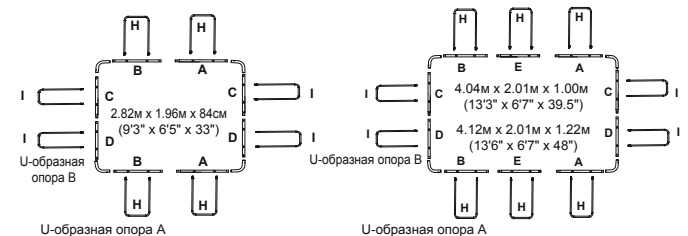
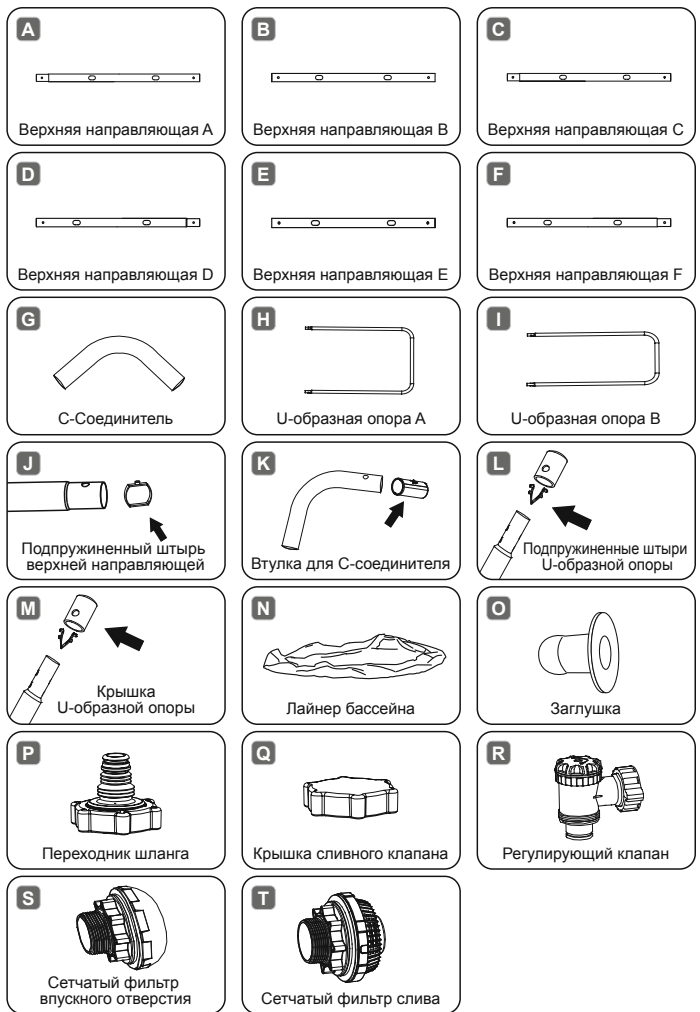
Внимательно изучите инструкции и сохраните их для дальнейшего использования в справочных целях

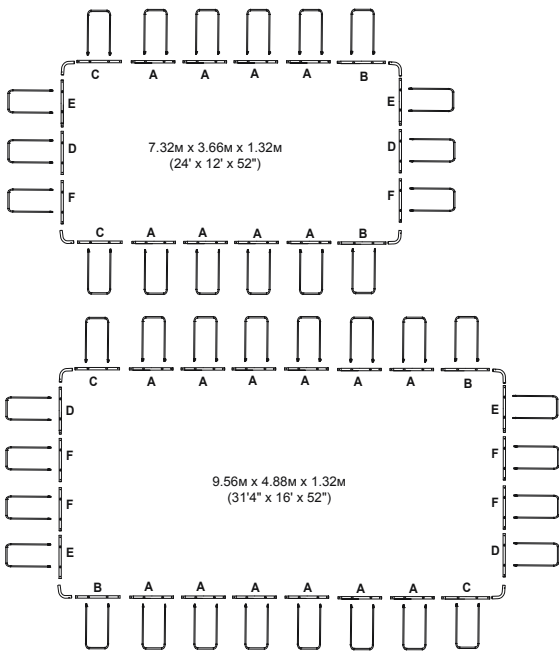
Установка силами 2-3 человек обычно занимает приблизительно 20-30 минут, не считая земляных работ и наполнения бассейна водой.

Описание частей смотрите ниже.

Спецификация деталей:

ПРИМЕЧАНИЕ. Некоторые детали уже установлены на бассейне.





ПРИМЕЧАНИЕ: Изображения на схемах предназначены только для целей иллюстрации. Они могут не отображать конкретное изделие. Схемы не отображают действительный масштаб.

ВНИМАТЕЛЬНО ПРОЧИТАЙТЕ И СОХРАНИТЕ ДЛЯ БУДУЩЕГО ПОЛЬЗОВАНИЯ.

ВЫБЕРИТЕ ПРАВИЛЬНОЕ МЕСТО УСТАНОВКИ

ПРИМЕЧАНИЕ. Бассейн необходимо устанавливать на полностью ровной и горизонтальной поверхности. Не устанавливайте бассейн на наклонных поверхностях и склонах.

Правильные условия установки бассейна

- Выбранный участок должен равномерно выдерживать вес бассейна в течение всего времени его установки; кроме того, участок должен быть ровным и освобожден от всех посторонних предметов и мусора, включая камни и ветки.
- Рекомендуем устанавливать бассейн вдалеке от предметов, которые дети могут использовать для того, чтобы забраться в него.

ПРИМЕЧАНИЕ. Устанавливайте бассейн рядом с подходящей системой слива, чтобы, при необходимости, устранить переливание или опорожнить бассейн.

Неправильные условия установки бассейна

- На неровной поверхности бассейн может перевернуться, что приведет к серьезным травмам и/или повреждению личного имущества, аннулирует гарантию и сделает невозможным обращение в сервисную службу.
- Не формируйте ровную поверхность с помощью песка; при необходимости срыйте землю.
- Не устанавливайте бассейн непосредственно под воздушными линиями электропередач или деревьями. Убедитесь в том, что на выбранном участке нет подземных коммуникаций, линий или кабелей.
- Не устанавливайте бассейн на подъездных дорожках, настилах, платформах, гравии или асфальте. Выбранный участок должен быть достаточно твердым, чтобы выдержать давление воды; грязь, песок, мягкая/рыхлая почва или смола не подходят.
- Трава и другая растительность под бассейном погибнет и может привести к возникновению неприятных запахов и слизи, поэтому рекомендуем удалить с выбранного для установки участка всю траву.
- Избегайте участков, на которых агрессивные виды растений или сорняков могут прорасти через подстилку или подкладку.

ПРИМЕЧАНИЕ. Обратитесь в местные органы власти за информацией о постановлениях, касающихся ограждения, барьеров, освещения, и нормах техники безопасности и неукоснительно их соблюдайте.

ПРИМЕЧАНИЕ. Если в комплект поставки входит фильтрующий насос, см. инструкции в его руководстве пользователя.

ПРИМЕЧАНИЕ. Лестница должна соответствовать размеру бассейна; пользуйтесь ею только для того, чтобы войти и выйти из бассейна. Запрещено превышать полезную нагрузку лестницы. Регулярно проверяйте, правильно ли собрана лестница.

Сборка

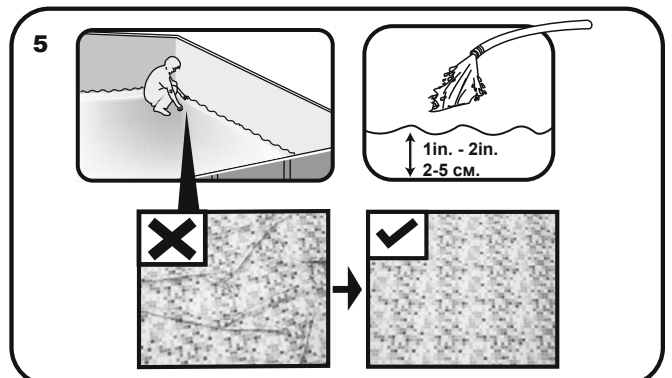
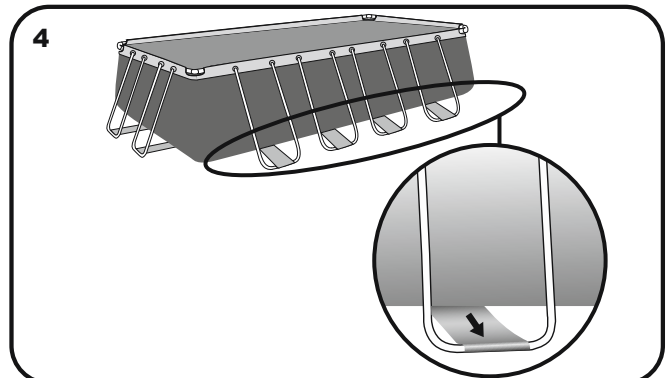
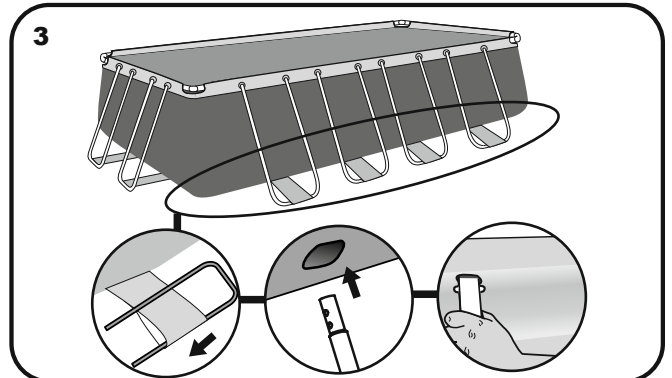
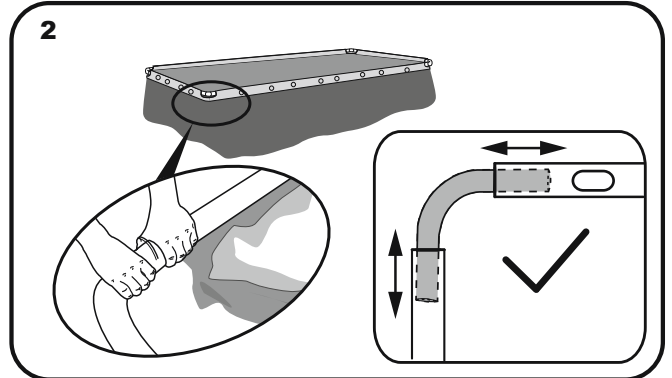
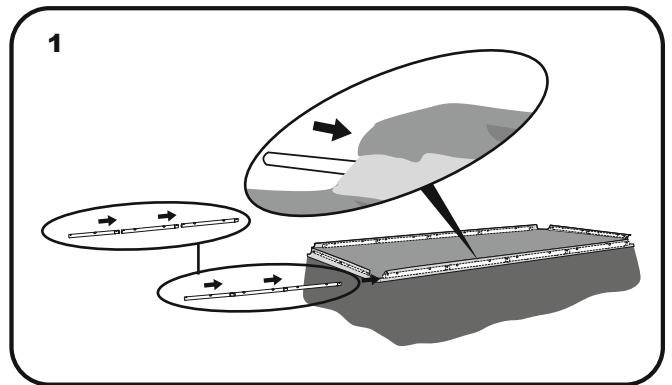
Для сборки прямоугольного каркасного бассейна инструменты не требуются.

Компания Bestway Inflatables не принимает на себя ответственность за повреждения бассейна по причине неправильного обращения или несоблюдения настоящей инструкции.

1. Разложите все составные части и проверьте соответствие их количества спецификации деталей. Если какой-то детали не хватает, не собирайте бассейн, а обратитесь в службу работы с покупателями Bestway.
2. Расстелите бассейн и убедитесь, что он расстелен правильной стороной вверх. Оставьте его примерно на час под прямыми лучами солнца, для того чтобы он был более эластичным при сборке
3. Установите бассейн рядом с подходящей системой слива, чтобы, при необходимости, устранить переливание, и убедитесь в том, что выпускное отверстие А и выпускное отверстие В бассейна расположены правильно, что позволит подсоединить фильтрующий насос к источнику питания.

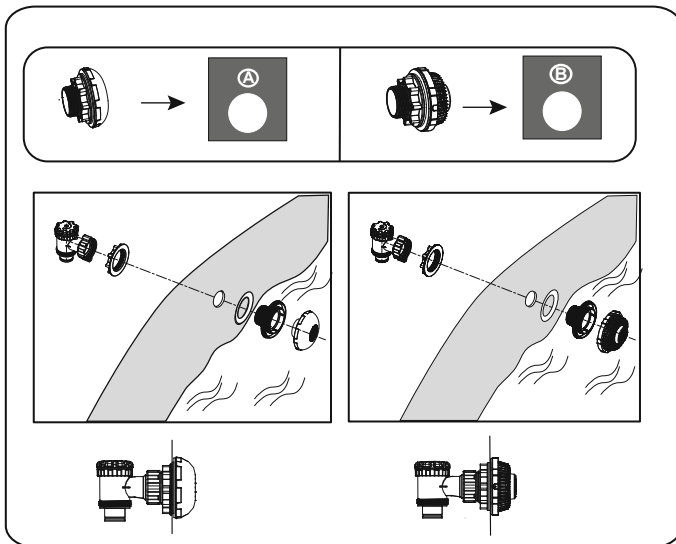
ПРИМЕЧАНИЕ: Не используйте удлинители для подключения насоса к источнику питания.

ВНИМАНИЕ! Не волочите бассейн по земле, это может привести к его повреждению.

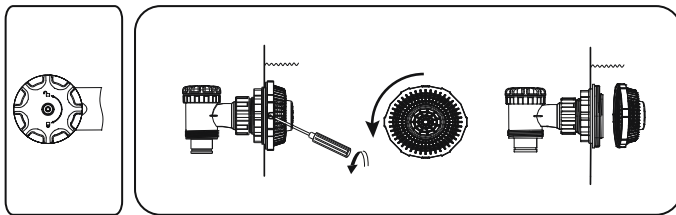


Сборка соединительного клапана

Для бассейна с соединительным клапаном:



ПРИМЕЧАНИЕ: Если вы хотите подсоединить другие комплекты для чистки бассейнов через соединительный клапан, с помощью отвертки Phillips снимите с соединителя сетку для улавливания мусора.



Наполнение бассейна водой

ВНИМАНИЕ: Не оставляйте бассейн без внимания, когда он наполняется водой.

1. Наполните бассейн водой на 90%. **НЕ ПЕРЕПОЛНЯЙТЕ** его водой, он может разрушиться. Во время сильных дождей, возможно, понадобится отливать часть воды, чтобы сохранить нужный уровень воды в бассейне.

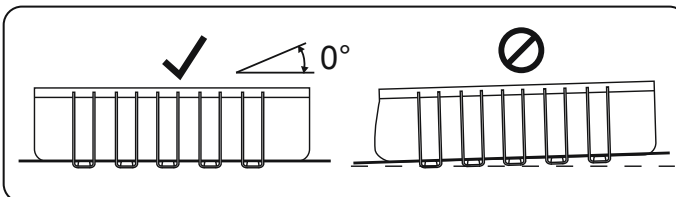
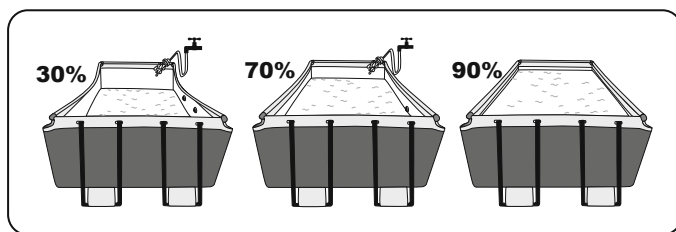
2. По завершении наполнения бассейна, убедитесь в том, что бассейн установлен ровно, проверьте, не перетекает ли вода к одному краю.

ВАЖНО! Если бассейн установлен неровно, слейте воду и выровняйте площадку, подкопав землю. Никогда не пытайтесь передвигать бассейн с находящейся в нем водой, можно получить травму или повредить бассейн.

ВНИМАНИЕ: Внутри бассейна может накапливаться высокое давление. Если на поверхности бассейна присутствуют бугры или неровности, это означает, что давление внутри бассейна неравномерно или он установлен неровно, стенки бассейна могут внезапно прорваться и вода выльется из бассейна, становясь причиной серьезных травм и/или нанесения материального ущерба.

3. Проверьте бассейн на отсутствие протечек по швам и в местах установки клапанов, проверьте подстилку, нет ли на ней явных следов протекающей воды. Не добавляйте химикаты в бассейн, пока вы не убедитесь в отсутствии протечек.

ПРИМЕЧАНИЕ. В случае протечки заклейте бассейн клейкой заплаткой для ремонта поверхности, находящейся под водой, которая входит в комплект поставки. Обратитесь к разделу часто задаваемых вопросов для получения более подробной информации.



ОБЛУЖИВАНИЕ БАСЕЙНА

ВНИМАНИЕ: В случае невыполнения указанных рекомендаций по обслуживанию бассейна, вы можете подвергнуть опасности свое здоровье, особенно здоровье детей. Очистка воды бассейна необходима для безопасности пользователей. Неправильное использование химикатов может принести материальный вред и ущерб здоровью людей.

ПРИМЕЧАНИЕ: Насос используется для циркуляции воды и для фильтрации мелких частиц. Для поддержания чистоты и гигиены воды в бассейне вам также следует использовать химикаты.

1. Не рекомендуется заполнять бассейн застойной водой, водой из пробуренной скважины или из дренажного колодца: такая вода как правило загрязнена органическими субстанциями, в том числе нитратами и фосфатами. Рекомендуется заполнять бассейн водой из общественного водопровода.
2. Постоянно поддерживайте чистоту в бассейне и применяйте соответствующие химикаты. Антисанитарное состояние воды представляет серьезную опасность для здоровья. Рекомендуется использовать дезинфицирующие, кислотные или щелочные химикаты и флокулянты для очистки воды бассейна.
3. Регулярно выполняйте чистку чаши бассейна из поливинилхлорида с помощью неабразивных щеток или пылесоса.
4. В течение сезона система фильтрации воды ежедневно должна работать достаточно долго, чтобы очищать весь объем воды в бассейне.
5. Регулярно проверяйте картриджи фильтра (или песок в песочном фильтре) и заменяйте загрязненные картриджи (или песок).
6. Регулярно проверяйте винты, болты и все металлические детали на предмет ржавчины. При необходимости заменяйте их.
7. Если идет дождь, следите, чтобы уровень воды не превышал указанного уровня. Если уровень воды превышает указанный уровень, слейте воду из бассейна до указанного уровня.
8. Не пользуйтесь насосом во время использования бассейна.
9. Накрывайте бассейн, когда он не используется.
10. Для очистки воды бассейна крайне важен кислотно-щелочной баланс.

ВНИМАНИЕ: Не оставляйте бассейн со слитой водой на улице.

Следующие параметры являются показателем воды хорошего качества

Параметры	Значения
Прозрачность воды	ясно видно дно бассейна
Цвет воды	Вода должна быть бесцветной
Мутность в FNU/NTU	макс 1,5 (лучше, если меньше 0,5)
Концентрация нитратов больше наполнения водой в мг/л	макс. 20
Общее количество органического угля (ООУ) в мг/л	макс. 4,0
Редокс-потенциал против Ag/AgCl 3,5 м КCl в мВ	мин. 650
значение pH	от 6,8 до 7,6
Свободный активный хлор (без циануровой кислоты) в мг/л	от 0,3 до 1,5
Свободный хлор в комбинации с циануровой кислотой в мг/л	от 1,0 до 3,0
Циануровая кислота в мг/л	макс. 100
Смешанный хлор в мг/л	макс. 0,5 (лучше, если ближе к 0,0 мг/л)

ВНИМАНИЕ! Не пользуйтесь насосом во время использования бассейна. В сезон пользования бассейном фильтрационную систему необходимо включать каждый день на достаточно долгое время, чтобы обеспечить полное обновление объема воды.

Ремонт

Проверьте, не дают ли течь клапаны или швы, проверьте нижнюю подкладку на предмет явного протекания воды. Не добавляйте химикаты, пока эта проверка не будет выполнена.

ПРИМЕЧАНИЕ: В случае протечки заклейте бассейн клейкой заплаткой для ремонта поверхности, находящейся под водой, которая входит в комплект поставки. Обратитесь к разделу часто задаваемых вопросов для получения более подробной информации.

Разборка

1. Отвинтите крышку сливного клапана против часовой стрелки и снимите ее.
2. Подсоедините переходник к шлангу и расположите другой конец шланга там, куда вы хотите сливать воду из бассейна. (Ознакомьтесь с местными нормами по сливу воды.)
3. Навинтите управляющее кольцо переходника шланга на сливной клапан по часовой стрелке. Сливной клапан откроется, и слив воды начнется автоматически.
4. По завершении слива отвинтите регулирующее кольцо, чтобы закрыть клапан.
5. Отсоедините шланг.
6. Снова навинтите крышку на сливной клапан.
7. Выполните воздушную сушку бассейна.

ВНИМАНИЕ! Не оставляйте бассейн со слитой водой на улице.

Хранение и подготовка к зиме

1. Уберите все аксессуары и запасные части бассейна и сложите их на хранение в чистом и сухом месте.
2. После полного просушивания бассейна посыпьте поверхности тальком, чтобы они не сплались, и аккуратно расправьте бассейн. Если не просушить бассейн полностью, может образоваться плесень и повредить ткань бассейна.
3. Храните чашу бассейна и его аксессуары в сухом месте при умеренной температуре от 5°C / 41°F до 38°C / 100°F.
4. В дождливое время года бассейн и принадлежности следует хранить, как указано выше.
5. Неправильный слив воды из бассейна может привести к серьезным травмам людей и/или повреждения имущества.
6. Вне сезона (в зимние месяцы) настоятельно рекомендуется разбирать бассейн. Храните в сухом месте, недоступном для детей.

Ограниченная гарантия производителя от компании BESTWAY®

На приобретенное вами изделие распространяется ограниченная гарантия. Компания Bestway® гарантирует качество изделия и отсутствие дефектов изготовления; в противном случае компания обязуется его заменить.

Следующие указания действительны только для стран-членов Европейского союза: Ограниченная гарантия BESTWAY не отменяет и не ограничивает действие положений директивы 1999/44/ЕС.

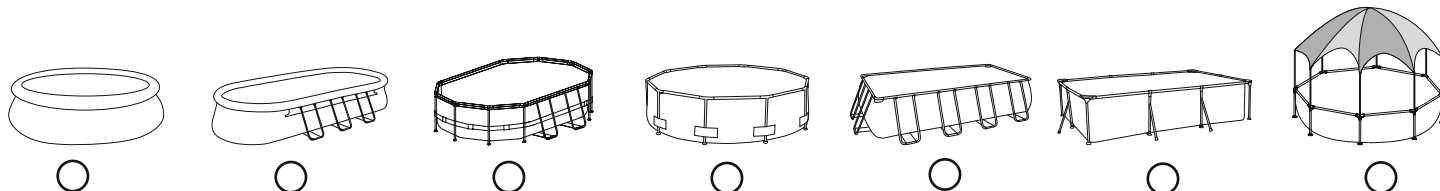
Для подачи гарантийной рекламации следует заполнить данную форму и вместе с копией товарного чека направить в местный центр послепродажного обслуживания компании Bestway. Прежде чем принимать рекламацию, центр послепродажного обслуживания Bestway может предложить вам направить деталь дефектного компонента в центр (например, вырезанный номер партии изделия/сливной клапан). Прежде чем направлять документы, просим обратиться в ближайший центр послепродажного обслуживания компании Bestway. Там вы получите полные инструкции о том, что необходимо для оформления претензии.

Компания Bestway® не несет ответственности за материальные потери, причиненные водой, а также за материальные траты на покупку химикатов. Компания Bestway® не выполняет замену изделий, дефекты которых вызваны небрежным обращением или несоблюдением рекомендаций, содержащихся в руководстве пользователя.

Гарантия Bestway распространяется на дефекты производства, обнаруженные при распаковке изделия или во время эксплуатации, в рамках эксплуатации при соблюдении требований, предостережений и указаний, содержащихся в руководстве пользователя. Данная гарантия распространяется только на изделия, которые не подвергались изменениям со стороны третьих сторон. Изделие следует хранить и эксплуатировать в соответствии с техническими рекомендациями.

Ограниченная гарантия действительна в срок, указанный выше. Датой вступления гарантии в силу является дата продажи, указанная на оригинале товарного чека/счета-фактуры.

Выберите тип вашего бассейна:



Дата покупки: _____ Номер кода клиента: _____

КОМУ: Bestway® Service Department Дата: _____

ФАКС/ЭЛЕКТРОННАЯ ПОЧТА/ТЕЛЕФОН: Используйте сведения для вашей страны, указанные на последней странице обложки или на нашем веб-сайте: www.bestwaycorp.com

Укажите ваш адрес полностью. **Примечание.** Неполный адрес может стать причиной задержки доставки.

Компания Bestway оставляет за собой право выставить счет за повторную пересылку посылок при неправильном указании отправителем адреса получателя.

НЕОБХОДИМАЯ ИНФОРМАЦИЯ – ВПИШИТЕ АДРЕС ДОСТАВКИ

Имя и фамилия: _____ Адрес: _____

Почтовый индекс: _____ Продавец: _____

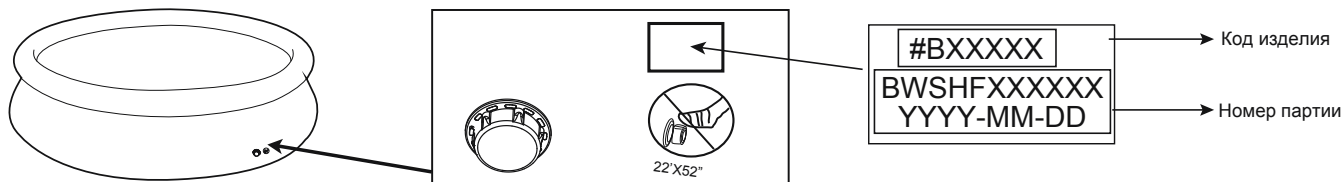
Страна: _____ Город: _____

Сотовый телефон: _____ Телефон: _____

Факс: _____ Эл.почта: _____

Укажите номер партии и код изделия, расположенные рядом со сливным клапаном

Номер партии: _____ Код изделия: _____



Описание неисправности

- Изделие порвано/протекает Дефекты сварки Дефекты верхнего кольца Дефекты сливного клапана
- Другое (Просим описать) Отсутствующая деталь (Просим указать код отсутствующей детали. Его можно найти в руководстве пользователя.)

ВАЖНО: БУДЕТ ВЫПОЛНЕНА ЗАМЕНА ТОЛЬКО ПОВРЕЖДЕННОГО КОМПОНЕНТА, А НЕ ВСЕГО КОМПЛЕКТА.

Компания Bestway оставляет за собой право запросить фотографические свидетельства дефектных компонентов либо потребовать выслать компонент для дополнительного тестирования. В целях оказания вам максимальной помощи просим предоставлять полную информацию.

ЧТОБЫ ОЗНАКОМИТЬСЯ С РАЗДЕЛОМ ЧАСТО ЗАДАВАЕМЫХ ВОПРОСОВ, ПОСМОТРЕТЬ ВИДЕО ИЛИ ЗАКАЗАТЬ ЗАПАСНЫЕ ЧАСТИ ИЗДЕЛИЙ, ПОСЕТИТЕ НАШ ВЕБ-САЙТ www.bestwaycorp.com
ВИДЕОРОЛИКИ ДОСТУПНЫ ТАКЖЕ НА НАШЕМ КАНАЛЕ BESTWAY НА YOUTUBE. <http://youtube.com/user/BestwayService>.

Bestway®

BASENY PROSTOKĄTNE POWER STEEL™ INSTRUKCJA OBSŁUGI

Odwiędź stronę Bestway na YouTube 



OSTRZEŻENIE

Przed montażem i użyciem basenu przeczytaj dokładnie i ze zrozumieniem wszystkie informacje zawarte w instrukcji obsługi i postępuj zgodnie z nimi. Ostrzeżenia, instrukcje i wskazówki dotyczące bezpieczeństwa obejmują niektóre z zagrożeń powszechnych dla rekreacji wodnej, nie obejmują w żadnym razie wszystkich możliwych zagrożeń. Przy każdej zabawie w wodzie należy kierować się zdrowym rozsądkiem i oceną sytuacji. Zachowaj tę informację do późniejszego wglądu.

Bezpieczeństwo osób nie umiejących pływać

- Wymagany jest zawsze ciągły, aktywny i czujny nadzór kompetentnej osoby dorosłej jeśli w basenie znajdują się słabo pływające lub nieumiejące pływać (pamiętaj, że dzieci poniżej 5 roku życia są zagrożone w najwyższym stopniu utonięciem).
- Przed każdym użyciem basenu wyznacz kompetentną osobę dorosłą w celu jego nadzoru.
- Osoby słabo pływające lub nieumiejące pływać, podczas korzystania z basenu powinny zakładać środki ochrony indywidualnej.
- Kiedy basen nie jest używany lub pozostaje bez nadzoru, należy usunąć z niego i jego otoczenia wszystkie zabawki, aby w ten sposób nie przyciągać uwagi dzieci.

Środki ochrony osobistej

- Aby zapobiec utonięciu, zaleca się zabezpieczenie dostępu dzieci do basenu przy pomocy odpowiednich urządzeń ochronnych. Aby zapobiec wspinaniu się przez dzieci na zawór wlotowy i wylotowy, zalecane jest zamontowanie bariery (i zabezpieczenie w razie potrzeby wszystkich drzwi i okien) zapobiegającej nieupoważnionemu dostępowi do basenu.
- Bariery, pokrywy na basen lub podobne zabezpieczenia stanowią użyteczną pomoc, ale nie zastępują stalego i kompetentnego nadzoru przez dorosłych.

Sprzęt ratunkowy

- Zaleca się posiadanie sprzętu ratunkowego (np. koła ratunkowego) w pobliżu basenu.
- W pobliżu basenu należy mieć działający telefon oraz listę numerów telefonów ratunkowych.

Bezpieczne korzystanie z basenu

- Zachęcaj wszystkich użytkowników, a szczególnie dzieci do nauki pływania.
- Naucz się podstawowych technik ratowania życia (resuscytacji krążeniowo-oddechowej – CPR) i regularnie odświeżaj tę wiedzę. Może ona pomóc w uratowaniu życia w nagłym wypadku.
- Naucz wszystkich użytkowników basenu, w tym dzieci, co mają robić w razie niebezpieczeństwa.
- Nigdy nie wskakuj na główkę do płytkiej wody. Może to spowodować poważne obrażenia, a nawet śmierć.
- Nie korzystaj z basenu po spożyciu alkoholu lub leków, które mogą negatywnie wpływać na zdolność bezpiecznego korzystania z basenu.
- W przypadku używania pokryw na basen, przed wejściem do basenu zdejmij je całkowicie z powierzchni wody.
- Chroń użytkowników basenu przed chorobami związanymi z wodą uzdatniając wodę do basenu i zachowując zasady prawidłowej higieny. Zapoznaj się z wytycznymi dotyczącymi uzdatniania wody w instrukcji obsługi.
- Chemikalia (np. środki do uzdatniania wody, czyszczące i dezynfekcyjne) trzymaj poza zasięgiem dzieci.
- Stosuj oznakowanie opisane poniżej. Oznakowanie należy ustawić w widocznym miejscu w odległości nie większej niż 2 m od basenu.



- Nadzoruj dzieci w środowisku wodnym. Nie nurkować.
- Zdejmowane drabinki należy ustawiać na powierzchni poziomej.
- Aby uniknąć obrażeń, powierzchnie dostępne należy regularnie sprawdzać, niezależnie od materiałów konstrukcyjnych basenu.
- Należy regularnie sprawdzać śruby i wkręty. Aby uniknąć obrażeń należy usuwać odpryski i wszelkie ostre krawędzie.
- **UWAGA:** Po wypuszczeniu wody, nie pozostawiaj basenu na zewnątrz. Pusty basen może zostać odskałcony i/lub przemieszczony przez wiatr.
- W przypadku montażu pompy filtrującej, dla uzyskania wskazówek należy zapoznać się z jej instrukcją obsługi.
- **OSTRZEŻENIE!** Pompy nie wolno używać, kiedy w basenie przebywają ludzie.
- W przypadku stosowania drabinki, dla uzyskania wskazówek należy zapoznać się z jej instrukcją obsługi.
- **OSTRZEŻENIE!** Używanie basenu jest równoznaczne z akceptacją i przestrzeganiem zasad bezpieczeństwa zamieszczonych w instrukcji obsługi i konserwacji. Aby uniknąć utonięć lub innych poważnych obrażeń, należy zwracać szczególną uwagę na możliwość niespodzianego wejścia do basenu przez dzieci w wieku poniżej 5 lat. Należy w tym celu zabezpieczyć wejście do basenu, a kąpielące się dzieci muszą być pod stałym nadzorem osoby dorosłej.

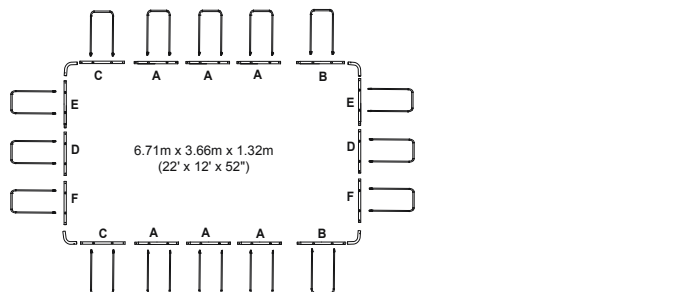
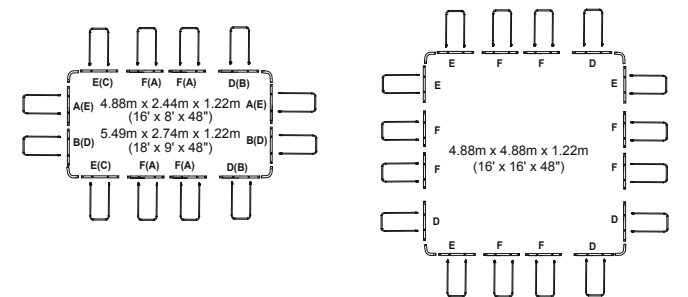
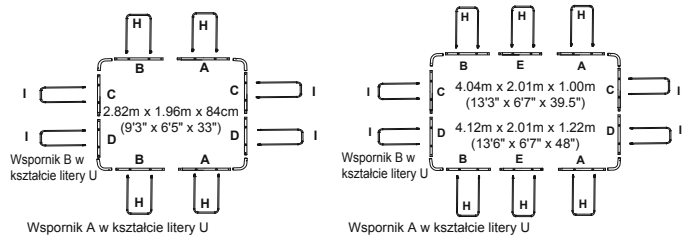
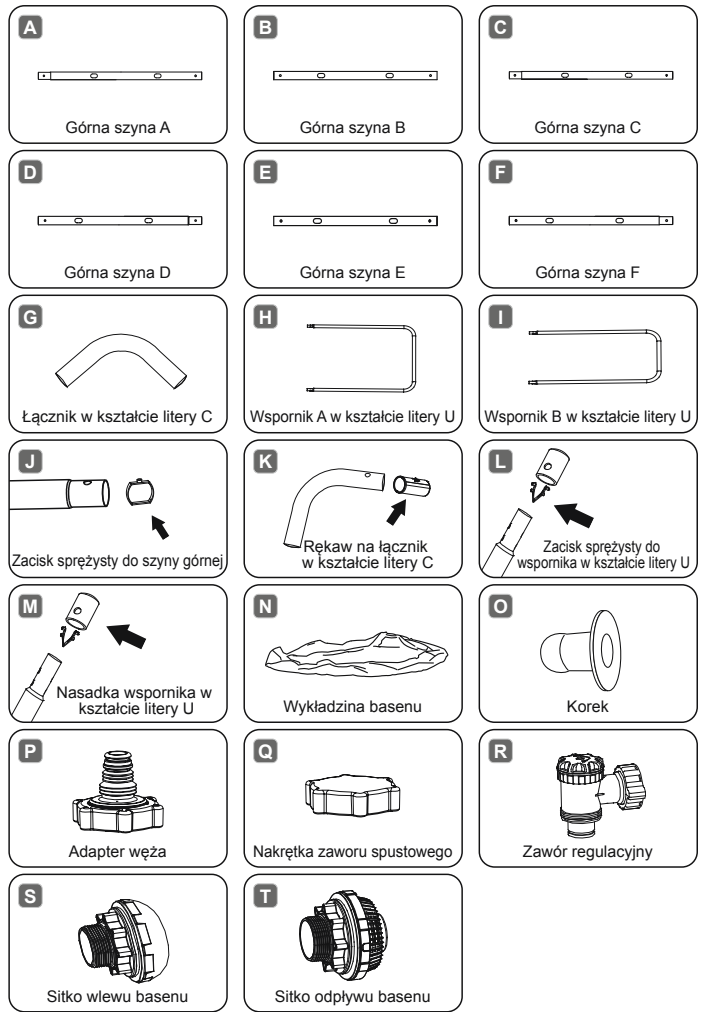
Prosimy o dokładne przeczytanie i zachowanie niniejszego dokumentu do późniejszego wglądu.

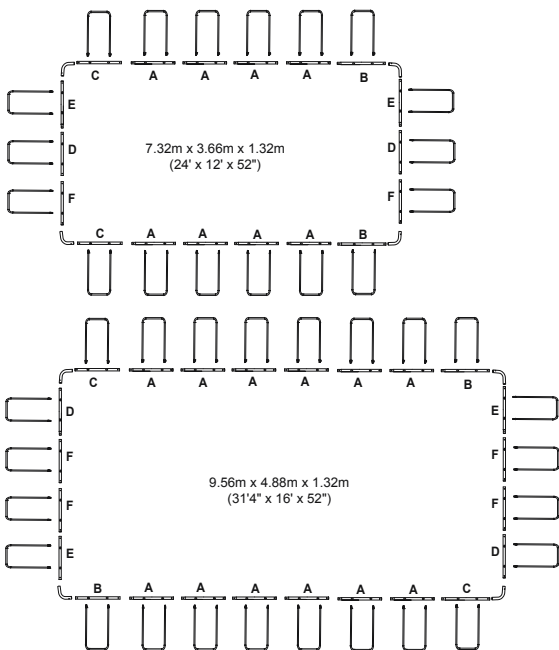
Montaż zazwyczaj zajmuje około 20-30 minut i wymaga 2-3 osób, z wyłączeniem prac ziemnych i napełniania.

Zobacz poniższe opisy części.

Wykaz części:

UWAGA: Niektóre z części zostały już zamontowane do basenu.





UWAGA: Rysunki zostały zamieszczone wyłącznie w celach ilustracyjnych. Mogą odbiegać one od rzeczywistego wyglądu produktu. Nie wykonane w skali.

PRZECZYTAJ UWAŻNIE I ZACHOWAJ, ŻEBY MOŻNA BYŁO KORZYSTAĆ Z NIEJ W PÓŹNIEJSZYM CZASIE UŻYTKOWANIA.

WYBRAĆ ODPOWIEDNIE UMIEJSCOWIENIE

UWAGA: Basen należy ustawić na zupełnie płaskiej i równej powierzchni. Nie instaluj basenu, jeśli teren jest pochyły lub stromy.

Prawidłowe warunki do ustawienia basenu:

- Wybrane miejsce musi być w stanie równomiernie utrzymać ciężar basenu przez cały okres jego instalacji. Ponadto teren ten musi być płaski i oczyszczony z wszelkich przedmiotów i gruzu, a także kamieni i patyków.
- Zaleca się ustawienie basenu z dala od wszelkich przedmiotów, dzięki którym dzieci mogłyby wejść do basenu.

UWAGA: Basen umieścić w pobliżu odpowiedniego systemu odprowadzającego, aby poradzić sobie w przypadku jego przelania się lub w razie opróżniania basenu.

Nieprawidłowe warunki do ustawienia basenu:

- Ustawienie basenu na nierównym podłożu może spowodować jego runięcie i zalanie, powodując poważne obrażenia ciała i/lub wyrządzać szkody materialne oraz pociągnięcie za sobą utratę gwarancji i praw do naprawy.
- Nie używać piasku do wyrównania podłoża, wykopać dół, jeśli jest to konieczne.
- Bezpośrednio pod liniami elektrycznymi lub drzewami. Upewnij się, czy pod basenem nie są poprowadzone podziemne rury, ani jakiegokolwiek inne przewody lub kable.
- Basenu nie ustawiać na podjazdach, pomostach, podwyższeniach, żwirze lub asfalcie. Podłoże powinno być wystarczająco zwarte, aby wytrzymać ciężar wody w basenie; błoto, piasek, miękka / luźna gleba lub mokradła nie nadają się.
- Trawnik lub inne rośliny pod basenem zgniją lub zgniją i mogą nieprzyjemnie pachnieć, dlatego zaleca się usunięcie wszystkich roślin z miejsca, gdzie ma stanąć basen.
- Unikaj stawiania basenu nad lub w pobliżu takich miejsc, gdzie będzie narażony na działanie agresywnych gatunków roślin i chwastów, które mogą przebić się przez dno i ścianę basenu.

UWAGA: Sprawdź, jakie są obowiązujące przepisy lokalne dotyczące stawiania ogrodzeń, barierek, oświetlenia oraz jakie są przepisy dotyczące bezpieczeństwa i upewnij się, czy nie narusza się żadnego z nich.

UWAGA: Jeśli zakupiona została pompa filtrująca, element ten ma swoje osobne instrukcje użytkowania.

UWAGA: Drabinka musi pasować do wymiarów basenu i może być używana tylko do wchodzenia i wychodzenia z basenu. Nie wolno przekraczać maksymalnego obciążenia drabinki. Regularnie sprawdzaj, czy drabinka jest prawidłowo zamontowana.

Montaż

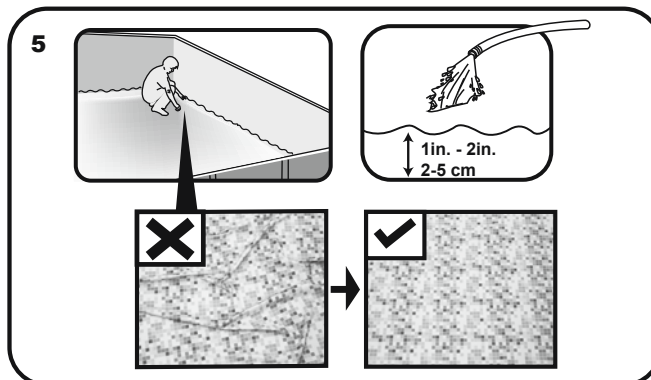
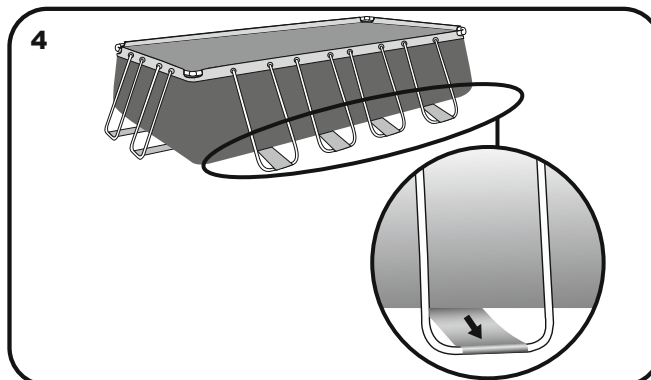
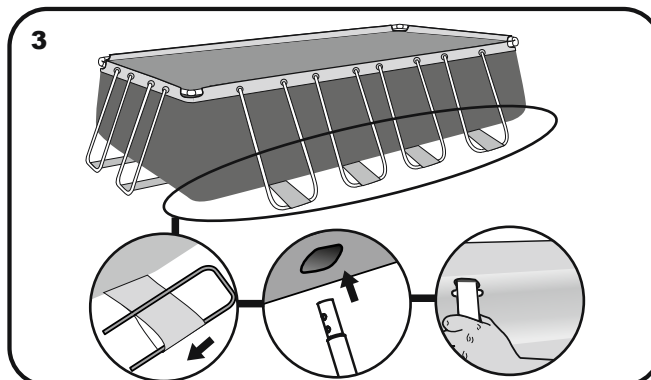
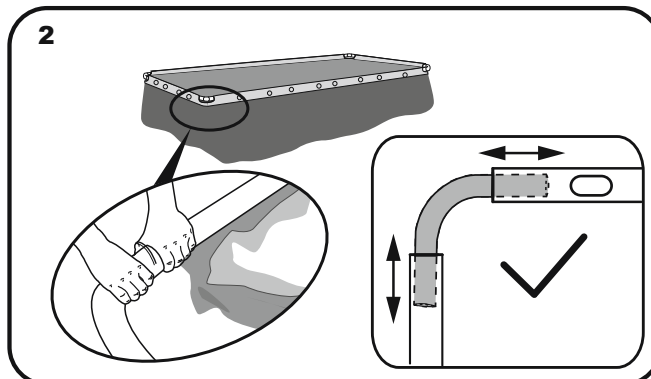
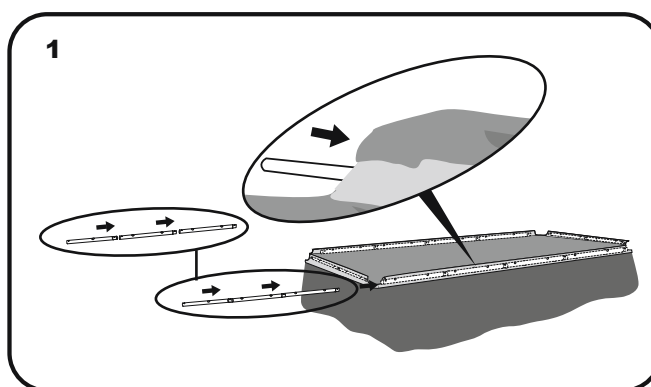
Montaż basenu z prostokątną ramą można wykonać bez narzędzi.

Firma Bestway Inflatables nie bierze na siebie odpowiedzialności za uszkodzenia spowodowane niewłaściwą obsługą basenu lub nieprzestrzeganiem niniejszych instrukcji.

- Wyjąć wszystkie elementy i sprawdzić, czy zgadzają się z wykazem części. Jeśli brakuje jakiegokolwiek części, nie rozpoczynać montażu basenu i skontaktować się z Biurem Obsługi Klienta.
- Rozłóż basen i sprawdź, czy jest odpowiednią stroną do góry, zostaw go na słońcu przez 1 godzinę lub dłużej, żeby podczas montażu basen był bardziej elastyczny.
- Umieść basen w pobliżu odpowiedniego systemu odprowadzenia wody w celu odprowadzenia jej nadmiaru i upewnij się, że wlew A i odpływ basenu B znajdują się w prawidłowym miejscu, pozwalającym na podłączenie pompy filtrującej do źródła zasilania.

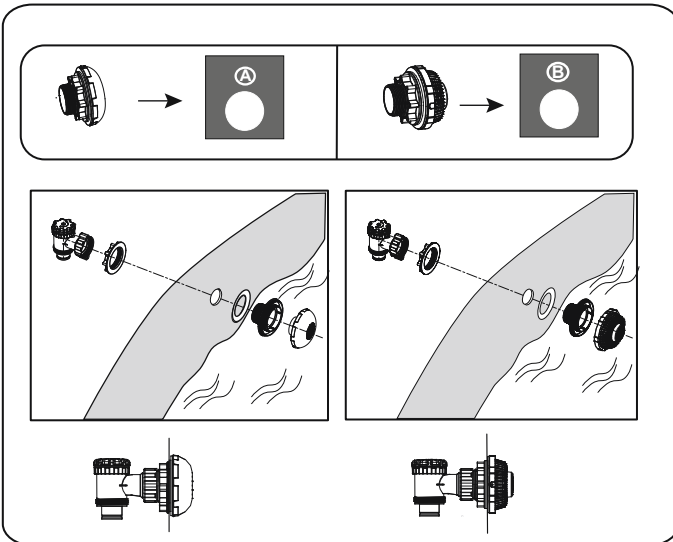
Uwaga: Do zasilania pompy nie należy używać przedłużaczy.

OSTRZEŻENIE: Nie przeciągać basenu po ziemi, może to spowodować jego uszkodzenie.

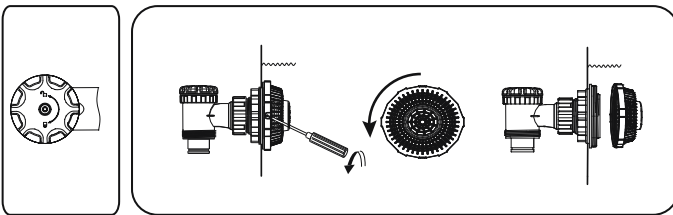


Montaż zaworu połączenia

Baseny z zaworem łączącym.



UWAGA: W celu podłączenia do zaworu połączenia basenu innych zestawów czyszczących, użyj śrubokręta krzyżowego w celu odkręcenia od niego filtra siatkowego.



Napełnianie basenu

OSTRZEŻENIE: Podczas napełniania basenu wodą nie zostawiaj go bez nadzoru.

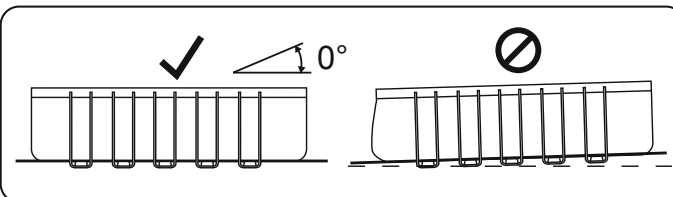
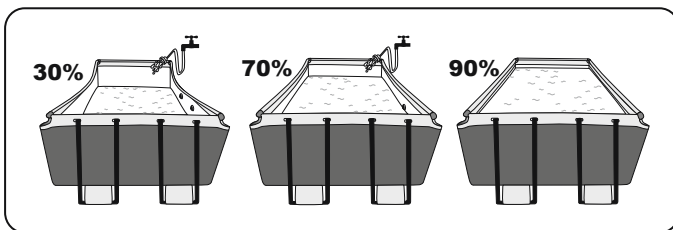
1. Napełnij basen wodą do 90% jego objętości, NIE PRZEPEŁNIAJ GO, gdyż może to spowodować runięcie basenu. W razie intensywnych opadów deszczu może być konieczne spuszczenie pewnej ilości wody z basenu, żeby utrzymać odpowiedni poziom wody.
2. Kiedy napełnianie basenu jest zakończone, sprawdź, czy woda nie zbiera się po bokach, co oznacza, że basen stoi równo. Jeżeli basen nie stoi równo, spuść wodę i wyrównaj ponownie podłoże, podkopując ziemię.

WAŻNE: Nigdy nie próbuj przesunąć basenu z wodą, ponieważ to grozi poważnymi obrażeniami ciała lub może spowodować uszkodzenie basenu.

OSTRZEŻENIE: Woda może wywierać na basen duże ciśnienie. Jeśli na powierzchni basenu występuje wybrzuszenie lub którakolwiek z jego ścian nie jest wyrównana z innymi, ściany mogą pęknąć co spowoduje gwałtowne wylanie się wody z basenu i może spowodować poważne obrażenia i/lub uszkodzenie mienia osobistego.

3. Sprawdź, czy nie ma przecieków przy zaworach lub na szwach, sprawdź na podkładce pod basenem, czy nie jest ona mokra, co wskazywałoby na wyciek wody. Nie dodawaj do wody żadnych środków chemicznych, póki nie wykonasz tego.

UWAGA: W przypadku wycieku załataj basen przy pomocy dołączonej samoprzylepnej łąty podwodnej. W celu uzyskania dodatkowych informacji patrz Najczęściej zadawane pytania.



KONSERWACJA BASENU

Ostrzeżenie: Niestosowanie się do zamieszczonych tutaj wytycznych dotyczących konserwacji może spowodować zagrożenie dla zdrowia, szczególnie zdrowia dzieci. Uzdatnianie wody w basenie ma zasadnicze znaczenie dla bezpieczeństwa użytkowników. Nieprawidłowe stosowanie środków chemicznych może spowodować szkody materialne i obrażenia.

UWAGA: Pompa służy do wymuszania obiegu wody i usuwania małych cząstek stałych. Aby utrzymywać wodę w basenie w czystości i dobrym stanie higienicznym, należy również dodawać środki chemiczne.

1. Nie jest zalecane napełnianie basenu wodą deszczową, wodą z odwiertów ani wodą ze studni: wody te zazwyczaj zawierają zanieczyszczone substancje organiczne, obejmujące związki azotu i fosforu. Zalecane jest napełnianie basenu wodą z wodociągu.
2. Zawsze zachowuj basen w czystości i stosuj odpowiednie środki chemiczne do basenów. Zanieczyszczona woda stanowi poważne zagrożenie dla zdrowia. Do utrzymywania basenu w czystości zaleca się stosowanie środków dezynfekcyjnych, flokulantów, substancji kwasowych lub zasadowych.
3. Regularnie czyść wykładzinę z PCV za pomocą nieściernych szczotek lub odkurzacza basenowego.
4. Przez cały sezon układ filtrujący musi działać codziennie wystarczająco długo, by wyczyścić całą wodę znajdującą się w basenie.
5. Regularnie sprawdzaj wkład filtra (lub piasek w filtrze piaskowym) i wymieniaj zanieczyszczone wkłady (lub piasek).
6. Regularnie sprawdzaj, czy wkręty, śruby i wszystkie elementy metalowe nie są skorodowane. W razie potrzeby wymieniaj.
7. W przypadku deszczu sprawdzaj, czy poziom wody nie przekracza podanego poziomu. Jeżeli poziom wody przekroczy podaną wartość, spuść wodę do odpowiedniego poziomu.
8. Podczas korzystania z basenu nie używaj pompy.
9. Przykrywaj nieużywany basen.
10. Dla uzdatniania wody w basenie bardzo ważny jest jej odczyn pH.

UWAGA: Po wypuszczeniu wody, nie pozostawiaj basenu na zewnątrz. Dobra jakość wody zapewniana jest przez następujące parametry.

Parametry	Wartości
Przejrzystość wody	Wyraźna widoczność dna basenu
Kolor wody	Nie powinien być zauważalny żaden kolor
Zmętnienie w FTU/NTU	Maks. 1,5 (najlepiej poniżej 0,5)
Stężenie azotanów powyżej stężenia w wodzie używanej do napełniania w mg/l	Maks. 20
Całkowita zawartość węgla organicznego (TOC) w mg/l	Maks. 4,0
Potencjał redukcyjno-utleniający w stosunku do Ag/AgCl 3,5 m KCl w mV	Min. 650
Odczyn pH	6,8 do 7,6
Wolny aktywny chlor (bez kwasu cyjanurowego) w mg/l	0,3 do 1,5
Wolny chlor w połączeniu z kwasem cyjanurowym w mg/l	1,0 do 3,0
Kwas cyjanurowy w mg/l	Maks. 100
Związany chlor w mg/l	Maks. 0,5 (najlepiej ok. 0,0 mg/l)

UWAGA: Nie włączaj pompy jeśli basen jest w użyciu. W okresach regularnego użycia basenu, system filtrujący musi być koniecznie uruchamiany codziennie na okres czasu wystarczający na przefiltrowanie całej wody.

Naprawa

Skontroluj basen pod kątem ewentualnych wycieków z zaworów czy szwów, sprawdź czy płachta pod basenem nie jest mokra. Nie dodawaj do wody środków chemicznych przed przeprowadzeniem kontroli.

UWAGA: W przypadku wycieku załataj basen przy pomocy dołączonej samoprzylepnej łąty podwodnej. W celu uzyskania dodatkowych informacji patrz Najczęściej zadawane pytania.

Demontaż

1. Odkręć nakrętkę zaworu spustowego przekręcając ją w stronę zgodną z ruchem wskazówek zegara i zdejmij ją.
2. Podłącz adapter do węża i umieść drugi koniec węża w miejscu, w które masz zamiar wypuścić wodę z basenu. (Sprawdź lokalne przepisy dotyczące wypuszczania wody.)
3. Przekręć pierścień regulujący adaptera węża na zaworze spustowym w prawo. Zawór spustowy otworzy się, a woda zacznie automatycznie wypływać.

UWAGA: Przepływ wody może być kontrolowany przy pomocy pierścienia regulującego.

4. Po zakończeniu opróżniania, odkręć pierścień regulujący w celu zamknięcia zaworu.
5. Odłącz wąż.
6. Przykręć z powrotem nasadkę na zawór odpływu.
7. Wyszusz basen na powietrzu.

UWAGA: Po wypuszczeniu wody, nie pozostawiaj basenu na zewnątrz.

Przechowywanie i konserwacja przed okresem zimowym

1. Odczep od basenu wszystkie akcesoria i części wymienne i przechowuj je czyste i suche.
2. Gdy basen jest już całkowicie suchy, posyp go talkiem, aby zapobiec jego sklejanemu się i ostrożnie zwini basen. Jeśli basen nie jest całkowicie suchy, może rozwinąć się pleśń, co uszkodzi wkładkę basenu.
3. Przechowuj wykładzinę i akcesoria w suchym miejscu o umiarkowanej temperaturze, pomiędzy 5°C / 41°F i 38°C / 100°F.
4. W okresach deszczowych basen i akcesoria powinny być przechowywane w wyżej opisany sposób.
5. Nieprawidłowe odprowadzanie wody z basenu może spowodować poważne obrażenia ciała i/lub uszkodzenia mienia osobistego.
6. Zalecamy demontaż basenu poza sezonem (podczas miesięcy zimowych). Przechowuj w chłodnym, suchym miejscu, poza zasięgiem dzieci.

Ograniczona gwarancja producenta BESTWAY®

Zakupiony przez Państwa produkt jest objęty ograniczoną gwarancją. Bestway® stoi za naszą gwarancją jakości i dzięki gwarancji wymiany zapewnia, że produkt jest wolny od wad fabrycznych.

Poniższy przepis obowiązuje tylko w krajach członkowskich Unii Europejskiej: Niniejsza ograniczona gwarancja Bestway nie wyłącza, nie ogranicza ani nie zawiesza postanowień dyrektywy 1999/44/WE.

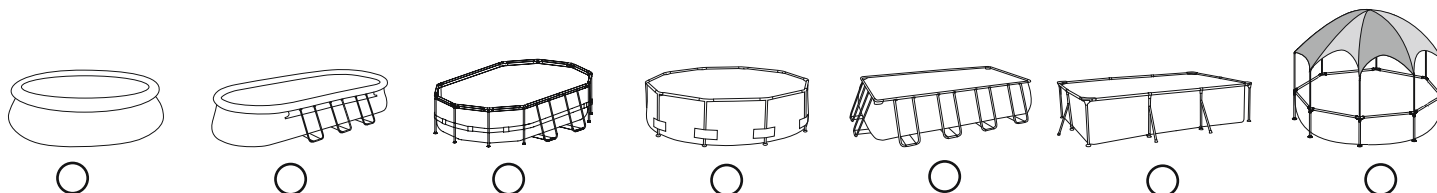
W celu złożenia zgłoszenia gwarancyjnego należy dostarczyć do centrum serwisowego Bestway poniższy, wypełniony formularz oraz kopię paragonu/dowodu zakupu. Przed uwzględnieniem wszelkich roszczeń centrum serwisowe Bestway może poprosić o wysłanie części uszkodzonego elementu do centrum (np. wycinka z numerem produkcyjnym partii/zaworu spustowego). Przed wysłaniem jakichkolwiek dokumentów prosimy o kontakt z lokalnym centrum obsługi klienta. Uzyskają Państwo w ten sposób pełną instrukcję dotyczącą wszystkich wymogów dotyczących reklamacji.

Bestway® nie ponosi odpowiedzialności za straty ekonomiczne spowodowane kosztami rachunków za wodę lub środki chemiczne. Bestway® nie wymieni produktów, które uzna za zaniedbane lub użyte w sposób niezgodny z zaleceniami zamieszczonymi w instrukcji obsługi.

Gwarancja Bestway obejmuje wady fabryczne odkryte podczas rozpakowywania produktu lub podczas jego użytkowania, w granicach użytkowych, z przestrzeganiem ostrzeżeń i zaleceń podanych w instrukcji obsługi. Gwarancja odnosi się wyłącznie do produktów niemodyfikowanych przez strony trzecie. Produkt musi być przechowywany i obsługiwany zgodnie z zaleceniami technicznymi.

Ograniczona gwarancja jest ważna przez okres wskazany powyżej. Termin rozpoczęcia gwarancji stanowi data sprzedaży wskazana na oryginalnym paragonie/fakturze zakupu.

Proszę wybrać rodzaj basenu:



Data zakupu: _____ Kod klienta: _____

DO: Dział Obsługi Bestway® Data: _____

FAKS/E-MAIL/TEL: Prosimy o wybranie właściwego kraju na podstawie informacji znajdujących się na tylnej okładce lub na naszej stronie internetowej: www.bestwaycorp.com
Prosimy o podanie dokładnych danych adresowych. **Uwaga:** Niepełne dane adresowe mogą powodować opóźnienia w przesyłkach.
Bestway zastrzega sobie prawo do obciążenia adresata kosztami ponownej dostawy przesyłek, jeśli dostawa została uniemożliwiona z winy odbiorcy.

WYMAGANE INFORMACJE — PROSIMY O WPISANIE ADRESU DOSTAWY

Nazwisko: _____ Adres: _____

Kod pocztowy: _____ Dostawca: _____

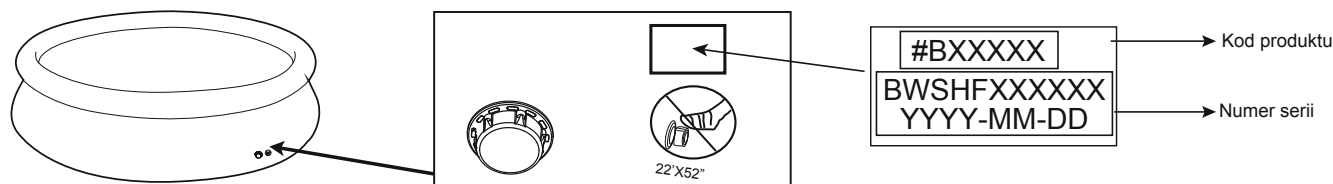
Kraj: _____ Miasto: _____

Telefon komórkowy: _____ Telefon: _____

Fax: _____ E-mail: _____

Proszę wpisać numer serii i kod produktu znajdujący się w pobliżu odpływu

Numer serii: _____ Kod produktu: _____



Opis problemu

Element jest rozdarty/przebieka Uszkodzony zgrzew Uszkodzony pierścień górny Uszkodzony zawór odpływu

Inne (prosimy opisać) Brakująca część (prosimy wpisać kod brakującej części; można go znaleźć w instrukcji obsługi)

WAŻNE: ZOSTANIE WYMIENIONY TYLKO ZNISZCZONY ELEMENT, NIE CAŁY ZESTAW.

Bestway zastrzega sobie prawo do zażądania fotograficznych dowodów na wadliwość części lub do zażądania zwrotu uszkodzonego elementu w celu przeprowadzenia dodatkowych testów. Do zapewnienia Państwu lepszego wsparcia potrzebujemy kompletnych informacji.

W CELU ZAPOZNANIA SIĘ Z NAJCZĘŚCIEJ ZADAWANYMI PYTANIAMI, INSTRUKCJAMI OBSŁUGI, FILMAMI LUB W CELU ZAKUPU CZĘŚCI ZAMIENNYCH PROSIMY ODWIEDZIĆ NASZĄ STRONĘ INTERNETOWĄ: www.bestwaycorp.com
FILMY DOSTĘPNE SĄ RÓWNIEŻ W NASZYM KANALE BESTWAY NA YOU TUBE: <http://youtube.com/user/BestwayService>.

POWER STEEL™ TÉGLALAP ALAKÚ MEDENCÉK HASZNÁLATI ÚTMUTATÓ

Látogassa meg a Bestway YouTube-csatornáját 



FIGYELMEZTETÉS

Az úszómedence telepítése és használata előtt gondosan olvassa el ezt a kézikönyvet, és értse meg, valamint tartsa be a benne foglaltakat. Ezek a figyelmeztetések, utasítások és biztonsági irányelvek segítenek elhárítani a vízi rekreációval kapcsolatos néhány általános kockázatot, de nem tudják lefedni az összes kockázatot és veszélyt. A vízi tevékenységek végzése során mindig legyen óvatos, megfontolt, és jó ítélőképességű. Tegye félre ezt a kézikönyvet, hogy a jövőben bármikor belenézhesen.

Az úszni nem tudók biztonsága

- A gyengén úszóknak és úszni nem tudóknak mindig hozzáértő felnőtt általi folyamatos, aktív és éber felügyeletet kell biztosítani (vegye figyelembe, hogy az öt év alatti gyermekeknél a legnagyobb a fulladásveszély).
- A medence minden egyes használata alkalmával jelöljön ki hozzáértő felnőttet a medence felügyeletére.
- A gyengén úszóknak, illetve úszni nem tudóknak a medence használatakor egyéni védőfelszerelést kell viselniük.
- Ha az úszómedence nincs használatban, távolítsa el belőle és a környezetéből minden játékot, hogy azok a gyermekeket nehogya a medencébe csalogassák.

Biztonsági berendezések

- A gyermekek megfulladásának elkerülése érdekében ajánlatos a medencéhez való hozzáférést védőeszközzel korlátozni. Annak érdekében, hogy a gyermekek ne ugrálhassanak a bemeneti és kimeneti szelepekről, tanácsos kerítéssel (és adott esetben az ajtók és ablakok bezárásával) megakadályozni az illetéktelenek medencéhez való hozzáférését.
- A kerítések, medencefedelek, medenceriasztók, illetve hasonló biztonsági berendezések hasznos segítség, de nem helyettesítik a hozzáértő felnőtt általi folyamatos felügyeletet.

Biztonsági berendezések

- A medence mellett tanácsos mentőfelszerelést (pl. mentőöv) tartani.
- Tartsa működőképes telefont és a segélyhívószám-listát a medence mellett.
- A medence biztonságos használata**
- Biztasson minden felhasználót – különösen a gyermekeket – hogy tanuljanak meg úszni.
- Tanulja meg az alapszintű elsősegélynyújtást (újraélesztés – CPR), és rendszeresen frissítse ezen ismereteit. Ez vészhelyzetben életet menthet.
- Tájékoztassa az összes medencehasználót, hogy mit kell csinálni vészhelyzet esetén.
- Soha ne ugorjon sekély vízbe. Ez súlyos sérüléshez vagy halálhoz vezethet.
- Ne használja az úszómedencét, ha alkohol vagy gyógyszer hatása alatt áll, amely hatás hátrányosan befolyásolhatja a medence biztonságos használatát.
- Medencefedél használata esetén a medencébe való beszállás előtt teljesen távolítsa el azt a vízfelületről.
- A medencevíz kezelésével és jó higiéniai állapotának fenntartásával védje a medence használót a vízen keresztül elkapható betegségektől. Tekintse meg a használati útmutatóban a vízkezelési irányelveket.
- A vegyszerek (pl. vízkezelő szerek, tisztító vagy fertőtlenítő termékek) a gyermekek számára hozzáférhetetlen helyen tartandók!
- Használja az alább leírt jelzést. A jelzést feltűnő helyen kell elhelyezni, a medence 2 méteres környezetében.



- Ne hagyja a gyermekeket a vizes környezetben felügyelet nélkül. Merülni tilos!
- Az eltávolítható létrákat vízszintes felületre kell helyezni.
- Az úszómedencéhez használt anyagoktól függetlenül, a sérülések elkerülése érdekében a hozzáférhető felületeket rendszeresen ellenőrizni kell.
- A sérülések elkerülése érdekében rendszeresen ellenőrizze a csavarok állapotát, távolítsa el a sorjákat, illetve szüntesse meg az éles peremeket.
- **FIGYELEM:** Ne hagyja a leürített medencét a szabadban. A medence üres állapotban könnyen deformálódhat, illetve a medencét könnyen arébb fújhatja a szél.
- Ha van szűrőszivattyúja, részletekért tekintse meg a szivattyú kézikönyvét.
- FIGYELMEZTETÉS!** A szivattyú nem használható, ha ember van a medencében!
- Ha van létrája, részletekért tekintse meg a létra kézikönyvét.
- FIGYELMEZTETÉS!** Az úszómedence használata során tartsa be a használati és karbantartási útmutatójában foglalt biztonsági utasításokat. A fulladás, illetve egyéb súlyos sérülések megelőzése érdekében különösen figyeljen oda az úszómedence 5 éven aluli gyermekek általi nem várt hozzáféréseinek lehetőségére, és gondoskodjon arról, hogy a gyermekek ne férhessenek a medencéhez, valamint a fürdőzés ideje alatt folyamatosan felügyelje őket, vagy gondoskodjon felnőtt általi felügyelőlől.

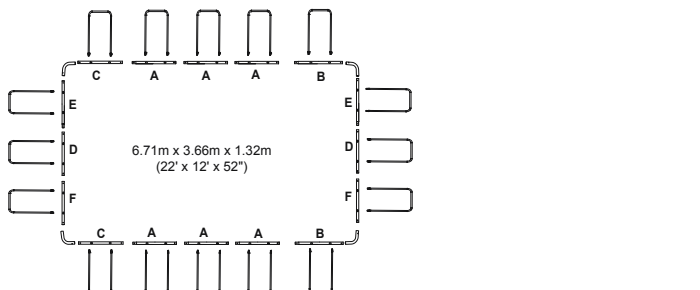
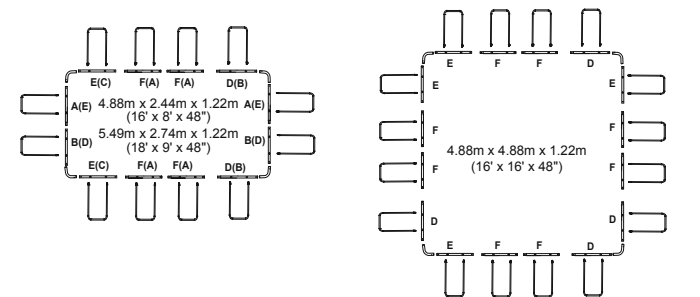
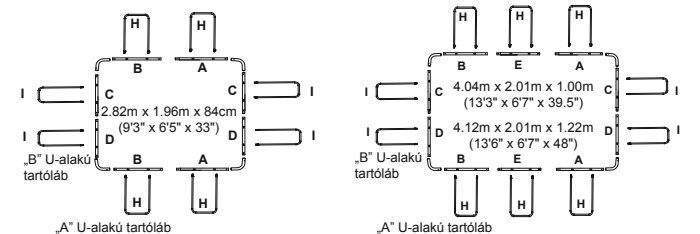
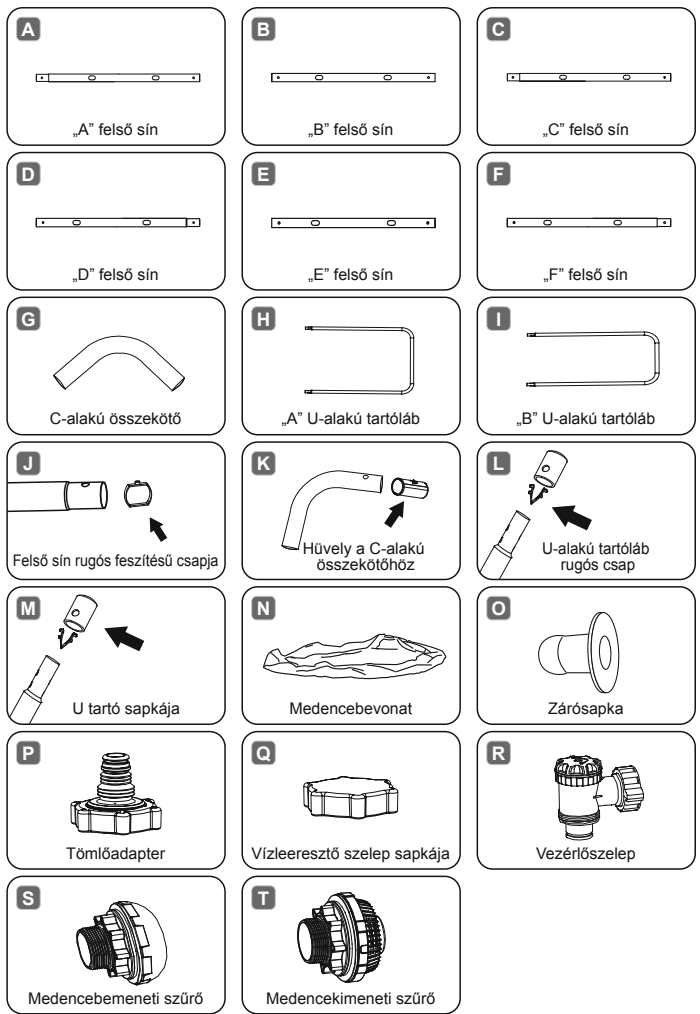
Alaposan olvassa el, és tegye félre, hogy a jövőben bármikor belenézhesen.

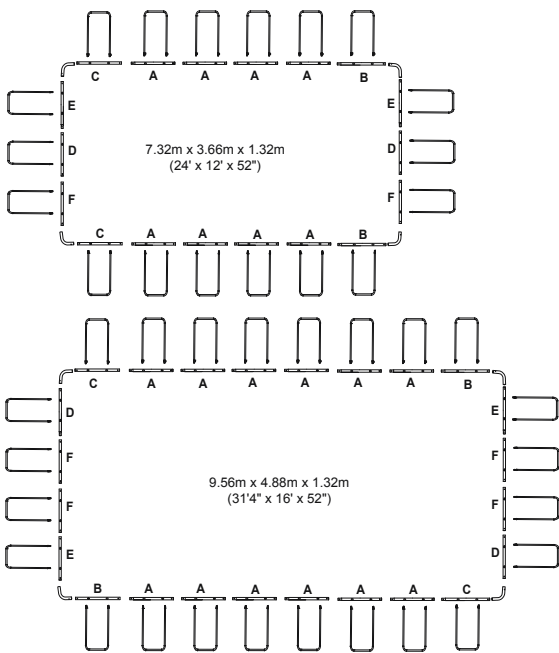
A beszerelés általában 20-30 percet vesz igénybe, ha 2-3 ember végzi a földmunkákat és a feltöltést.

Lásd az alkatrészek alábbi leírását.

Alkatrészek:

MEGJEGYZÉS: Néhány részegység eleve fel van szerelve a medencére.





MEGJEGYZÉS: Az ábra csak illusztrációként szolgál. Az ábrák nem feltétlenül a vonatkozó terméket mutatják. Nem méretarányosak.

OLVASSA EL FIGYELMESEN ÉS ŐRIZZE MEG, HOGY A KÉSŐBBIK SORÁN IS RENDELKEZÉSRE ÁLLJON.

A MEGFELELŐ HELYSZÍN KIVÁLASZTÁSA

MEGJEGYZÉS: A medencét teljesen sima és lapos felületre állítsa. Ne állítsa fel a medencét olyan helyen, ahol a talaj nem egyenletes vagy lejtős.

A medence helyes felállításának körülményei:

- A kiválasztott helynek a használat teljes időtartamában képesnek kell lennie egyenletesen megtartania a medence tömegét, továbbá a helyszínnek vízszintesnek és minden tárgytól és törmeléktől (pl. kövek és ágak) kell lennie.
- A medencét tanácsos minden olyan tárgytól távol elhelyezni, amelyeket a gyermekek a medencébe ugrásra felhasználhatnak.

MEGJEGYZÉS: Helyezze a medencét a túlfolyás vagy a medenceleürítés esetén elfolyó vizet befogadni képes, megfelelő csatornarendszer mellé.

A medencefelállítás nem megfelelő körülményei:

- Egyenetlen talajon a medence összedőlhet, ami súlyos személyi sérülést és/vagy tárgyi kárt okozhat, egyúttal a garancia, valamint a szervizjogosultság elvesztésével jár.
- A szintezéshez ne használjon homokot; szükség esetén a talajt kimarással kell egyengetni.
- Közvetlenül felső erősáramú vezetékek vagy fák alá. Győződjön meg arról, hogy a helyszínen nincsenek föld alatti közüzemi hálózati csövek, vezetékek vagy bármilyen kábelek.
- Ne állítsa fel a medencét kocsibehajtókra, fedélzeteken, emelvényeken, kavics- vagy aszfalfelületeken. A kiválasztott helyszínek elég szilárdnak kell lennie ahhoz, hogy ellenálljon a víz nyomásának – a saras, homokos, puha/laza talaj vagy kátrány nem megfelelő.
- A medence alatti fű vagy egyéb növények szag és nyálka képződése mellett el fognak pusztulni, ezért tanácsos a fűvet eltávolítani a medence kiválasztott helyszínére alól.
- Kerülje a talajtakaró szövetet vagy betétet áttörni képes agresszív növényeknek és gyomoknak kitétt területeket.

MEGJEGYZÉS: Tudakolja meg a helyi városi tanácsnál a kerítésekre, korlátokra, világításra és biztonságra vonatkozó követelményeket, és tartson be minden jogszabályi előírást.

MEGJEGYZÉS: Ha van szűrőszivattyúja, részletekért tekintse meg a szivattyú kézikönyvét.

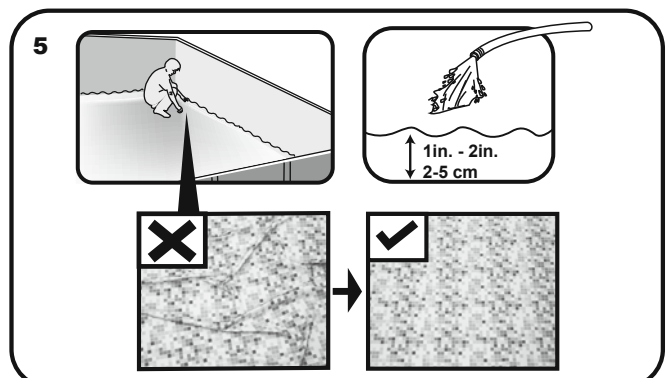
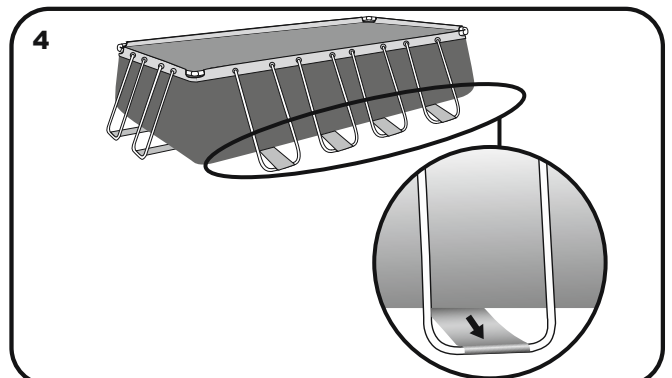
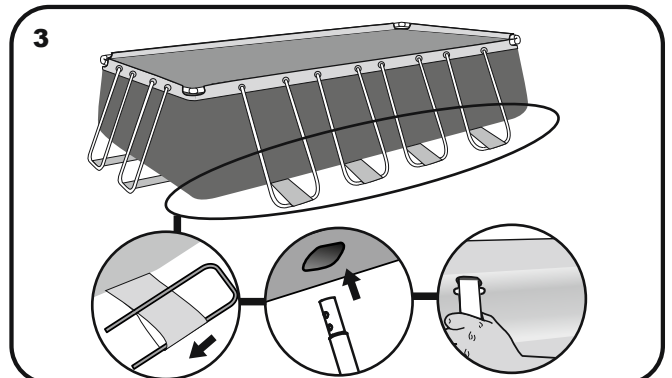
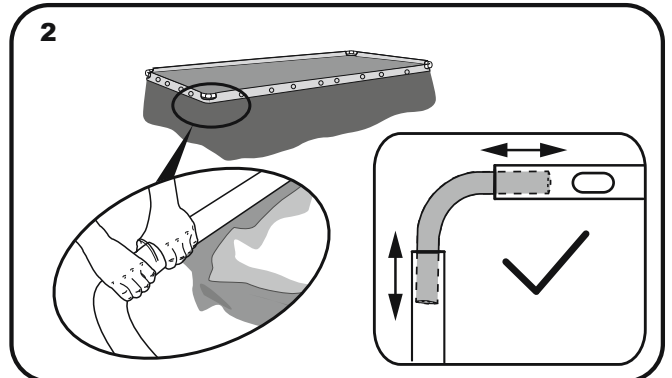
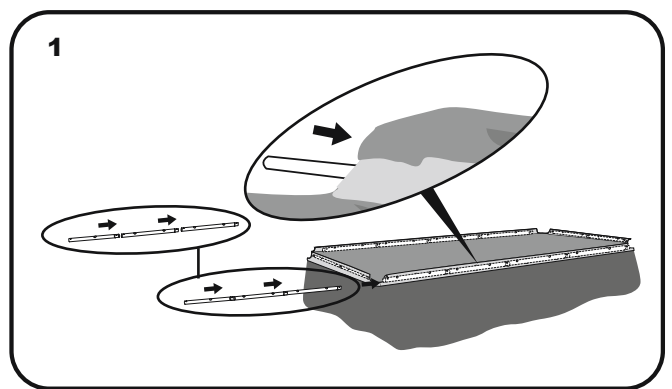
MEGJEGYZÉS: A létrának a medence méretéhez valóknak kell lennie, és azt csak a medencébe való beszállásra, illetve az abból való kiszállásra szabad használni. Tilos a létrát a maximális teherbírásánál jobban terhelni. Rendszeresen ellenőrizze, hogy a létra megfelelően van-e összeszerelve.

Összeszerelés

A téglalap alakú fémkeretes medence szerszámok nélkül összeszerelhető.

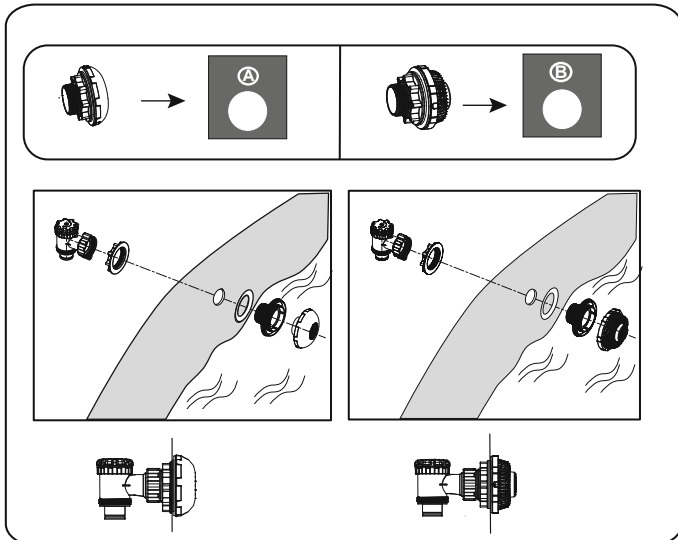
A Bestway Inflatables cég nem vállal magára felelősséget a medence nem rendeltetészerű vagy a használati utasításban foglaltaktól eltérő felhasználásából eredő esetleges károkért.

1. Rámolja ki az összes alkatrészt, és ellenőrizze, hogy mindenből meg van-e a tartozéklistában feltüntetett mennyiség. Hiányzó alkatrész esetén ne szerelje össze a medencét, hanem forduljon a Bestway ügyfélszolgálatához.
 2. Terítse szét a medencét és ellenőrizze, hogy a megfelelő oldalával legyen felfelé, hagyja a napon legalább 1 óráig, hogy a felállítása után rugalmasabb legyen.
 3. Helyezze a medencét a túlfolyó vizet befogadni képes, megfelelő csatornarendszer mellé, és gondoskodjon arról, hogy a medence „A” bemenete és „B” kimenete megfelelően van elhelyezve a szűrőszivattyú áramforráshoz való csatlakoztatásához. **Megjegyzés:** Ne használjon hosszabbítót a szivattyú áramellátásának biztosításához.
- FIGYELEM:** Ne húzza a medencét a földön, mert az megsérülhet.

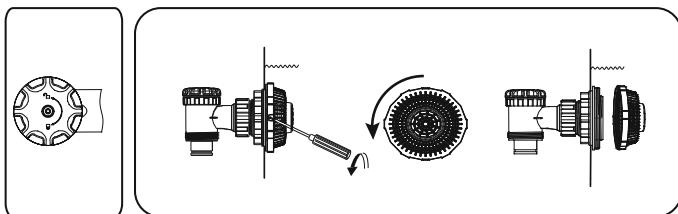


Csatlakozószelep egység

Csatlakozószeleppel ellátott medencék esetén.



MEGJEGYZÉS: Ha más medencetisztító rendszereket szeretne a medencéhez csatlakoztatni a csatlakozószelepen, csillagcsavarhúzóval szerelje le a törmelékiszűrőt a csatlakozóról.



A Medence Feltöltése Vízzel

VIGYÁZAT: A víz töltése közben a medencét ne hagyja felügyelet nélkül.

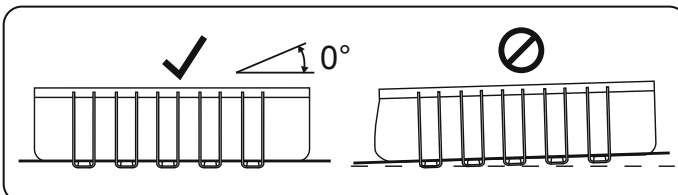
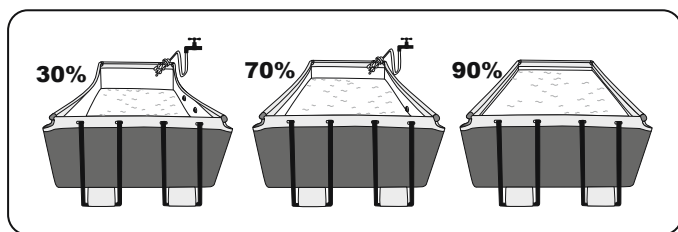
1. A medencét a térfogatának a 90%-ig töltsé meg, **NE TÖLTSE TÚL**, mivel az a medence szétesését okozhatja. Intenzív esőzések esetén szükség lehet bizonyos mennyiségű víz leeresztésére, hogy biztosítva legyen a megfelelő vízszint.
2. Ha végzett a medence feltöltésével, ellenőrizze, hogy a víz szintje a medencében mindenhol egyenlő-e. Ha a víz szintje nem egyenlő, eressze le a vizet és egyenlővé tegye a talajt ásóval.

FONTOS: Sohasem próbálja a medencét arrébb vinni, ha abban víz van, mivel az testi sérülést vagy a medence károsodását okozhatja.

FIGYELMEZTETÉS: A medencében nagy nyomás uralkodhat. Ha a medence valahol kidudorodik, vagy nem egyformák az oldalak, a medence nincs vízszintes helyzetben, az oldalai kihaladhatnak, melynek következtében a víz hirtelen kitörhet és súlyos személyi sérüléseket és/vagy anyagi károkat okozhat.

3. Check pool for any leaks at valves or seams, check ground cloth for any evident water loss. Do not add chemicals until this has been done.

MEGJEGYZÉS: Szivárgás esetén a mellékelt víz alatti öntapadós javítótapaszt segítségével ragassza meg a medencét. További információért lásd: „GYIK” c. fejezet.



NEM MEGFELELŐ KARBANTARTÁS

FIGYELMEZTETÉS: Az itt leírt karbantartási utasítások be nem tartása veszélyezteti az Ön, és különösen a gyermekek egészségét. A medencevíz kezelése alapvető fontosságú a használat biztonságára szempontjából. A nem megfelelő vegyszerhasználat tárgyi kárt és személyi sérülést okozhat.

MEGJEGYZÉS: A szivattyú a víz keringtetésére és a kis részecskék kiszűrésére szolgál. A víz tiszta és higiénikus állapotának megtartása érdekében a vízhez vegyszereket is kell adnia.

1. Javasoljuk, hogy ne töltsé fel a medencét csapadégyűjtő, fűrt kl., illetve megcsapoló kút vizével: ezek a vizek általában szerves szennyezőanyagokat (pl. nitrátok és foszfátok) tartalmaznak. Tanácsos közmű által szolgáltatott vizet használni.
2. Mindig tartsa tisztán a medencét, és használjon megfelelő medencei vegyszereket. Az egészségtelen víz komoly egészségügyi kockázatot jelent. Javasoljuk, hogy a medence kezeléséhez használjon fertőtlenítő, ülepítő, savas vagy lúgos hatású vegyszereket.
3. Rendszeresen tisztítsa meg a PVC bevonatot nem dörzshatású kefével vagy medencei porszívóval.
4. A szezon során a vízsűrőrendszernek minden nap elég hosszan kell működnie ahhoz, hogy a teljes medencevizet megtisztítsa.
5. Rendszeresen ellenőrizze a szűrőkazettát (vagy a homokszűrő homoktartalmát), és cserélje le a piszkos kazettákat (vagy távolítsa el a homokot).
6. Rendszeresen ellenőrizze a csavarokat és az összes fémkatrészt, hogy nem rozsdás-e. Szükség esetén cserélje le őket.
7. Eső esetén ellenőrizze, hogy a vízszint nincs-e magasabban a megadott szintnél. Ha a víz a megadott szint fölé megy, eressze le a medencét a megadott szintig.
8. Ne használja a szivattyút, ha a medence használatban van.
9. Ha a medencét nem használja, fedje le.
10. A medencevíz kezelése szempontjából a víz pH-értéke nagyon lényeges.

FIGYELEM: Ne hagyja a leürített medencét a szabadban.

Az alábbi paraméterekkel biztosítható a jó vízminőség.

Paraméterek	Értékek
Víz tisztaság	tisztán látni a medence alját
A víz színe	kifejezett szín nem tapasztalható
Zavarosság [FNU/NTU]	max. 1,5 (lehetőleg kevesebb mint 0,5)
A töltővíz értékét meghaladó nitrátkoncentráció [mg/l]	max. 20
Összes szerves szén (TOC) [mg/l]	max. 4,0
Redoxpotenciál Ag/AgCl és 3,5 M KCl vizes oldatában [mV]	min. 650
pH-érték	6,8 ... 7,6
Szabad aktív klór (cianursav nélkül) [mg/l]	0,3 ... 1,5
Szabad klór cianursavval kombinálva [mg/l]	1,0 ... 3,0
Cianursav [mg/l]	max. 100
Kombinált klór [mg/l]	max. 0,5 (lehetőleg kevesebb mint 0,0 mg/l)

FIGYELEM: Ne használja a szivattyút, ha a medence használatban van.

Az úszómedence használatának időszaka alatt a szűrőrendszert naponta használni kell, legalább annyi ideig, hogy biztosítsa a teljes vízmennyiség felhígítását.

Javítás

Ellenőrizze a medencét, hogy nincs-e szivárgás a szelepeknél vagy varratoknál, illetve ellenőrizze a padlószövetet, hogy nincs-e egyértelmű jele a víz elfolyásának. Ne öntsön be vegyszereket addig, amíg ezt el nem végezte.

MEGJEGYZÉS: Szivárgás esetén a mellékelt víz alatti öntapadós javítótapaszt segítségével ragassza meg a medencét. További információért lásd: „GYIK” c. fejezet.

Szét szerelés

1. Óráiránnyal ellentétesen csavarozza le és vegye le a leeresztőszelep sapkáját.
2. Csatlakoztassa az adaptert a tömlőhöz, és illessze a tömlő másik végét arra a területre, ahová a medence leeresztendő vizét folytatni szeretné. (Ellenőrizze a vízvezetésre vonatkozó helyi előírásokat).
3. Az óramutató irányában csavarja föl a tömlőadapter vezérlőgyűrűjét a leeresztőszelepre. A leeresztőszelep kinyit, a víz pedig automatikusan folyt ki kezd.

FIGYELEM: A szabályozó gyűrűvel szabályozható a víz folyása.

4. Ha végzett a leeresztéssel, csavarja le a szabályozó gyűrűt a szelep lezárásához.
5. Váltsa le a tömlőt.
6. Csavarja vissza a sapkát a leeresztőszelepre.
7. Levegőn szárítsa ki a medencét.

FIGYELEM: A leeresztett medencét ne hagyja a szabadban.

Tárolás és téliesítés

1. Távolítsa el a medence összes tartozékát és pótkatrészt, majd tisztítás és szárítás után tegye el őket.
2. Ha a medence teljesen megszáradt, a medence részeinek egymáshoz ragadása ellen szórja be hintőporral, majd gondosan hajtogassa össze a medencét. Ha a medencét nem teljesen szárazon teszi el, a medencén penész jelenhet meg, ami tönkretelheti a medencebevonatot.
3. Tárolja a bevonatot és a tartozékokat száraz, 5 ... 38 °C (41 ... 100 °F) hőmérsékletű helyen.
4. Esős időszakban a medencét és annak tartozékait szintén a fenti utasítások szerint kell tárolni.
5. A medence nem megfelelő leürítése súlyos személyi sérülést és/vagy tárgyi kárt okozhat.
6. Nagyon javasoljuk, hogy a holt szezonban (téli hónapok) szerelje szét a medencét. Tárolja száraz, gyermekek számára hozzáférhetetlen helyen.

Korlátozott BESTWAY® gyártói garancia

A vásárolt termékhez korlátozott garancia jár. A Bestway® áll a minőségi garanciák mögött és cseregaranciájával biztosítja, hogy a terméke minden gyártói hibától mentes lesz.

Az alábbi rendelkezés csak az Európai Unió tagállamaira vonatkozik. Az 1999/44/EK irányelv jogi rendelkezéseire nincs hatással a jelen BESTWAY korlátozott garancia.

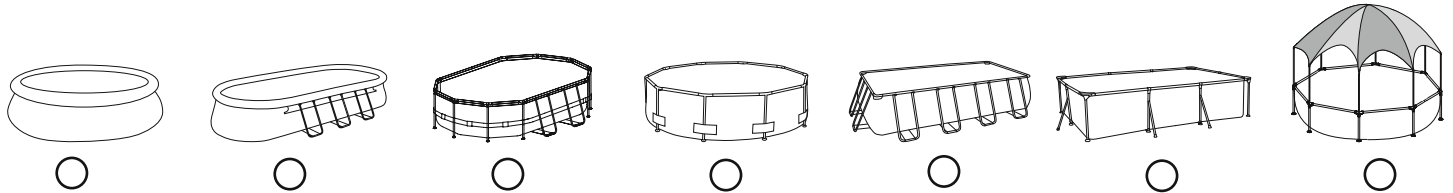
A garanciaigény érvényesítéséhez ezt az űrlapot ki kell tölteni, és a vásárlási bizonylat másolatával együtt át kell adni a Bestway ügyfélszolgálatának. Előfordulhat, hogy a garanciaigény elfogadásához a Bestway ügyfélszolgálat a hibás alkatrész egy darabjának (pl. kivágott gyártási sorozatszám / leeresztőszelep) elküldésére fogja Önt kérni. Kérjük, mindenfajta dokumentum elküldése előtt vegye fel a kapcsolatot a Bestway ügyfélszolgálatával. Tőlük mindent megtudhat arról, hogy a garanciaigény érvényesítéséhez mi szükséges.

A Bestway® nem felelős a vízzel vagy a vegyszerekkel kapcsolatos anyagi kiadások jelentette pénzügyi veszteségért. A Bestway® nem cserél olyan termékeket, melyekről úgy ítéli meg, hogy hanyagság vagy a használati útmutatóban leírtaktól eltérő használat miatt sérült meg.

A Bestway garancia a termék kicsomagolásakor vagy a terméknek a használati útmutatóban közölt korlátozások, figyelmeztetések és utasítások betartása melletti használatokor felfedezett gyártási hibákra terjed ki. Ez a garancia csak 3. fél által nem módosított termékekre vonatkozik. A terméket a műszaki ajánlásoknak megfelelően kell tárolni és kezelni.

A korlátozott garancia a fent jelzett időszakra érvényes. A garancia kezdetének időpontja az eredeti vásárlást igazoló bizonylaton lévő dátum.

Válassza ki medencéje típusát:



Vásárlás napja: _____ Ügyfélkód száma: _____

CÍMZETT: Bestway® Service Department Dátum: _____

FAX/E-MAIL/TEL.: Kérjük, a dokumentum hátoldalán vagy a weboldalunkon keresse meg az Ön országára vonatkozó adatokat: www.bestwaycorp.com

Kérjük, adja meg teljes címét. **Megjegyzés:** Ha nem a teljes címét adja meg, a szállítmány késedelmesen fog megérkezni.

A Bestway fenntartja a jogot, hogy a fogadó fél hibájából kézbesítetlen csomagok újraküldéséért díjat számoljon föl.

SZÜKSÉGES ADATOK – ADJA MEG A SZÁLLÍTÁSI CÍMET

Név: _____ Cím: _____

Irányítószám: _____ Kereskedő: _____

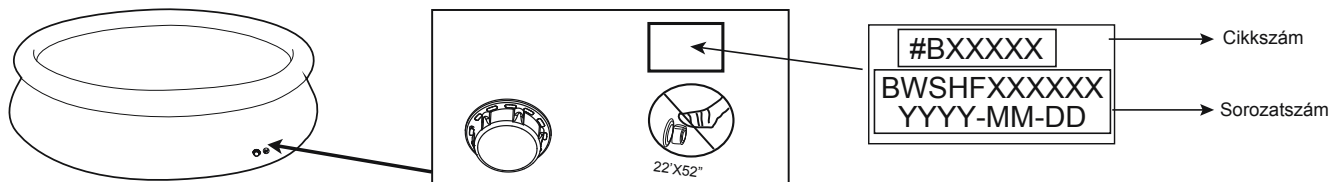
Ország: _____ Város: _____

Mobil: _____ Telefonszám: _____

Fax: _____ E-mail: _____

Jegyezze fel a leeresztőszelep mellett elhelyezett gyártási sorozatszámot és cikkszámot.

Sorozatszám: _____ Cikkszám: _____



Probléma leírása

- Elszakadt / szivárog Hibás hegesztés Hibás felső gyűrű Hibás leeresztő szelep
- Egyéb (Kérjük, írja le.) Hiányzó alkatrész (Kérjük, adja meg a hiányzó alkatrész kódját. Ezt a kezelési útmutatóban találja.)

FONTOS: CSAK A SÉRÜLT ALKATRÉSZ LESZ KICSERÉLVE, NEM A TELJES KÉSZÜLÉK.

A Bestway fenntartja a jogot, hogy fényképes bizonyítékot kérjen a hibás alkatrészekről, illetve bekérheti az alkatrészt további tesztelésre. Az Ön minél jobb kiszolgálása érdekében arra kérjük, hogy minden Ön által adott információ teljes legyen.

GY.I.K., ÚTMUTATÓK, VIDEÓK VAGY CSEREALKATRÉSZEK A WEBOLDALUNKON: www.bestwaycorp.com
VIDEÓKAT A BESTWAY YOUTUBE CSATORNÁJÁN IS TALÁL: <http://youtube.com/user/BestwayService>.

Bestway®

POWER STEEL™ REKTANGULÄRA POOLER ÄGARENS BRUKSANVISNING

Besök Bestway YouTube kanal 



VARNING

Läs noggrant, förstå, och följ all information i användarmanualen innan du installerar och använder swimmingpoolen. Dessa varningar, instruktioner och säkerhetsanvisningar handlar om några vanliga risker i samband med vattenlekar, men de täcker inte alla risker och faror för alla tillfällen. Var alltid försiktig, använd vanligt förnuft och gott omdöme när du njuter av aktiviteter i vattnet. Bevara den här informationen för framtida bruk.

Säkerhet för icke simkunniga

- För de personer som är dåliga på att simma eller inte är simkunniga (kom ihåg att barn under fem år lider största risken för drunkning) krävs det en ständig och aktiv övervakning av en vuxen person.
- Utse en vuxen person att övervaka poolen varje gång den används.
- Dåliga simmare eller ej simkunniga personer bör använd personlig räddningsutrustning när de använder poolen.
- När poolen inte används, eller om den är oövervakad, ta då bort alla leksaker från swimmingpoolen och runt omkring den för att undvika att barn dras till poolen.

Säkerhetsanordningar

- För att undvika drunkningsolyckor med barn rekommenderar vi att säkra tillträdet till poolen med en skyddsanordning.
- För att undvika att barn klättrar från inloppsventilen och utloppsventilen rekommenderar vi att ett hinder installeras (och att säkra alla dörrar och fönster där det är möjligt) för att undvika att icke behöriga personer får tillträde till swimmingpoolen.
- Hinder, poolöverdrag, poolalarm, eller liknande säkerhetsanordningar är bra hjälpmedel, men de ersätter inte en ständig och kompetent övervakning av en vuxen person.

Säkerhetsutrustning

- Vi rekommenderar att ha räddningsutrustning (ex. livboj) bredvid poolen.
- Förvara en fungerande telefon och en lista på nödnummer bredvid poolen.

Säker användning av poolen

- Uppmuntra alla användarna, framförallt barnen, att lära sig att simma.
- Lär dig grundläggande livsupphållande åtgärder (hjärt- och lungräddning - CPR) och uppdatera denna kunskap regelmässigt. Detta kan utgöra skillnaden vid en livräddning i en nödsituation.
- Ge alla användarna, inklusive barnen, instruktioner om vad man ska göra i händelse av en nödsituation.
- Dyk aldrig i grunt vatten. Det kan leda till allvarliga skador eller till döden.
- Gå inte i swimmingpoolen när du har druckit alkohol eller tagit medicin som kan försämra din förmåga att använda poolen på ett säkert sätt.
- Om poolöverdrag finns på poolen, ta då bort det fullständigt från vattenytan innan du går i poolen.
- Skydda poolanvändarna från vattenrelaterade sjukdomar genom att behandla poolvattnet och genom att praktisera en god hygien. Läs i användarmanualen om riktlinjerna för vattenbehandlingsanordningar.
- Förvara kemikalier (t.ex. vattenbehandling, rengörings- och desinfekteringsprodukter) oåtkomliga för barn.
- Använd nedanstående skyltar. Skyltarna ska finnas på en framträdande plats inte längre än 2 meter från poolen.



- Håll barnen under uppsikt i vattenområdet. Ingen dykning.
- Flyttbara stegar ska placeras på en horisontell yta.
- Oavsett det material som använts för tillverkning av poolen, måste alla tillgängliga ytor regelbundet kontrolleras för att undvika skador.
- Kontrollera regelbundet bultar och skruvar, ta bort flisor eller vassa kanter för att undvika skador.
- **VAR UPPMÄRKSAM PÅ:** Lämna inte den tomma poolen utomhus. Den tomma poolen riskerar att bli deformerad och/eller förflyttad pga. vinden.
- Om du har en filter pump, läs då i pumpmanualen för vidare instruktioner.
VARNING! Pumpen får inte användas då det finns människokorut i poolen!
- Om du har en stega, läs då stegens manual för vidare instruktioner.
VARNING! Användningen av en swimmingpool innebär samtycke till säkerhetsinstruktionerna som beskrivs i användar- och underhållsmanualen. För att undvika drunkning och andra allvarliga händelser, måste man vara särskilt försiktig när det gäller risken att barn under 5 år får oförutsett tillträde till swimmingpoolen. Säkra tillträdet till poolen och håll barnen under konstant uppsikt av en vuxen under badtillfällena.

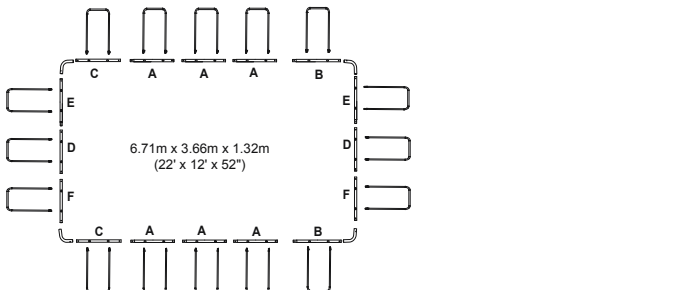
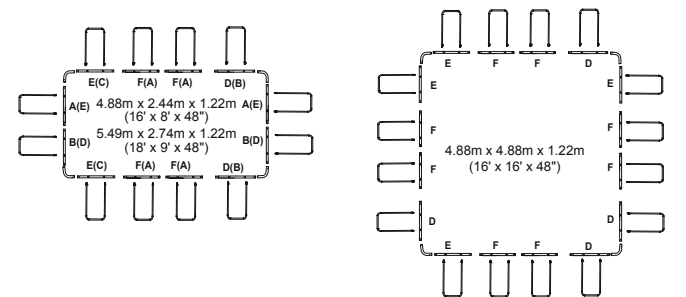
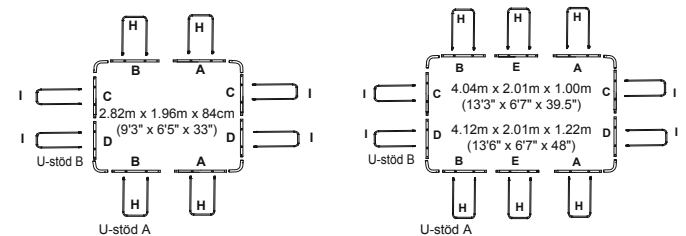
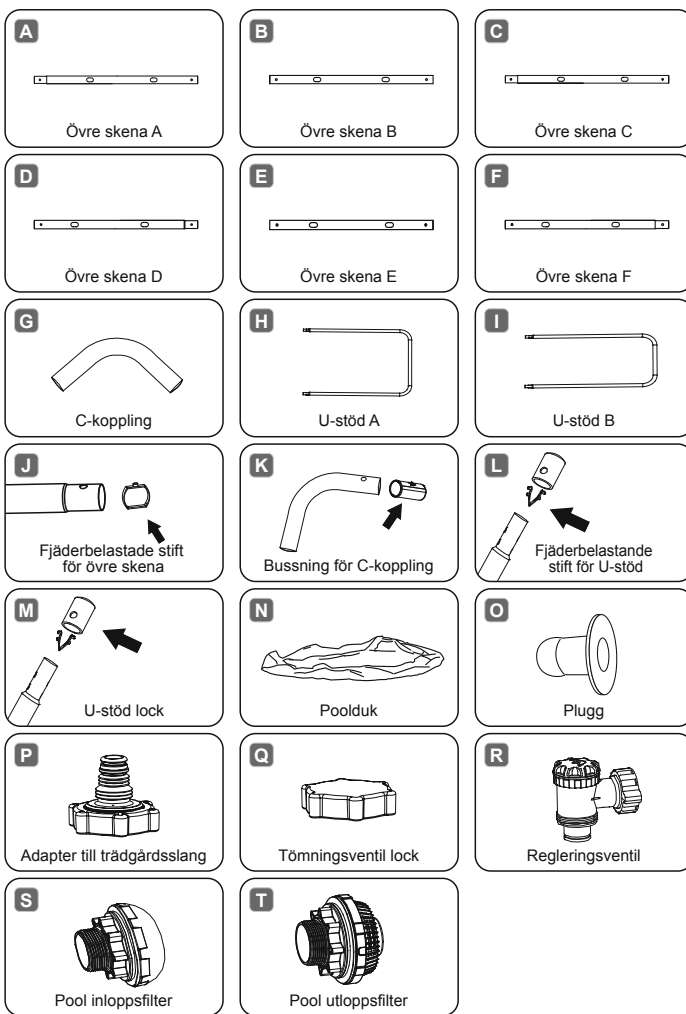
Läs noggrant och bevara för framtida behov.

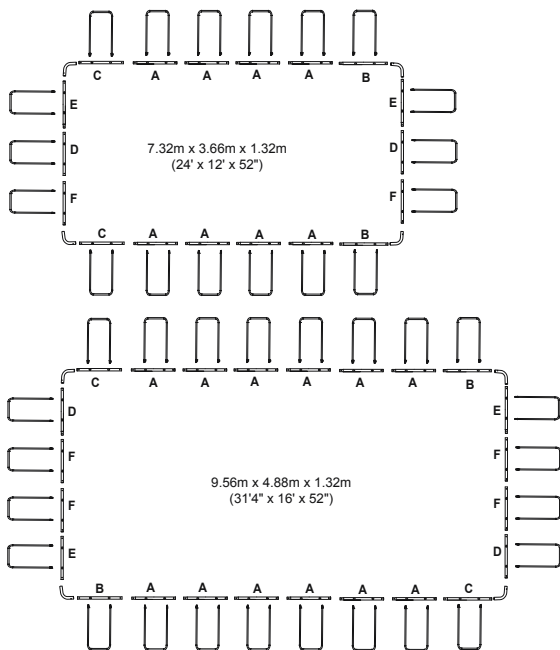
Installationen tar vanligtvis ungefär 20-30 minuter med 2-3 personer, men omfattar då inte markarbetet och fyllning.

Se nedan för en beskrivning av delarna.

Komponentlista:

OBS! Vissa delar redan har installerats på poolen.





OBS! Bilderna är endast i illustrerande syfte. Behöver inte motsvara faktisk produkt. Ej skalening.

LÄS DESSA ANVISNINGAR NOGGRANT OCH SPARA FÖR FRAMTIDA REFERENS.

VÄLJ RÄTT PLATS

OBSERVERA: Poolen måste placeras på en helt platt och jämn yta. Installera inte poolen om ytan lutar eller är sned.

Korrekt omgivning för att sätta upp poolen:

- Den valda platsen måste enhetligt kunna klara vikten under poolens hela installationstid, samt vara platt och alla objekt eller skräp, såsom stenar eller kvistar, måste ha rensats bort.
- Vi rekommenderar att placera poolen där det saknas objekt som barn kan klättra upp på för att ta sig i poolen.

OBSERVERA: Placera poolen när ett lämpligt dräneringssystem för att kunna hantera översvämningar och tömning av poolen.

Inkorrekt omgivning för att sätta upp poolen:

- En ojämn markyta kan orsaka att poolen kollapsar och leda till allvarliga personskador och/eller skador på personliga tillhörigheter samt upphäva garantin och förhindra krav på service.
- Sand bör inte användas för att skapa en jämn grund, om nödvändigt bör grunden grävas ut.
- Direkt under luftledningar eller träd. Se till att platsen inte innehåller underjordiska allmännyttiga ledningar, eller ledningar eller kablar av annan sort.
- Installera inte poolen på infarter, däck, plattformar, grus- eller asfaltytor. Den valda platsen bör vara fast nog att kunna motstå trycket från vattnet. Lera, sand, mjuk eller lös jord eller tjära passar inte.
- Gräs eller annan vegetation under poolen kan dö och orsaka utveckling av lukt eller slam, vi rekommenderar därför att man avlägsnar allt gräs från platsen där poolen skall installeras.
- Undvik plaster som tendererar att ha aggressiva växt- och ogräsarter som kan växa igenom markduken eller fodret.

OBSERVERA: Hör med lokala myndigheter gällande stadgar för uppsättning av stängsel, barriärer, belysning samt säkerhetsregleringar och se till att du följer lagen.

OBSERVERA: Om du har en filterpump, se pumpens manual för instruktioner.

OBSERVERA: Stegen måste passa poolstorleken och bör endast användas för att ta sig in och ut ur poolen. Det är förbjudet att överskrida stegens tillåtna belastning. Kontrollera regelbundet att stegen är ordentligt monterade.

Installation

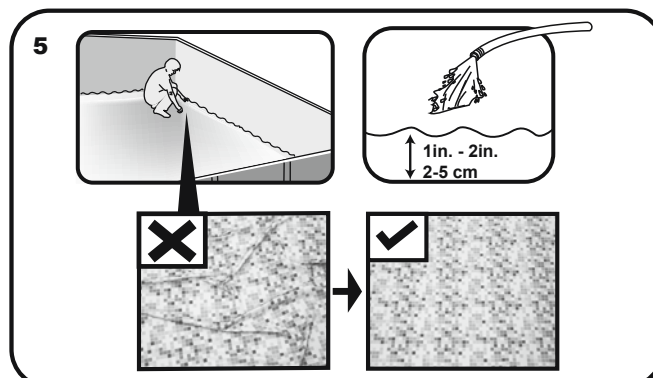
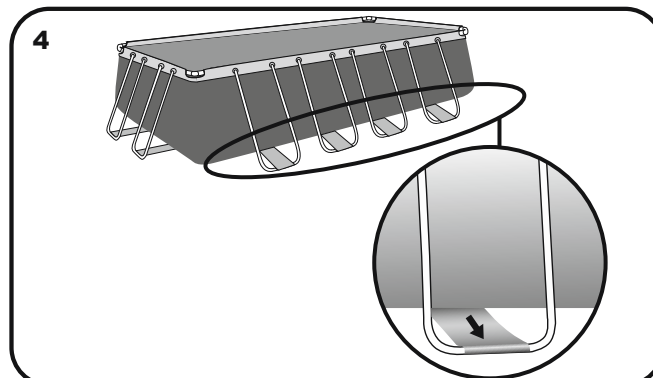
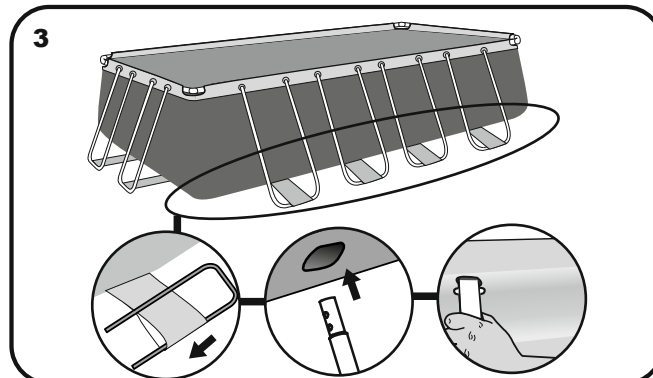
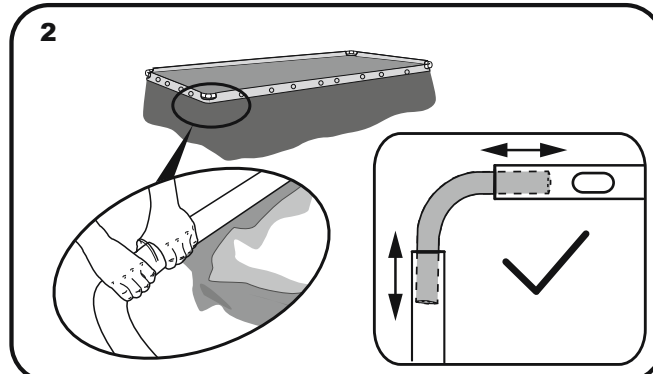
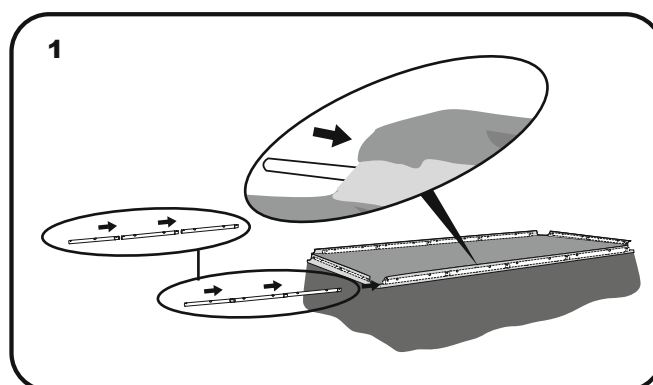
Det går att montera simbassängen utan verktyg.

Bestway Inflatables ansvarar inte för skador på poolen om de uppstår på grund av felaktig hantering eller om man inte följer dessa instruktioner.

1. Lägg fram alla delar och kontrollera att du har rätt antal enligt komponentlistan. Montera inte poolen om du saknar någon del utan kontakta Bestways kundtjänst.
2. Lägg ut poolen och se till att rätt sida är värd uppåt. Låt den ligga i solen i minst 1 timme så att den blir mjukare att installera.
3. Placera poolen nära ett lämpligt dräneringssystem som kan ta hand om överflödigt vatten. Försäkra dig om att poolens ingång A och utgång B är korrekt positionerade så att filterpumpen kan anslutas till en strömkälla.

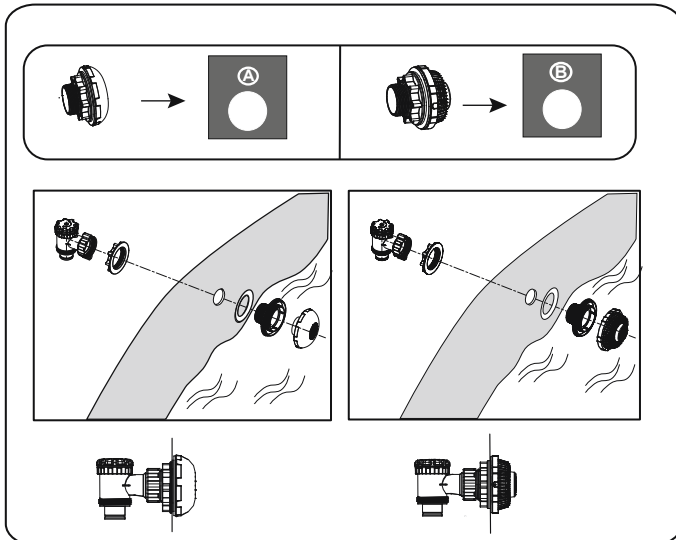
OBS: Använd inte förlängningssladdar för att förse din pump med elektricitet.

WARNING: Dra inte poolen på marken eftersom detta kan skada poolen.

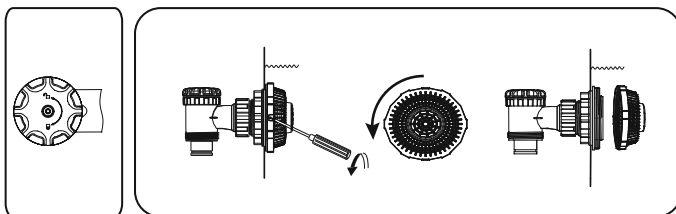


Montering av kopplingsventil

För pool med anslutningsventil.



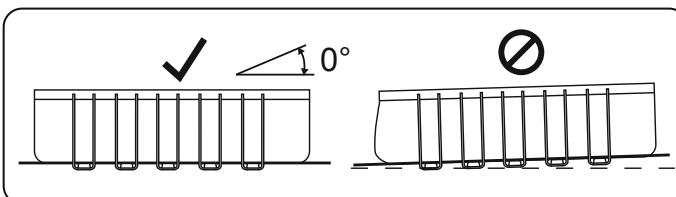
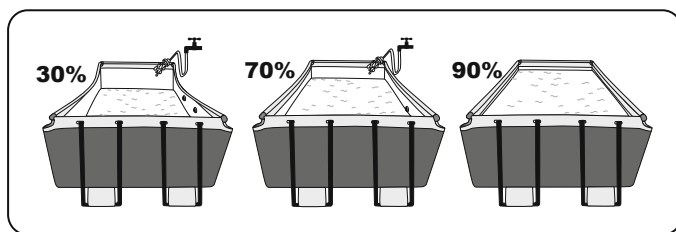
OBS! Om du vill koppla till andra rengöringskit till poolen via kopplingsventilen, använd en stjärnskruvmejsel för att demontera skräpfiltret från kopplingen.



Att fylla poolen med vatten

OBS: Lämna inte poolen utan tillsyn då den är fylld med vatten.

- Fyll poolen tills vattenkapaciteten är 90%. Fyll den **INTE FÖR MYCKET** eftersom det kan göra så att poolen kollapsar. Vid häftiga regnfall kan du behöva tömma ut lite vatten för att se till att nivån är korrekt.
- När fyllningen av poolen avslutats, kontrollera att vattnet inte samlas på någon av sidorna för att se till att poolen är jämn.
VIKTIGT: Om poolen inte är jämn ska du tömma ut vattnet och göra marken jämn genom att gräva ut den. Försök aldrig flytta poolen om den innehåller vatten. Annars kan allvariga personskador eller materiella skador uppstå.
WARNING: Din pool kan ha ett högt tryck. Om din pool buktar ut eller har en ojämn sida så står den inte jämnt, sidorna kan spricka och vatten kan plötsligt forsra ut och orsaka allvarig personskada och eller skada på egendom.
- Kontrollera om det finns läckage vid ventilerna eller sömmarna och kontrollera underlagsduken för att upptäcka eventuella ymniga vattenförluster. Tillsätt inga kemikalier innan du gjort detta.
OBSERVERA: I händelse av en läcka, lappa din pool med hjälp av reparationslappen med undervattensklister som tillhandahålls. Se avsnittet med vanliga frågor för ytterligare information.



POOLENS UNDERHÅLL

WARNING: Om du inte följer riktlinjerna i vår underhållsmanual, kan du äventyra din hälsa och framförallt barnens hälsa. Behandling av poolvattnet är nödvändigt för användarnas säkerhet. Genom att använda kemikalier felaktigt kan det orsaka egendomsskada och personskador.

- OBS!** Pumpen används för att vattnet ska cirkulera och för att filtrera små partiklar. För att ditt poolvatten ska förbli rent och hygieniskt måste du även tillsätta kemikalier.
- Vi rekommenderar inte att fylla din pool med regnvatten, brunsvatten, eller dräneringsbrunnsvatten: dessa typer av vatten innehåller vanligtvis förorenade organiska substanser däribland nitrater och fosfater. Vi råder er att fylla poolen med vatten från det allmänna vattennätet.
 - Se till att alltid hålla poolen ren och använd korrekta kemikalier. Ohälsosamt vatten är en allvarig hälsorisk. Vi rekommenderar att du använder desinfektionsmedel, flockningsmedel, syre eller alkaliska kemikalier för att behandla din pool.
 - Rengör PVC linern regelbundet med en icke slipande borste en pooldammsugare.
 - Vattnets filtreringssystem måste under hela säsongen vara i funktion tillräckligt länge varje dag för att göra ren hela poolens vattenvolym.
 - Kontrollera filterpatronen (eller sanden i sandfiltret) regelbundet och byt ut smutsiga patroner (eller sand).
 - Kontrollera om det finns rost på skruvarna, bultarna och alla metalldelar. Byt ut vid behov.
 - Om det regnar, kontrollera då att vattennivån inte är högre än den angivna nivån. Om vattnet överskrider den angivna nivån måste poolen tömmas på vatten tills nivån är korrekt.
 - Använd inte pumpen när poolen används.
 - Täck poolen då den inte används.
 - Vattnets pH värde är mycket viktigt när det gäller vattnets behandling.

BEAKTA FÖLJANDE: Lämna inte en tömd pool utomhus.

Följande parametrar garanterar god vattenkvalitet

Parametrar	Värden
Vattnets klarhet	Att man ser poolens botten tydligt
Vattnets färg	Ingen färg bör noteras
Grumlighet mätt i FNU/NTU	max. 1,5 (helst lägre än 0,5)
Koncentration av nitrit jämte den av fyllt vatten mg/l	max. 20
Totalt organiskt kol (TOC) i mg/l	max. 4,0
Redoxpotential mot Ag/AgCl 3,5 m KCl imV	min. 650
pH värde	6,8 till 7,6
Fritt verksamt klor (utancyanursyra) i mg/l	0,3 till 1,5
Fritt klor använt i kombination med cyanursyra i mg/l	1,0 till 3,0
Cyanursyra i mg/l	max. 100
Kombinerat klor i mg/l	max. 0,5 (helst nära 0,0 mg/l)

OBS! Använd inte pumpen när poolen är i bruk.

Under badsäsongen måste filtersystemet vara igång dagligen, tillräckligt lång tid för att garantera att allt vatten bytts ut.

Reparation

Kontrollera poolen för eventuella läckage från ventiler eller sömmar, kontrollera markduken för någon synlig vattenskada. Tillsätt inga kemikalier innan detta har utförts.

OBS! I händelse av en läcka, lappa din pool med hjälp av reparationslappen med undervattensklister som tillhandahålls. Se avsnittet med vanliga frågor för ytterligare information.

Nedmontering

- Skruva loss locket på tömningsventilen motsols och ta bort.
- Anslut adaptern till slangens och placera den andra änden av slangens där du kommer att tömma poolen. (Kontrollera lokala regelverk och förordningar för avtappning).
- Skruva i kontrollringen för slangadaptern medsols på dräneringsventilen. Dräneringsventilen öppnas och vatten dräneras automatiskt.
OBS! Vattenflöde kan kontrolleras via kontrollringen.
- När dräneringen är klar, skruva ur kontrollringen för att stänga ventilen.
- Koppla loss slangens.
- Skruva på locket på dräneringsventilen.
- Lufttorka poolen.
OBS! Lämna inte den tömda poolen utomhus.

Förvaring och vinterförvaring

- Ta bort alla tillbehör och reservdelar på poolen och förvara dem rent och torr.
- När poolen är fullständigt torr, pudra över talkpuder för att undvika att poolen klistras samman. Vik poolen noggrant. Om poolen inte är fullständigt torr kan det resultera i mögel, vilket skadar poolinern.
- Förvara linern och tillbehör på en torr plats med moderat temperatur mellan 5°C / 41°F och 38°C / 100°F.
- Under den regniga årstiden, ska poolen och tillbehören också förvaras som ovan beskrivet.
- Felaktig tömning av poolen kan orsaka allvariga personskador och/eller personliga egendomsskador.
- Vi rekommenderar absolut att poolen ska monteras ned under lågsäsongen (vintermånader na). Förvaras på en torr plats utom räckhåll för barn.

Begränsad BESTWAY® tillverkargaranti

Produkten du har köpt levereras med en begränsad garanti. Bestway® står bakom sin kvalitetsgaranti och försäkrar, genom en utbytesgaranti, att din produkt kommer att vara fri från tillverkningsfel.

Följande villkor gäller enbart för länder i EU: Den rättsliga regleringen i direktiv 1999/44/EC berörs ej av BESTWAYs garanti.

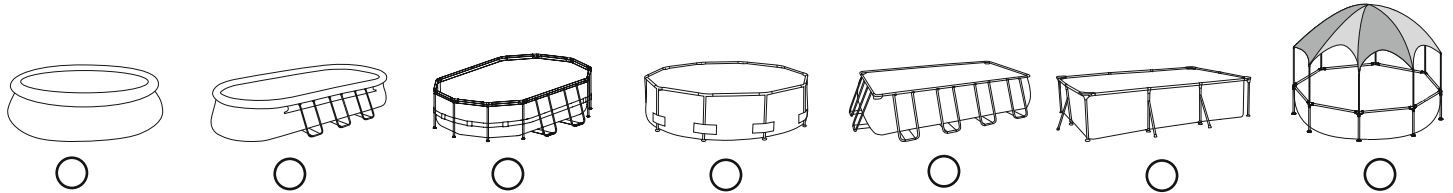
För att göra ett garantianspråk måste detta formulär fyllas i och skickas in med en kopia av ditt inköpskvitto till ditt lokala Bestway-servicecenter. Innan eventuella krav kan godtas, kan Bestway-servicecenter be dig att skicka en bit av den defekta delen till centret (t.ex. en utskärning av produktionsbatchnummer / dräneringsventil). Ta kontakt med din lokala Bestway-servicecenter för instruktioner innan några dokument skickas. De kommer att ge dig instruktioner om vad du behöver för ditt anspråk.

Bestway® ansvarar inte för ekonomiska förluster på grund av vatten- eller kemikaliekostnader. Bestway® kommer inte att ersätta några produkter som anses ha skadats på grund av försummelse eller ha använts utanför ägarhandledningens riktlinjer.

Bestway garanti täcker tillverkningsfel som upptäcks vid uppäckning av produkten eller under användning, inom ramen för användning och respekt för varningar och anvisningar i bruksanvisningen. Den här garantin gäller endast produkter som inte har ändrats av någon tredje part. Produkten måste lagras och hanteras i enlighet med tekniska rekommendationer.

Garantin är giltig för den period som anges ovan. Garantins startdatum är det försäljningsdatum som visas på originalkvittot / inköpskvittot.

Vänligen välj din typ av pool:



Inköpsdatum: _____ Kundnummer: _____

TILL: Bestway® Service Department Datum: _____

FAX/E-POST/TEL: Se ditt land enligt den information du hittar på baksidan eller på vår hemsida: www.bestwaycorp.com

Ange dina fullständiga adressuppgifter. **OBS!** Ofullständiga adressuppgifter kommer att leda till försenade leveranser.

Bestway förbehåller sig rätten att ta betalt för återleverans av olevererade paket där felet ligger hos mottagaren.

OBLIGATORISKA UPPGIFTER – SKRIV LEVERANSADRESS

Namn: _____ Adress: _____

Postnummer: _____ Återförsäljare: _____

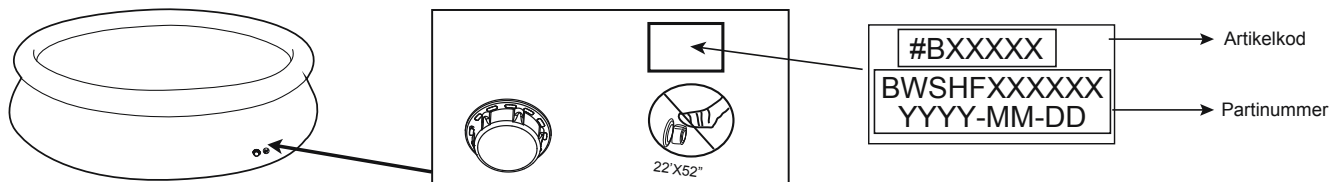
Land: _____ Stad: _____

Mobiltelefonnummer: _____ Telefonnummer: _____

Fax: _____ E-post: _____

Var vänlig och fyll i partinummer och artikelkod som finns bredvid tömningsventilen

Partinummer: _____ Artikelkod: _____



Problembeskrivning

Objektet är trasigt/läcker Fel i fogar Felaktig övre ring Fel på tömningsventil

Annat (vänligen beskriv vad) Saknade delar (Använd koden för den saknade delen. Den du hittar i manualen.)

VIKTIGT: ENDAST SKADADE DELAR KOMMER ATT ERSÄTTAS, INTE HELA PAKETET.

Bestway förbehåller sig rätten att kräva fotografiskt bevis för defekta delar eller att kräva att föremålet skickas för testning.

För att kunna hjälpa dig på bästa sätt ber vi dig att se till att alla uppgifter du anger är kompletta.

FÖR FAQ, MANUALER, FILMER OCH RESERVDELAR, BESÖK VÅR HEMSIDA: www.bestwaycorp.com
FILMER FINNS ÄVEN TILLGÄNGLIGA PÅ VÅR BESTWAY-KANAL PÅ YOUTUBE: <http://youtube.com/user/BestwayService>.

Bestway®